

## User's Setup Guide

### Included Items:

The following items are included in the carton:

- Ribbon Cartridge
- Power Cord
- User's Setup Guide
- Repacking Strips

Quick Set Up Guide



Ribbon Cartridge



Power Cable



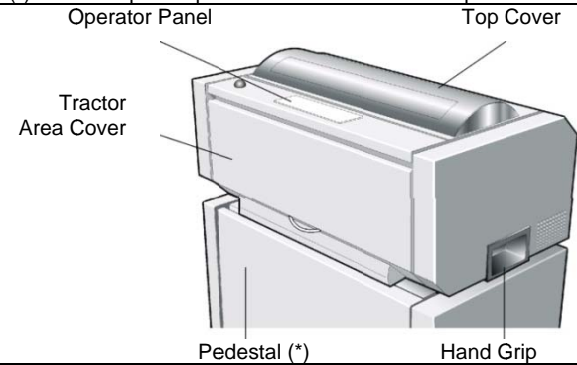
Repacking Strips



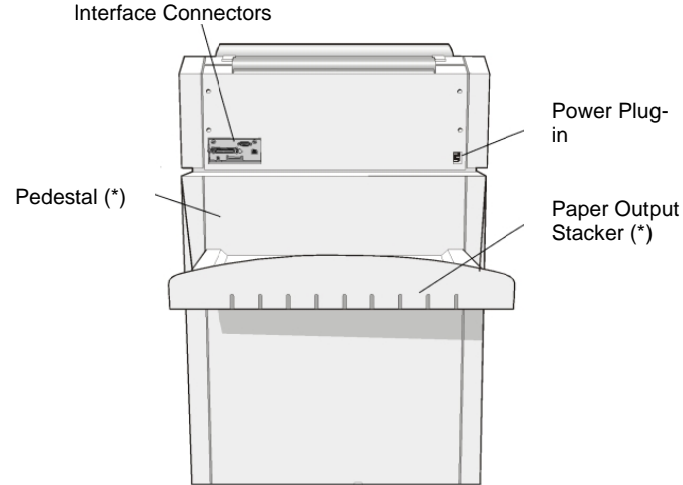
### Components

#### Front View

(\* Note: the printer pedestal is available as an option)



#### Rear View



### Connecting the Ground Cable

For the printer model with the enclosed pedestal option, connect the ground cable in the interface area on the rear side of the printer cabinet

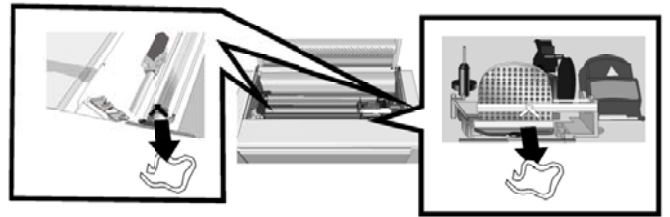
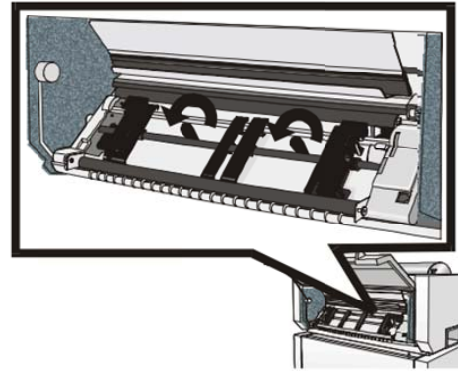
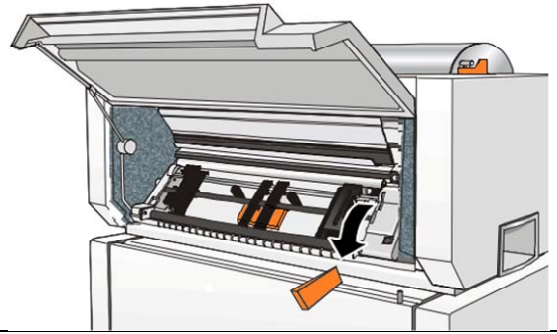


**If the printer is installed on a table, it is not necessary to connect the ground cable.**

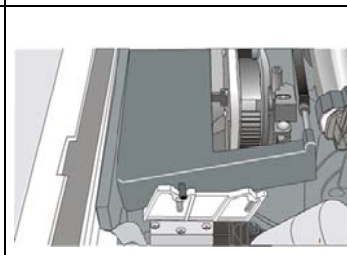
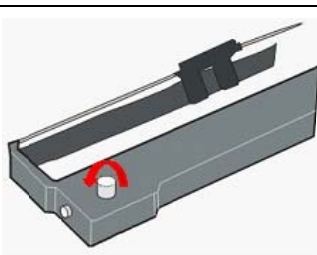
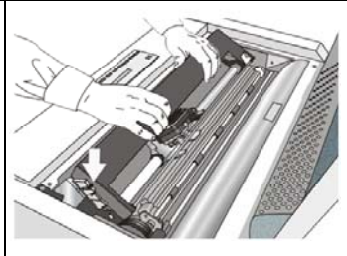
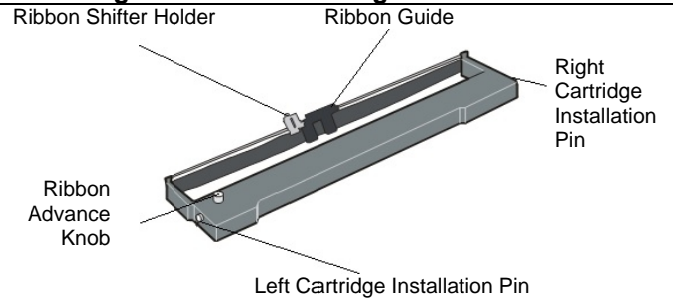
### Removing the Shipment Locks

1. Open the tractor area cover and make sure that you remove all orange shipping locks.

2. Remove the two knurled shipping lock screws.
3. Remove the carton safety strips from both top cover sides.
4. Open the upper printer cover and remove the fixing strip from the print head and from the bail (two strips).
5. Remove desiccant bag.

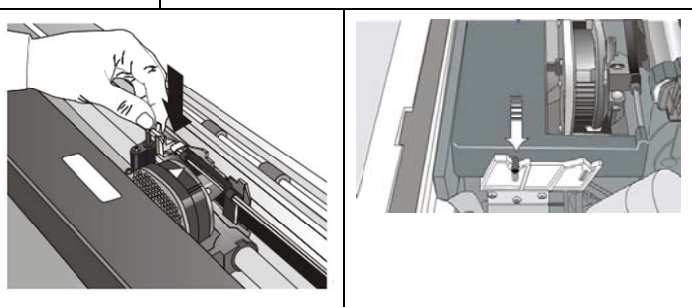
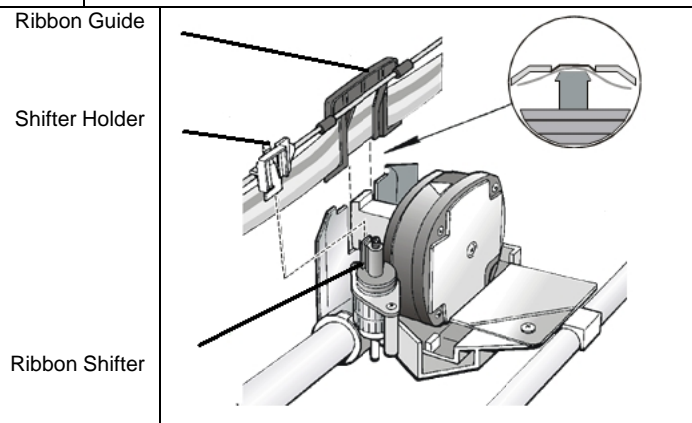
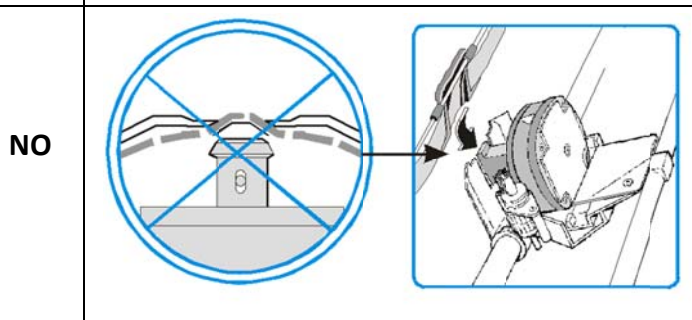
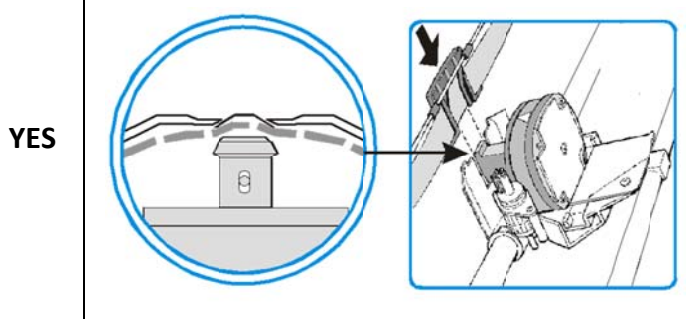


### Installing the Ribbon Cartridge





**Make sure the ribbon is inserted correctly between the print head noose and the print head mask.**



We recommend that you use a Genuine Printronix ribbon cartridge. To install the ribbon cartridge, follow these steps:

1. Remove the ribbon cartridge from the package. Locate the ribbon guide, snap arm, ribbon advance knob, and the ribbon mounting pins.
2. Turn the ribbon advance knob in the direction of the arrow to take up any slack in the ribbon. If the ribbon does not move, contact your place of ribbon purchase to replace the ribbon cartridge.
3. Open the top cover using the small handles on either side of the top cover.
4. Slide the print head to the center of the printer.
5. Align the cartridge pins with the locking grooves on the left and

right cartridge supports.

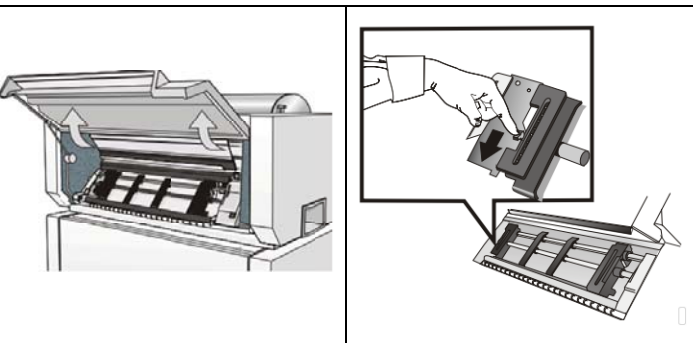
6. Position the ribbon guide over the print head, holding it perpendicular to the print head.
7. Turn the ribbon advance knob to take up any slack in the ribbon.
8. Position the snap arm with the small lever up onto the ribbon lift assembly. Push the snap arm down onto the ribbon lift assembly until it snaps into place.
9. Align the ribbon mounting pins on the left and right side of the ribbon cartridge with the slots in the cartridge supports. Snap the ribbon cartridge down into place.
10. Turn the ribbon advance knob again in the direction of the arrow to take up any slack in the ribbon, as you slide the print head back and forth to ensure that the ribbon guide runs freely along the ribbon.
11. If the ribbon is not running freely, or to ensure that you have installed the ribbon cartridge correctly, ensure that:
  - a. The left and right ribbon mounting pins are securely snapped into the cartridge supports.
  - b. There are not twists or folds in the ribbon.
  - c. The ribbon is not catching on the print head.
  - d. The ribbon moves when you turn the ribbon advance knob in the direction of the arrow. If the ribbon does not move, replace the ribbon cartridge. Contact your place of ribbon cartridge purchase if you believe that the ribbon is faulty.
12. Close the top printer cover.

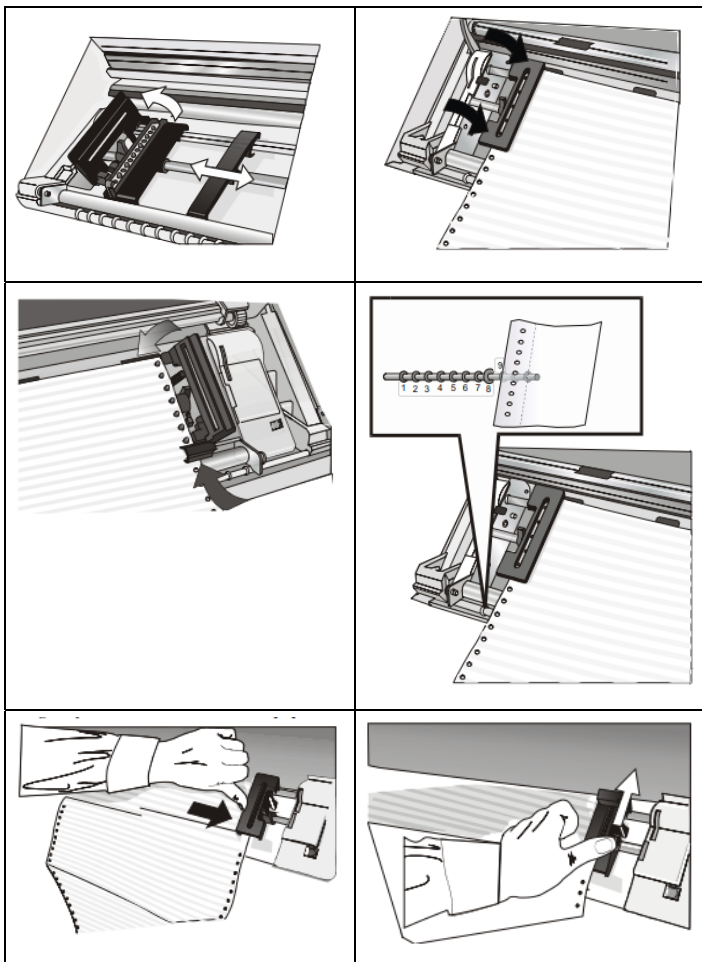
### Loading Fanfold Paper

This sequence describes how to load the fanfold paper with the push tractor (default). For the other paper paths please see the Administrator's Manual at Printronix.com.

1. Turn the printer on.
2. Lift up Tractor Area Cover.
3. Open the Push tractors cover turning it upwards and lay it on the top of the printer.
4. Unlock the tractors by moving the sprocket levers up. Slide the left tractor to the left.
5. Space the paper guides along the tractor bar. Open the left and right sprocket covers.
6. Hold the fanfold paper in front of the sprockets and insert the paper perforation on the left sprocket pins and close the left sprocket cover.
7. Insert the paper on the right sprocket pins and make sure the paper is under the paper sensor, and close the right sprocket cover.
8. Match the left sprocket for the first printing position, that is the left margin must match the 9<sup>th</sup> mark on the printer cabinet.
 

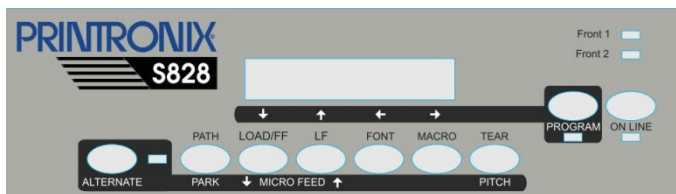
Note: Aligning the left-hand edge of the paper past the 22<sup>nd</sup> spacer on the printer cabinet will cause the paper to be misaligned with the Paper Load Sensor resulting in a LOAD PAPER error.
9. Adjust the right sprocket gently to remove slack from the paper. Lock the left and right sprockets moving the sprocket levers to the up position.
10. Close the Push tractors cover.
11. Close Tractor area cover.
12. Press the **READY** key to take the printer Not Ready.
13. Press the **LOAD/EJECT** key to load the paper into the printer.
14. Press the **READY** key to put the printer Ready.





### Operator Panel

The operator panel contains 5 status indicators, a 1-line by 16-character display panel, 9 printer function keys, and an audible alarm as indicated in the figure below. For indicators and function keys there is a short description. For details see User's Guide.



### Indicators

<b>ALTERNATE</b>	Lit when the alternate function of the keys has been enabled pressing the ALTERNATE key
<b>PROGRAM</b>	Blinks when one of the printer set up procedures has been selected: Program Configuration or Power-On Configuration
<b>ON LINE</b>	Lit when the printer can receive and print data (printer on line). Blinks when there is data in the buffer and the printer is off line. Unlit when the printer is disabled and the buffer does not contain any data, or during the initialization, setup or tests
<b>FRONT 1</b>	Lit when the Front1 paper path is selected.
<b>FRONT 2</b>	Lit when the Front2 paper path is selected.

### Keys

Pressing the function keys it is possible to activate the functions indicated by the word or symbol signed near the key. Each key may have different functions, according to the selected function modes: Normal, Alternate or Program.

Status	Normal	Alternate	Program
<b>ON LINE</b>	Enables or disables the printer. -If this key is pressed while powering the printer on, the self test is printed; the printout is stopped pressing this key again.		Pressing this key, the input buffer is clear and a break (250msec.) on a serial interface is sent. The message

	-In an error condition, once the error cause has been removed, press this key to enable the printer		RESET&BREAK is displayed
<b>PROGRAM</b>	Enables the printer setups as follows: -Pressing this key while powering on the printer, the Power-On Configuration is selected. -Pressing this key when the printer is enabled without printing or disabled the Program Setup Is enabled (PROGRAM indicator lit).		Exits the printer setups.
<b>TEAR</b>	Moves the paper to the tear-off position (TEAR NORMAL function must be selected in the Program Setup).		Selects the pitch to be used with the currently selected font. The selected pitch is valid until the printer is turned off.
<b>MACRO ▶</b>	Selects one of the user macros (Macro1, Macro2, Macro3 or Macro4). If you want to select the displayed macro, wait for 2 seconds without pressing any key and the parameters of this macro will be set.		Scrolls the parameters of the functions or macros forwards.
<b>FONT ◀</b>	Selects the font to be used with the currently selected pitch. The selected font is valid until the printer is turned off or a new font is selected using this key.		Scrolls the parameters of the functions or macros backwards.
<b>LF MICROFEED ▲</b>	Performs a line feed according to the current line spacing settings.	Moves the paper forward in micro steps. Keeping the key pressed the paper is moved continuously at increasing speed.	Scrolls the setup and macro functions backwards.
<b>LOAD/FF MICROFEED ▼</b>	Executes a FormFeed (FF): when paper is loaded into the printer, it advances to the following page; if no paper is loaded, it is positioned for printing.	Moves the paper backward in micro steps. Keeping the key pressed the paper is moved continuously at increasing speed.	Scrolls the setup and macro functions forwards.
<b>PATH PARK</b>	Selects one of the paper paths in off line status. The parameters of the displayed path are set after 2 seconds without pressing any key.	Parks the paper in the currently selected paper path	
<b>ALTERNATE</b>	Enables the alternative key functions. If the printer is receiving print data, press the ON LINE key before Pressing the ALTERNATE key. If no printing data are in the print buffer, pressing the ALTERNATE key, the printer goes off line. The display then shows ALTERNATE to indicate that the Alternate Function of the keys is enabled (ALTERNATE indicator lit). Maybe used to abort paper parking procedure. When the printer is in Program Setup Mode, this key is disabled.		Disables the alternative key functions
<b>ON LINE + MACRO+ ALTERNATE</b>	Lock or unlock the access to the printer setups.		

For additional information on setting up and configuring your printer, and to download Windows drivers, please visit Printronix website at:

[www.Printronix.com](http://www.Printronix.com)