

PRINTRONIX® **PSA3**
P7000 Cartridge Ribbon Printer
User's Manual



READ THIS SOFTWARE LICENSE AGREEMENT BEFORE USING THIS PRINTER

Software License Agreement

CAREFULLY READ THE FOLLOWING TERMS AND CONDITIONS BEFORE USING THIS PRINTER. USING THIS PRINTER INDICATES YOUR ACCEPTANCE OF THESE TERMS AND CONDITIONS. IF YOU DO NOT AGREE TO THESE TERMS AND CONDITIONS, PROMPTLY RETURN THE PRINTER AND ALL ACCOMPANYING HARDWARE AND WRITTEN MATERIALS TO THE PLACE YOU OBTAINED THEM, AND YOUR MONEY WILL BE REFUNDED.

Definitions.

"Software" shall mean the digitally encoded, machine-readable data and program. The term "Software Product" includes the Software resident in the printer and its documentation. The Software Product is licensed (not sold) to you, and Printronix, Inc. either owns or licenses from other vendors who own, all copyright, trade secret, patent and other proprietary rights in the Software Product.

License.

1. Authorized Use. You agree to accept a non-exclusive license to use the Software resident in the printer solely for your own customary business or personal purposes.
2. Restrictions.
 - a. To protect the proprietary rights of Printronix, Inc., you agree to maintain the Software Product and other proprietary information concerning the typefaces in strict confidence.
 - b. You agree not to duplicate or copy the Software Product.
 - c. You shall not sublicense, sell, lease, or otherwise transfer all or any portion of the Software Product separate from the printer, without the prior written consent of Printronix, Inc.
 - d. You may not modify or prepare derivative works of the Software Product.
 - e. You may not transmit the Software Product over a network, by telephone, or electronically using any means; or reverse engineer, decompile or disassemble the Software.
 - f. You agree to keep confidential and use your best efforts to prevent and protect the contents of the Software Product from unauthorized disclosure or use.
3. Transfer. You may transfer the Software Product with the printer, but only if the recipient agrees to accept the terms and conditions of this Agreement. Your license is automatically terminated if you transfer the Software Product and printer.

Limited Software Product Warranty

Printronix, Inc. warrants that for ninety (90) days after delivery, the Software will perform in accordance with specifications published by Printronix, Inc. Printronix, Inc. does not warrant that the Software is free from all bugs, errors and omissions.

Remedy

Your exclusive remedy and the sole liability of Printronix, Inc. in connection with the Software is replacement of defective software with a copy of the same version and revision level.

Disclaimer of Warranties and Limitation of Remedies

1. THE PARTIES AGREE THAT ALL OTHER WARRANTIES, EXPRESS OR IMPLIED, INCLUDING WARRANTIES OF FITNESS FOR A PARTICULAR PURPOSE AND MERCHANTABILITY ARE EXCLUDED. Printronix, Inc. does not warrant that the functions contained in the Software will meet your requirements or that the operation of the Software will be uninterrupted or error free. Printronix, Inc. reserves the right to make changes and/or improvements in the Software without notice at any time.
2. IN NO EVENT WILL PRINTRONIX, INC. BE LIABLE FOR LOST PROFITS, LOST DATA, BUSINESS INTERRUPTIONS, OR ANY OTHER DIRECT, INDIRECT, INCIDENTAL OR CONSEQUENTIAL DAMAGES ARISING OUT OF THE USE OF OR INABILITY TO USE THIS PRODUCT, EVEN IF PRINTRONIX, INC. HAS BEEN ADVISED OF THE POSSIBILITY OF SUCH DAMAGES, OR ANY DAMAGES CAUSED BY THE ABUSE OR MANIPULATION OF THE SOFTWARE. SOME STATES DO NOT ALLOW THE EXCLUSION OR LIMITATION OF LIABILITY FOR CONSEQUENTIAL OR INCIDENTAL DAMAGES, SO THE ABOVE LIMITATION MAY NOT APPLY TO YOU.
3. Printronix, Inc. will not be liable for any loss or damage caused by delay in furnishing a Software Product or any other performance under this Agreement.
4. Our entire liability and your exclusive remedies for our liability of any kind (including liability for negligence except liability for personal injury caused solely by our negligence) for the Software Product covered by this Agreement and all other performance or nonperformance by us under or related to this Agreement are limited to the remedies specified by this Agreement.
5. California law governs this Agreement.

Termination of License Agreement

This License shall continue until terminated. This license may be terminated by agreement between you and Printronix, Inc. or by Printronix, Inc. If you fail to comply with the terms of this License and such failure is not corrected within thirty (30) days after notice. When this License is terminated, you shall return to the place you obtained them, the printer and all copies of the Software and documentation.

U.S. Government Restricted Rights

Use, duplication or disclosure by the Government is subject to restrictions as set forth in the Rights in Technical Data and Computer Software clause at FAR 242.227-7013, subdivision (b) (3) (ii) or subparagraph (c) (1) (ii), as appropriate. Further use, duplication or disclosure is subject to restrictions applicable to restricted rights software as set forth in FAR 52.227-19 (c) (2).

Acknowledgement of Terms and Conditions

YOU ACKNOWLEDGE THAT YOU HAVE READ THIS AGREEMENT, UNDERSTAND IT, AND AGREE TO BE BOUND BY ITS TERMS AND CONDITIONS. NEITHER PARTY SHALL BE BOUND BY ANY STATEMENT OR REPRESENTATION NOT CONTAINED IN THIS AGREEMENT. NO CHANGE IN THIS AGREEMENT IS EFFECTIVE UNLESS WRITTEN AND SIGNED BY PROPERLY AUTHORIZED REPRESENTATIVES OF EACH PARTY. BY USING THIS PRINTER, YOU AGREE TO ACCEPT THE TERMS AND CONDITIONS OF THIS AGREEMENT.

User's Manual

P7000 Cartridge Ribbon Printers

PRINTRONIX® **PSA3**



This document contains proprietary information protected by copyright. No part of this document may be reproduced, copied, translated, or incorporated in any other material in any form or by any means, whether manual, graphic, electronic, mechanical, or otherwise, without the prior written consent of Printronix.

Printronix makes no representations or warranties of any kind regarding this material, including, but not limited to, implied warranties of merchantability and fitness for a particular purpose. Printronix shall not be held responsible for errors contained herein or any omissions from this material or for any damages, whether direct or indirect, incidental or consequential, in connection with the furnishing, distribution, performance, or use of this material. The information in this manual is subject to change without notice.

COPYRIGHT 1997, 2012 PRINTRONIX, INC.

Trademark Acknowledgements

ANSI is a registered trademark of the American National Standards Institute, Inc.

Artifex, the Artifex logo , Ghostscript, and the Ghostscript logo  are registered trademarks of Artifex Software, Inc.

PostScript is a trademark of Adobe Systems Incorporated.

Centronics is a registered trademark of Genicom Corporation.

CSA is a registered certification mark of the Canadian Standards Association.

Dataproducts is a registered trademark of Dataproducts Corporation.

EIA is a registered service mark of the Electronic Industries Association.

ENERGY STAR is a registered trademark of the United States Environmental Protection Agency. As an ENERGY STAR[®] Partner, Printronix has determined that this product meets the ENERGY STAR guidelines for energy efficiency.

Epson is a registered trademark of Seiko Epson Corporation.

Ethernet is a trademark of Xerox Corporation.

IBM, AS/400, and Proprinter are registered trademarks, and Intelligent Printer Data Stream and IPDS are trademarks of International Business Machines Corporation.

IEEE is a registered service mark of the Institute of Electrical and Electronics Engineers, Inc.

Printronix, PGL, LinePrinter Plus, and IGP are registered trademarks, and P7005, P7010, P7015, P7205, P7210, P7215, P7220, and SureStak are trademarks of Printronix, Inc.

QMS is a registered trademark, and Code V is a trademark of Quality Micro Systems, Inc.

TUV is a registered certification mark of TUV Rheinland of North America, Inc.

UL is a registered certification mark of Underwriters Laboratories, Inc.



Table of Contents

1	Introduction	11
	Printer Overview	11
	Printronix P7000 Cartridge Ribbon Printers (CRP) Series	11
	Consumable Monitoring With PrintNet Enterprise	13
	Graphics Enhancements	13
	Taking Care Of Your Printer	13
	Conventions In This Manual	13
	Warnings And Special Information	14
	Related Documents	14
	Contact Information	15
	Printronix Customer Support Center	15
	Printronix Supplies Department	15
	Corporate Offices	16
2	Setting Up The Printer	17
	Before You Begin	17
	Power Requirements	17
	Select A Site	17
	Printer Dimensions	18
	Printer Component Locations	21
3	Operating The Printer	23
	Powering On The Printer	23
	Operating Modes	23
	The Control Panel	24
	Control Panel Keys	24
	Cancel A Print Job	28
	Operational Procedures	29
	Reload Paper	29
	Unload Paper	38
	Integrated Print Management System	41
	Output Darkness	41
	Loading a Used Ribbon Cartridge	42
	Lighter Or Darker Print	42
	Changing Ribbon Cartridge	43

4	The Configuration Menus	47
	Configuration Overview	47
	Main Menu	47
	Changing Parameter Settings	48
	Saving Parameter Settings	48
	Default And Custom Configurations	48
	Navigating the Menus	49
	Changing Parameters Example	50
	Auto Save Configuration	53
	Saving Your New Configuration	53
	Optimizing Print Quality.....	58
	Optimizing Print Speed	59
	Dynamic Menu Options	60
	Active Emulations	61
	Main Menu	63
	P7000 STD Firmware.....	64
	P7000 TN Firmware	66
	P7000 PCL-II Firmware.....	68
	P7000 LG Firmware	70
	P7000 ANSI Firmware	72
	OpenPrint P7000 STD Postscript/PDF Firmware	74
	OpenPrint P7000 HD Postscript/PDF Firmware	76
	QUICK SETUP Menu	77
	CONFIG. CONTROL Menu	85
	HOST INTERFACE Menu	87
	Auto Switching Submenu	88
	IEEE 1284 Parallel (Bidirectional) Submenu.....	90
	Centronics (Parallel) Submenu	92
	Dataproducts Submenu	95
	Serial Submenu.....	97
	E-Net Adapter Submenu	103
	Ethernet Submenu	104
	NETWORK SETUP Menu	105
	ADAPTER ADDRESS.....	105
	ADAPTER PARAMS	106
	ETHERNET ADDRESS	109
	ETHERNET PARAMS.....	110
	WLAN ADDRESS	112
	WLAN PARAMS.....	113
	WLAN KERBEROS.....	117
	WLAN LEAP.....	119
	WLAN EAP.....	120

ACTIVE IGP EMUL and ACTIVE EMULATIONS Menus	121
EMULATION Menu	123
Coax/Twinax (CTHI) Emulation	124
Standard	124
Simple Prot Conv	125
Coax Emulation	126
Twinax Params	135
3270 Params	141
5250 Params	148
SPC Coax Params	152
SPC Twx Params	155
LinePrinter Plus Emulation	157
LinePrinter Plus Emulation (With PCL-II).....	159
P-Series Emulation	164
P-Series Emulation (with PCL-II).....	164
P-Series Emulation (With LG)	165
P-Series XQ Emulation	172
Serial Matrix Emulation	174
Proprinter XL Emulation	179
Epson FX Emulation	183
ANSI Emulation	188
IGP/PGL Emulation	195
Features	195
Configuring The Emulation With The Control Panel.....	196
IGP/PGL Submenu	197
IGP/PGL Submenu (With PCL-II).....	198
IGP/PGL Submenu (with LG)	199
IGP/VGL Emulation	209
Features	209
Configuring The Emulation With The Control Panel.....	210
IGP/VGL Submenu	210
IGP/VGL Submenu (with PCL-II).....	212
IGP/VGL Submenu (with LG)	214
IPDS Emulation	225
PCL - II Emulation.....	229
LG Emulation	233
OpenPrint POSTSCRIPT/PDF Emulation	238
Postscript/PDF Interpreter.....	238
OpenPrint SURE SCAN Menu.....	242
PRINTER CONTROL Menu	251
ADVANCED USER Menu.....	254
DIAGNOSTICS Menu	261

DATE Menu	264
PRINTER MGMT Menu	265
5 Interfaces	267
Overview	267
Dataproducts Parallel Interface	268
Dataproducts Parallel Interface Signals	269
Centronics Parallel Interface	270
Centronics Parallel Interface Signals	271
IEEE 1284 Parallel Interface	272
Compatibility Mode	272
Nibble Mode	272
Byte Mode	272
Signals	273
Terminating Resistor Configurations	275
RS-232 And RS-422 Serial Interfaces	276
RS-232	277
RS-422	278
6 Reprogramming the Security Key	279
Reprogramming The Security Key	279
How To Program The Security Key	279
7 Troubleshooting	281
Cleaning Requirements	281
Exterior Cleaning	281
Interior Cleaning	282
Diagnosing Problems	284
Bar Code Verification	284
Printing A Hex Dump	285
Fault Messages	286
A Printer Specifications	317
Ribbon Cartridge Specifications	317
Paper Specifications	317
Labels	318
Printer Weight And Dimensions	318
Environmental Characteristics	318
Acoustic Noise Level	319
Energy Star	319
Electrical Characteristics	320
Interfaces	321
Printing Rates	321

B	ASCII Character Set.....	323
C	Zero Tear Printer.....	325
	Overview.....	325
	Operation.....	326
	Position The Paper Input And Adjust The Paper Guides	326
	Load Paper.....	328
	Position The Paper Out Sensor	330
	Set The Tear Bar Distance.....	331
	Set The Top Of Form	332
	ZTP SETTINGS Menu	333
	Performance Limitations	334
D	Customer Support.....	337
	Printronix Customer Support Center.....	337
	Printronix Supplies Department.....	337
	Corporate Offices.....	338
E	Communication Notices	339
	Notices.....	339
	Energy Star.....	341
	Communication Statements.....	341
	Software License Agreement.....	346

1

Introduction

Printer Overview

This chapter provides a general overview of your printer and the conventions used within this manual.

Printronix P7000 Cartridge Ribbon Printers (CRP) Series

Printronix® has been the global leader in industrial printing solutions for over 30 years, earning a reputation for designing and manufacturing leading edge products and delivering them to market with unsurpassed service and support.

The Printronix P7000™ Line Matrix Printing Platform extends the series of technology innovations that cement Printronix's leadership position. Line matrix printing is Printronix's flagship technology, and it remains the workhorse solution for supply-chain and back-office printing applications because of its reliability, lower cost of ownership and flexibility of printing applications.

- Most reliable printer ever – provides more up time and lower operating costs
- Ultra capacity ribbons – deliver darker image, last longer, and costs less to operate than other print technologies
- Integrated print management system – provides precise control over print quality, print costs, and job planning
- Cabinet or Pedestal styles – best user access and forms handling flexibility
- Unsurpassed ease of use – simplifies operation and enhances productivity

There are three printer configurations:

Enclosed Cabinet (P72XX)

- The enclosed cabinet models provide for near silent operation, making these printers perfectly suitable for use in the quietest of office environments.
- Provides the best paper handling for large print runs. All paper input and output is contained inside the cabinet and protected from bumping and contamination.
- Highly effective combination of moveable fences and chains allows for precise stacking all the way up to a full box of paper.
- For tougher forms that tend not to refold well, a SureStak power stacker option is available for the enclosed cabinet models.
- Available in four print speeds – 500 line per minute, 1000 line per minute, 1500 line per minute, 2000 line per minute and HD models.

Pedestal (P70XX)

- The pedestal model has a clamshell design that allows easy access to all controls providing faster ribbon replacements and easier paper loading
- Oversized casters are standard making movement easy.
- Versatility to configure the paper path for either top or rear exit.
- Using the top paper exit, this printer is ideal for short print runs and easy access to output
- Available in three print speeds – 500 line per minute, 1000 line per minute, 1500 line per minute and HD models.

Zero Tear Pedestal (P70XXZT)

- Special push tractor configuration enables printing from the very first to the very last line of a form and then tear-off with no forms lost
- The elimination of wasted forms between jobs can yield significant savings.
- An ideal solution for supply-chain and back-office applications.
- Available in three print speeds – 500 line per minute, 1000 line per minute, 1500 line per minute and HD models.

Consumable Monitoring With PrintNet Enterprise

The Integrated Print Management System works with PrintNet Enterprise (PNE). PNE allows a system administrator to remotely view the current consumable status of all printers. PNE can be configured to deliver alerts on all consumable warnings. When a ribbon reaches the low state, PNE notifies the system administrator remotely via an automated e-mail alert of the low condition. This allows corrective action to be taken before the ribbon reaches its end of life. If the ribbon is not changed, an alert will again be initiated once the ribbon reaches the 0% end point. Refer to your PrintNet Enterprise Remote Management Software manual for details.

Graphics Enhancements

The IGP/PGL and IGP/VGL emulations allow you to create and store forms, generate logos, bar codes, expanded characters, and create other graphics. Alphanumeric and bar code data are added as the form is printed.

These emulations are available as factory-installed or field-installed options. For more information, contact your authorized service representative.

Taking Care Of Your Printer

Your printer will produce high print quality jobs if it is well taken care of. Periodic cleaning, handling the printer properly, and using the correct printer supplies such as ribbon and paper ensures optimum performance. Chapter 7 explains how to clean the printer, and printer supplies are listed in Appendix A.

Conventions In This Manual

Control panel keys and indicators are highlighted in **UPPERCASE BOLD PRINT**.

Example: Press the **CANCEL** key, then press the **ON LINE/CLEAR** key.

Quotation marks (“ ”) indicate messages on the Liquid Crystal Display (LCD).

Example: Press the **ON LINE/CLEAR** key. “OFFLINE” appears on the LCD.

The + (plus) symbol represents key combinations.

Example: “Press Δ + ∇ ” means press the Δ (UP) key and the ∇ (DOWN) key at the same time.

Warnings And Special Information

Read and comply with all information highlighted under special headings:

WARNING A warning notice calls attention to a condition that could harm you.

CAUTION A caution notice calls attention to a condition that could damage the printer.

IMPORTANT Information vital to proper operation of the printer.

NOTE: A note gives you helpful tips about printer operation and maintenance.

Related Documents

- *Quick Reference Guide* — Explains how to set up the printer for basic operation (load ribbon cartridge and media, and clear paper jams).
- *Maintenance Manual* — Explains how to maintain and repair the line matrix printer at the field service level of maintenance.
- *ANSI Programmer's Reference Manual* — Provides host control codes and character sets for the ANSI emulation.
- *Character Sets Reference Manual* — Information about and examples of the character sets available in line matrix printers.
- *Coax/Twinax Programmer's Reference Manual* — Covers the host control codes and character sets for the Coax and Twinax emulations.
- *Coax/Twinax Programmer's Reference Manual for the Simple Protocol Converter Option* — Covers the host control codes and character sets for the Coax and Twinax Simple Protocol Converter emulations.
- *External Network Interface Card User's Manual* — Information about network protocols, configuration, and operation.
- *IGP/PGL Programmer's Reference Manual* — Provides information used with the optional IGP Printronix emulation enhancement feature.
- *IGP/VGL Programmer's Reference Manual* — Provides information used with the optional Code V™ emulation enhancement feature.
- *Integrated Network Interface Card User's Manual* — Information about network protocols, configuration, and operation.
- *IPDS Twinax Emulation Programmer's Reference Manual* — Provides an overview of Intelligent Printer Data Stream™ (IPDS) features, commands, and diagnostics.
- *LinePrinter Plus Programmer's Reference Manual* — Covers the host control codes for the LinePrinter Plus emulation.

Contact Information

Printronix Customer Support Center

IMPORTANT

Please have the following information available prior to calling the Printronix Customer Support Center:

- Model number
- Serial number (located on the back of the printer)
- Installed options (i.e., interface and host type if applicable to the problem)
- Configuration printout (Press **PRT CONFIG** on the control panel, then press **ENTER**)
- Is the problem with a new install or an existing printer?
- Description of the problem (be specific)
- Good and bad samples that clearly show the problem (faxing of these samples may be required)

Americas (714) 368-2686

Europe, Middle East, and Africa (31) 24 6489 410

Asia Pacific (65) 6548 4114

China (86) 800-999-6836

<http://www.printronix.com/support.aspx>

Printronix Supplies Department

Contact the Printronix Supplies Department for genuine Printronix supplies.

Americas (800) 733-1900

Europe, Middle East, and Africa 33 (0) 1 46 25 19 07

Asia Pacific (65) 6548 4116
or (65) 6548 4182

China (86) 400-886-5598

India (800) 102-7869

<http://www.printronix.com/public/supplies/default.aspx>

Corporate Offices

Printronix, Inc.
15345 Barranca Parkway
Irvine, CA 92618
U.S.A.
Phone: (714) 368-2300
Fax: (714) 368-2600

Printronix Inc.
c/o Printronix Nederland BV
Bijsterhuizen 11-38
6546 AS Nijmegen
The Netherlands
Phone: (31) 24 6489489
Fax: (31) 24 6489499

Printronix Schweiz GmbH
42 Changi South Street 1
Changi South Industrial Estate
Singapore 486763
Phone: (65) 6542 0110
Fax: (65) 6546 1588

Printronix Commercial (Shanghai) Co. Ltd
22F, Eton Building East
No.555, Pudong Av.
Shanghai City, 200120, P R China
Phone: (86) 400 886 5598
Fax: (86-21) 5138 0564

Visit the Printronix web site at www.primtronix.com

2

Setting Up The Printer

Before You Begin

Read this chapter carefully before installing and operating the printer. The printer is easy to install. However, for your safety and to protect valuable equipment, perform all the procedures in this chapter in the order presented.

Power Requirements

The printer must be connected to a power outlet that supplies 88 to 270 volts AC. The printer automatically senses and adjusts itself to conform to the correct voltage range.

Primary circuit protection is provided by the power switch, which is also a circuit breaker. Consult an electrician if printer operation affects local electrical lines.

IMPORTANT Printer power should be supplied from a separate AC circuit protected at 10 amperes for 100 - 120 volts or 5 amperes for 200 - 240 volts at 50 or 60 Hertz.

Select A Site

Select a printer site that meets all of the following requirements:

- Permits complete opening of the printer cover and doors.
- For cabinet models, allows at least three feet of clearance behind the printer. (This permits air to circulate freely around the printer and provides access to the paper stacking area.)
- Has a standard power outlet that supplies 88-135 Volts AC or 178-270 Volts AC power, at 47 to 63 Hz.
- Is relatively dust-free.
- Has a temperature range of 10° C to 40° C (50° F to 104° F) and a relative humidity from 15% to 90% non-condensing.
- Is located within the maximum allowable cable length to the host computer. This distance depends on the type of interface you plan to use, as shown in Table 1.

Table 1. Maximum Interface Connection Cable Length

Interface Type	Maximum Cable Length
Centronics Parallel	5 meters (15 feet)
Dataproducts Parallel	12 meters (40 feet)
IEEE 1284 Parallel	10 meters (32 feet)
Serial RS-232	15 meters (50 feet)
Serial RS-422	1220 meters (4000 feet)
Coax	1500 meters (4920 feet)
Twinax	1500 meters (4920 feet)
Twinax (shielded cable)	1500 meters (4920 feet)
Twisted Pair / Type 3	300 meters (985 feet)
Ethernet 10/100Base-T	100 meters (328 feet)

Printer Dimensions

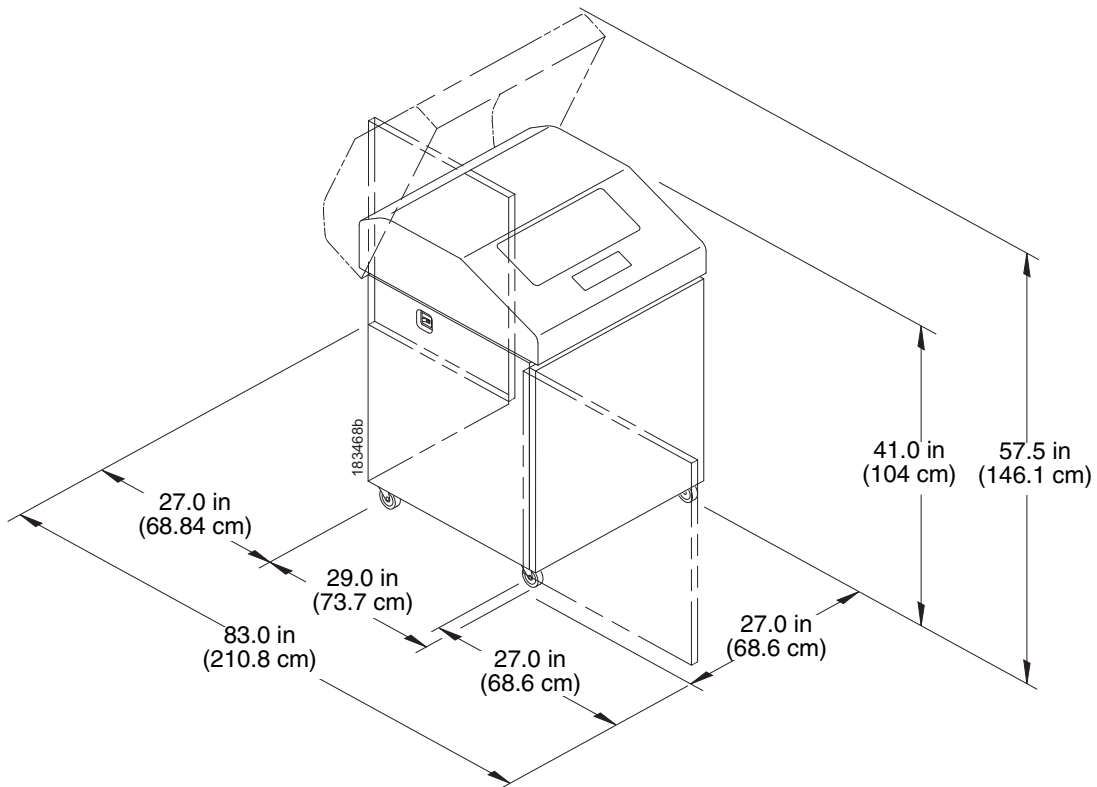


Figure 1. Printer Dimensions - Cabinet Model

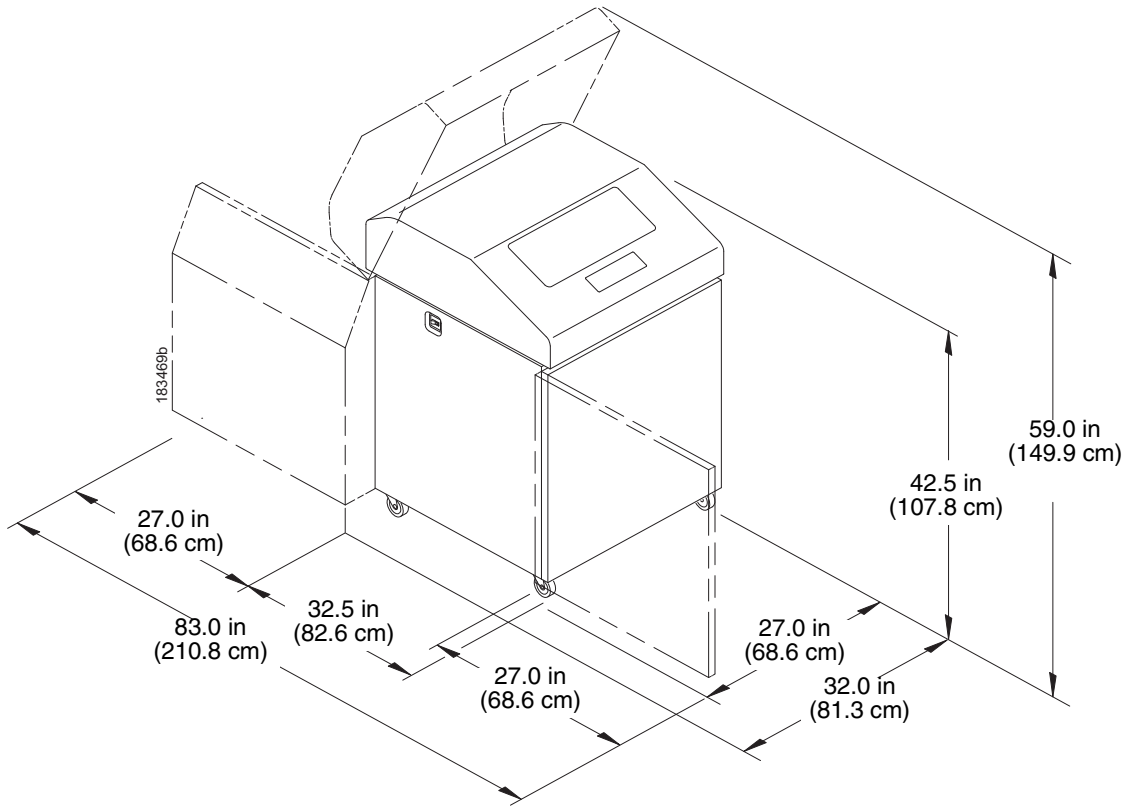


Figure 2. Printer Dimensions - Cabinet Model with Paper Stacker

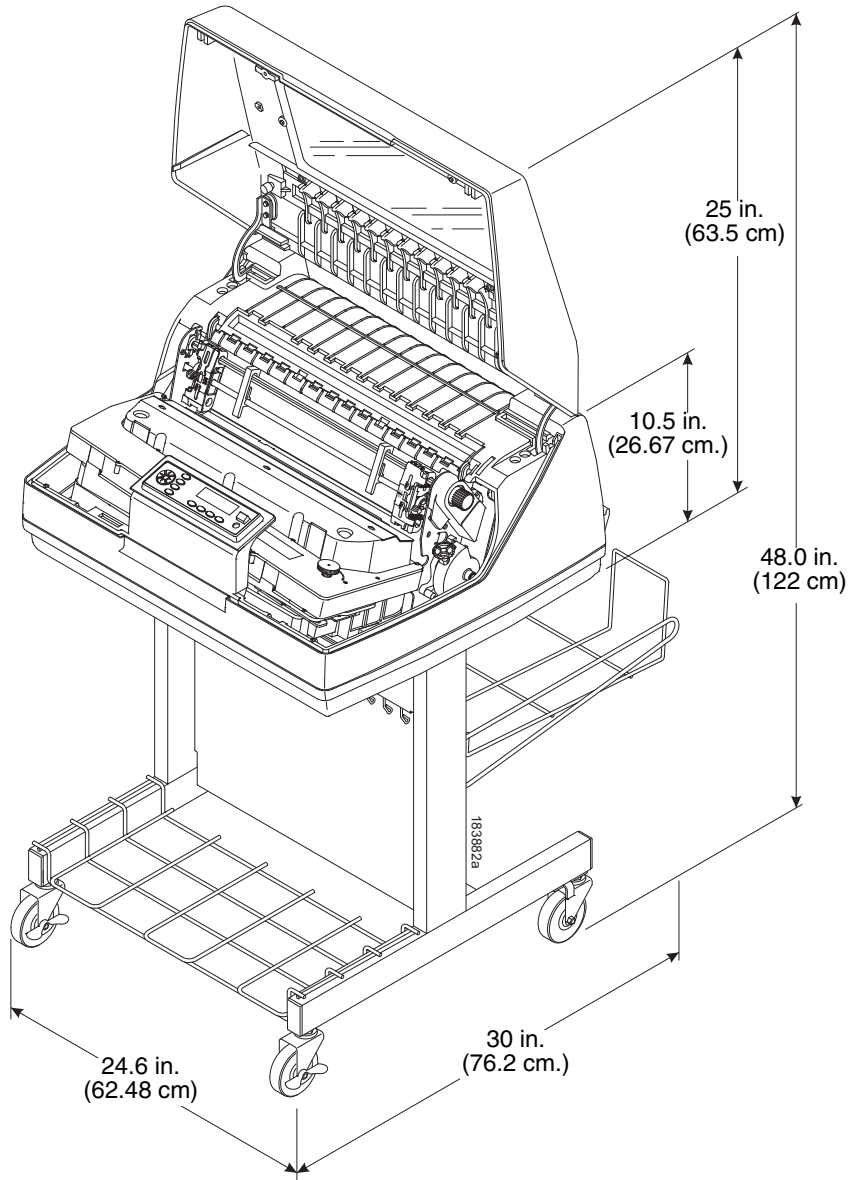


Figure 3. Printer Dimensions - Pedestal Model

Printer Component Locations

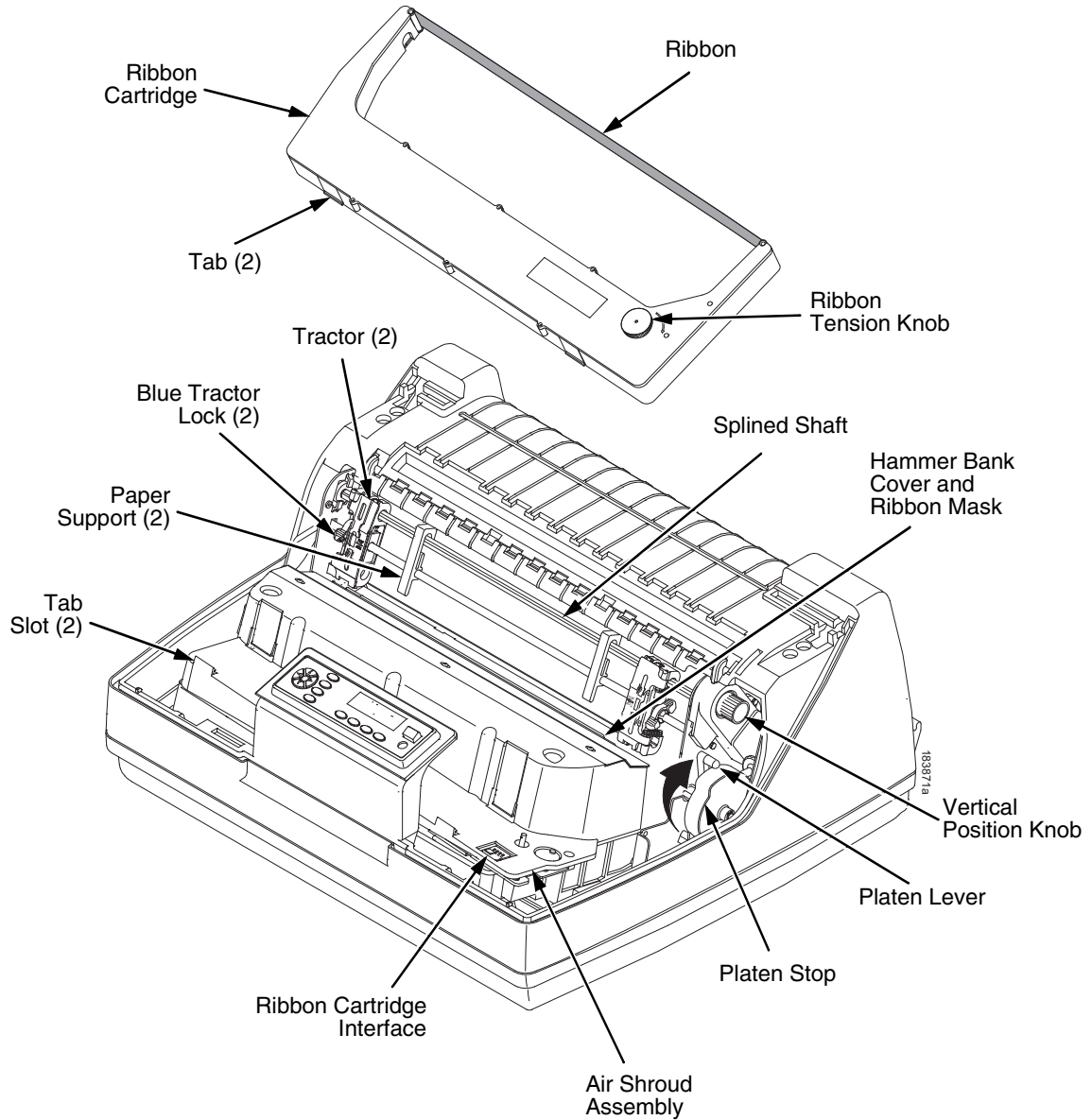


Figure 4. Printer Component Locations

3

Operating The Printer

Powering On The Printer

When you power on the printer, it executes a self-test. The default power-up state is online. When the self-test completes and the software has initialized successfully, the status indicator light turns on, indicating the printer is online. The default value of the type of emulation you have installed appears in the upper right corner of the display. The ribbon life remaining is shown on the second line.

If there is a fault during the self-test, the status indicator flashes and a specific fault message appears on the display (such as "LOAD PAPER"). The alarm also sounds if it is configured to do so. See "LCD Message Troubleshooting Table" on page 287 for information on fault messages and solutions.

Operating Modes

Online. In online mode, the printer can receive and print data sent from the host. Pressing the ON LINE key toggles the printer from online to offline mode. The status indicator is lit in online mode.

Offline. In offline mode, you can perform operator functions, such as loading paper and setting top-of-form. You can also move within the printer configuration menus. Pressing the **ON LINE/CLEAR** key toggles the printer from offline to online mode. The status indicator is off in offline mode.

Fault. In fault mode, a condition exists which must be cleared before printing can continue. The status indicator flashes, the alarm beeps (if configured to sound), and a descriptive fault message displays.

The current operating mode can be selected via control panel keys or can result from routine operations such as powering on the printer.

The Control Panel

Figure 5 shows the keys, displays, and indicators as they appear on the control panel. The following section provides the descriptions, and functions of the control panel keys.

Key combinations are indicated with the plus (+) sign. For example, “Press \triangle + ∇ ” means to press the \triangle key and the ∇ key at the same time.

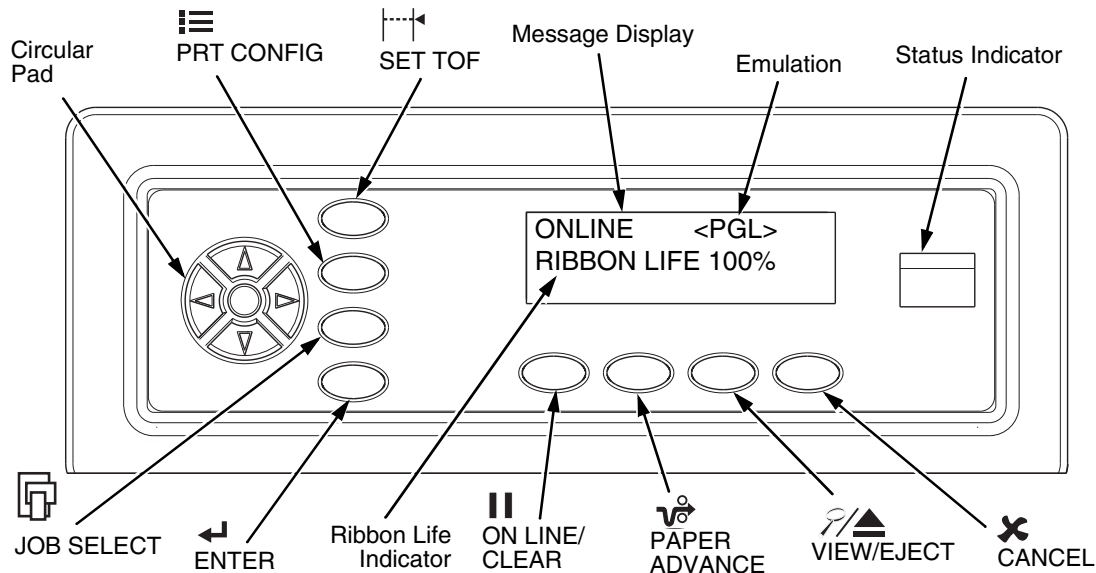


Figure 5. Control Panel

Control Panel Keys

ON LINE / CLEAR

Toggles the printer between online and offline modes. If a fault condition exists, pressing this key will clear the fault message and return the printer from fault mode to offline mode.

NOTE: If the fault condition is not corrected *before* pressing this key, the fault message will reappear when attempting to place the printer online.



PAPER ADVANCE

Performs advance to top-of-form, as defined by the current active form length. The key works both online and offline.

- If online with data in the printer buffer, the data will print and then the paper will move to the next top-of-form.
- In the fault state, PAPER ADVANCE will advance the paper. The first press moves to the top of the next available form. All subsequent presses advances one forms length as defined by the current active forms length.



VIEW / EJECT

When the printer is online or offline, pressing this key executes the view or eject function, depending on whether the printer is a cabinet or a pedestal (or zero tear pedestal).

If online with data in the printer buffer, the data prints and the key functions as described below.

If in a fault state, this key will be ignored.

- **View Function** — for cabinet models, pressing the VIEW/EJECT key moves the last data printed to the tractor area for viewing. While in the view state, the message "Printer in View" displays, pressing the UP or DOWN arrow keys moves the paper up or down in 1/72 inch increments. This is done to align the image within a pre-printed form, for example. Refer to the UP and DOWN key functions for additional details on the microstep feature. Pressing VIEW/EJECT a second time moves the paper back to the adjusted print position.
- **Eject Function** — for pedestal models, when the VIEW/EJECT key is pressed, the bottom of the last printed form will move to the tear bar position. The message "READY TO TEAR/EJECT To Return" displays. While in this position, pressing the UP or DOWN arrow keys moves the paper up or down in 1/72 inch increments. Refer to the Up and Down key functions for additional details on the microstep feature. When the VIEW/EJECT key is pressed a second time, the printer will move the paper to enable printing on the next available form.



CANCEL

In offline mode, this key cancels all data in the print buffer, if enabled in the "ADVANCED USER Menu" (see page 254). The print buffer is cleared without printing any of the data and the current paper position is set as the top-of-form. If this function is disabled, the CANCEL key will be ignored.

NOTE: 1. Use of this key will cause loss of data.

2. For OpenPrint products, pressing the CANCEL key advances the paper to the next TOF.

**SET TOF**

Sets the top-of-form on the printer. This key is active only when the printer is offline and will not operate if the printer is in a fault condition. The paper moves down to the print position and aligns to the top-of-form. Refer to the *Quick Setup Guide* for complete instructions on how to set the top-of-form.

NOTE: If there is any data in the buffer, the paper will move to the last print position.

**PRT CONFIG**

In offline mode, PRT CONFIG prints the current short configuration. This key requires a confirmation with the ENTER key; pressing any other key will exit from this function. See “The Configuration Menus” on page 47 for an explanation of configuration menus.

**JOB SELECT**

In offline mode, this key allows for fast selection of any of the previously stored configurations. Pressing this key causes the printer to cycle through the following messages: Load Config., Factory Config, Load Config 1, Load Config 2, Load Config 3,...,Load Config 8.

**ENTER**

When navigating the configuration menus, ENTER selects the currently displayed option value as the active value. An asterisk (*) appears next to the active value on the display. ENTER is also used for starting and stopping printer tests and generating a configuration printout.

NOTE: The ENTER key must be unlocked in order to function.

See UP + DOWN, below.

The ENTER key lock and unlock function can be configured to be a key combination other than $\Delta + \nabla$ (see page 259).

UP or DOWN (Δ or ∇)

Moves up or down between levels in the configuration menus and makes vertical forms adjustment. After pressing VIEW, press Δ or ∇ to adjust the paper up or down in 1/72 inch increments for fine vertical forms alignment. When the printer is in offline mode, press Δ or ∇ to move through levels in the configuration menus.

UP + DOWN (Δ + ∇)

Locks and unlocks the ENTER key.

NOTE: The ENTER key lock and unlock function can be configured to be a key combination other than Δ + ∇ (see page 259).

PREV or NEXT (\triangleleft or \triangleright)

Moves between the options on the current level of configuration menu. In the configuration menu, press \triangleleft to scroll backward or press \triangleright to scroll forward through the menu selections on the same level.

PREV + NEXT (\triangleleft + \triangleright)

When both keys are pressed simultaneously, the printer will reset to the power-up configuration and reset its internal state (in offline mode).

 Δ + ON LINE (IPDS Emulation only)

In offline mode, press Δ + ON LINE. If there is data in the printer buffer, the printer will be placed in online mode, print one page, and return to the offline mode. This action can be repeated until the end of a print job. Only one page prints each time you press Δ + ON LINE. If there is no data in the printer buffer, the printer is placed in online mode.

In the fault state, Δ + ON LINE does not work.

 Δ + PAPER ADVANCE (IPDS Emulation only)

In offline mode, press Δ + PAPER ADVANCE. The printer will perform a reverse linefeed. If you hold down the Δ + PAPER ADVANCE keys for longer than 1/2 second, the printer moves to the previous top-of-form position. If there is data in the printer buffer, the data does not print.

In the fault state, Δ + PAPER ADVANCE does not work.

 Δ + VIEW (IPDS Emulation only)

In offline mode, press Δ + VIEW/EJECT. If there is data in the IPDS printer buffer, the printer will be placed in online mode, print one line, and return to offline mode. This action can be repeated until the end of the job. This function prints only one line of text. If the data is not text, only 1/6 inch prints. If there is no data in the printer buffer, the printer is placed in online mode for one second and then returns to offline mode.

In the fault state, Δ + VIEW does not work.

Ribbon Life Indicator

The second line of the LCD displays the remaining life of the currently installed ribbon. The default settings for this feature should match the requirements for most applications; no special user setup is needed. If your particular application requires darker printing or can tolerate lighter printing, the ribbon end point can be adjusted as appropriate. Please refer "Ribbon End Point" on page 83.

Cancel A Print Job

The procedure to cancel a print job depends on the printer emulation and your application software. Contact your system administrator for additional information.

1. If the printer is online, press **||** (**ON LINE/CLEAR**) to place the printer in offline mode.
2. From the host system, stop the print job.

NOTE: If the print job is not stopped from the host system before pressing **X** (**CANCEL**), the print job continues with data missing when the printer returns to online mode. Exercise caution to prevent unwanted data loss occurrences, as this function deletes unprinted data in the printer. This function is active only in offline mode; the purpose of this function is to eliminate the necessity of printing unwanted data when print jobs are canceled.

3. Press **X** (**CANCEL**).

NOTE: You may need to enable the Cancel option on the front panel. See “ADVANCED USER Menu” on page 254 for details.

4. Set the top-of-form. Refer to the *Quick Reference Guide*.

Operational Procedures

This section contains routine printer operating procedures on how to:

- reload paper
- unload paper

Reload Paper

Do this procedure when “LOAD PAPER” displays. (This message occurs when the last sheet of paper passes through the paper slot.) This procedure reloads paper without removing the last sheet of the old paper supply, while retaining the current top-of-form setting.

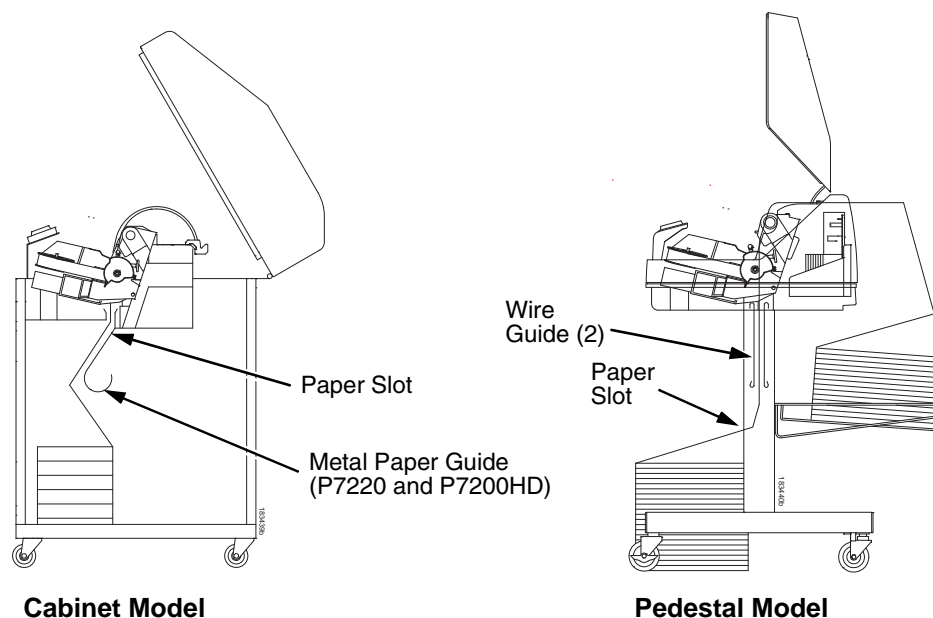


Figure 6. Paper Slot Location

1. Raise the printer cover. Raise the platen lever as far as it will go. (See Figure 4 on page 21 for the location of the lever.)
 2. Press **ON LINE/CLEAR** to turn off the alarm. Do not open the tractor doors or remove the existing paper.
 3. For cabinet models, open the front door. Align the paper supply with the label on the floor. Ensure the paper pulls freely from the box.
 4. Feed the paper up through the paper slot (see Figure 6). It may be easier to feed one corner of the new paper up through the slot first. When this corner can be grasped from the top, rotate the paper back to the normal position.
- NOTE:** If you are using thick, multi-part forms and are unable to load the new paper over the existing paper, go to step 15.
5. Hold the paper to prevent it from slipping down and through the paper slot.

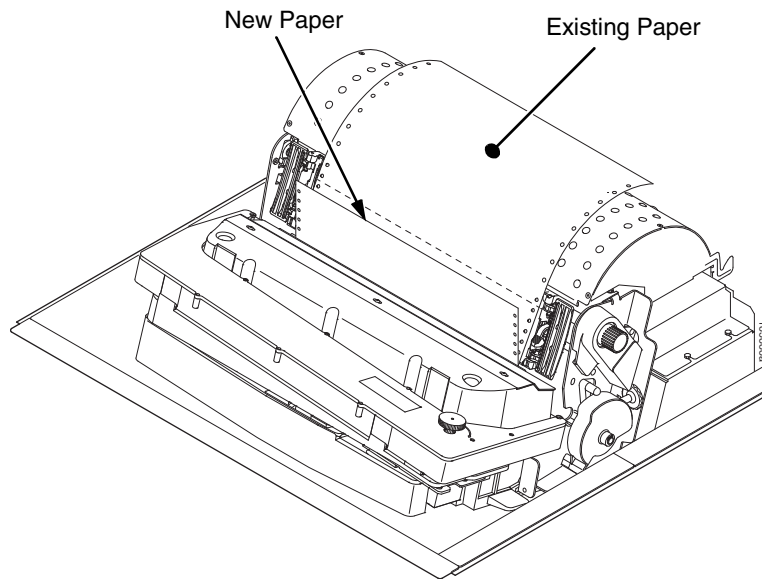


Figure 7. Loading New Paper into the Printer

6. Pull the new paper above and behind the ribbon mask, but in front of the existing paper. See Figure 4 on page 21 for the ribbon mask location. If necessary, gently press the existing paper back.
7. Align the top edge of the new paper with the top perforation of the existing paper.
8. Load the new paper over the existing paper. Open and load the tractors one at a time to prevent the paper from slipping.

NOTE: Make sure that the top edge of the new paper lines up with the top horizontal perforation of the last page.

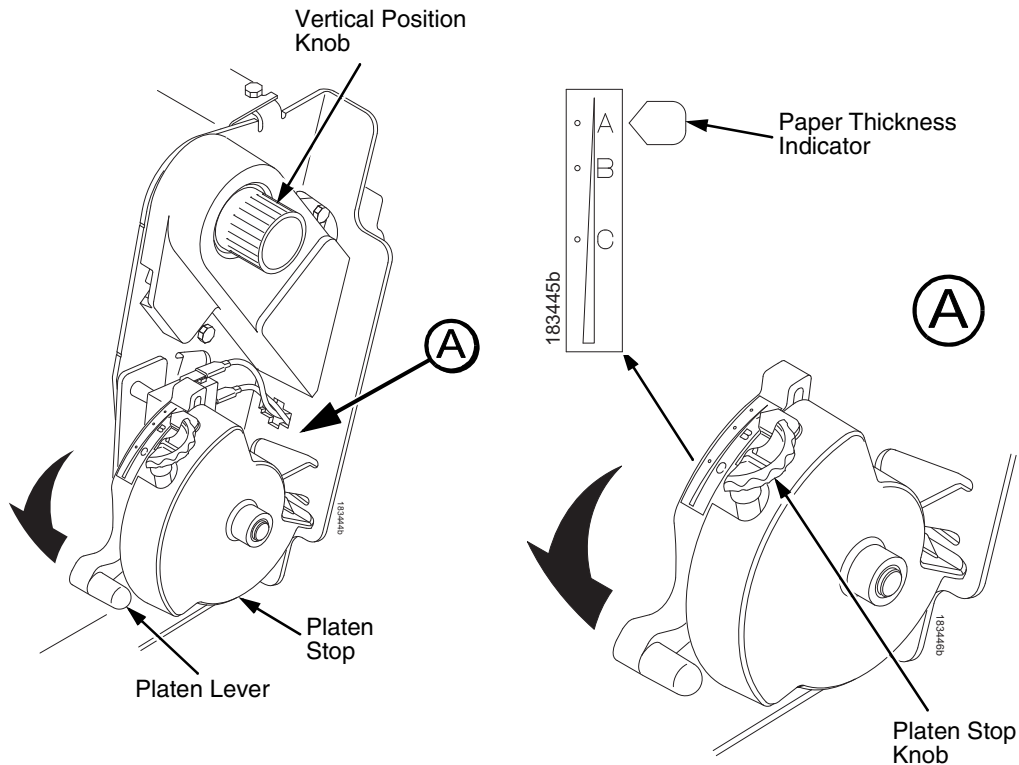


Figure 8. Setting the Platen Lever

9. Turn the platen stop knob clockwise or counterclockwise to match the paper thickness. (The A-B-C scale corresponds approximately to 1-, 3-, and 6-part paper thickness).

NOTE: If you are using the same thickness of paper, there is no need to readjust.

10. Lower the platen lever until it stops.
11. Press **ON LINE/CLEAR** to remove the “LOAD PAPER” fault message from the display.
12. Press **PAPER ADVANCE** several times to make sure the paper feeds properly beyond the tractors and over the lower paper guide. Feed sufficient paper to ensure the paper stacks correctly.
13. Close the printer top cover. Close the cabinet front door.
14. Press **ON LINE/CLEAR** to place the printer in online mode and resume printing.

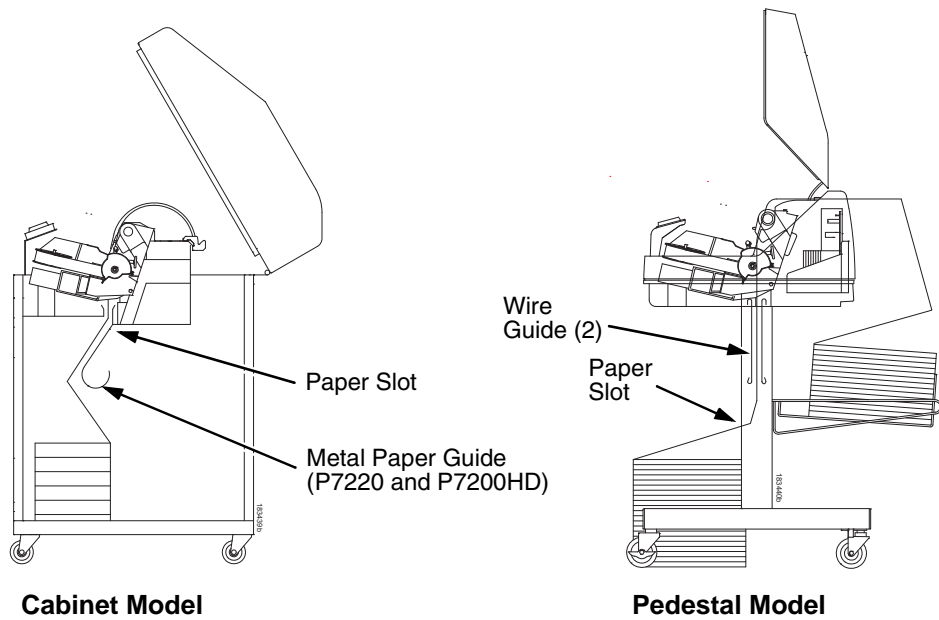


Figure 9. Paper Slots on the Printers

NOTE: Perform steps 15 to 32 only if you are unable to load the new paper over the existing paper.

15. Open both tractor doors.
16. Remove the old paper from the tractors. Allow the paper to fall into the paper supply area.
17. Feed the new paper up through the paper slot. Hold the paper to prevent it from slipping down through the paper slot.

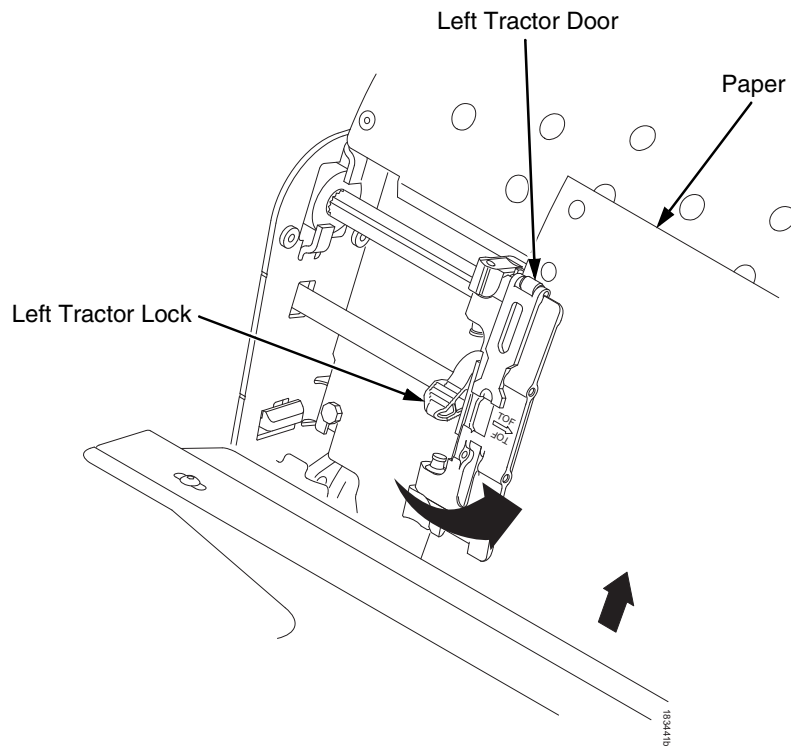


Figure 10. Loading Paper on the Left Tractor

18. Pull the paper above and behind the ribbon mask. See Figure 4 on page 21 for the ribbon mask location.
19. Load the paper on the left tractor.
20. Close the tractor door.

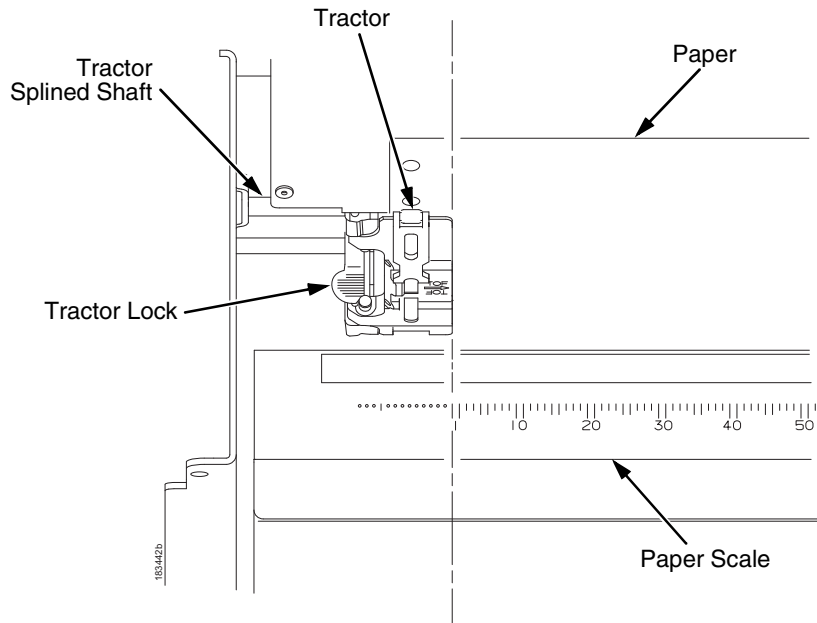


Figure 11. Positioning the Left Tractor to Avoid Damage

CAUTION To avoid damage to the printer caused by printing on the platen, always position the left tractor unit directly to the left of the “1” mark on the paper scale.

21. Normally, you should not need to adjust the position of the left tractor. If adjustment is necessary, unlock the left tractor by placing the tractor lock in the middle position. Slide the tractor until it is directly to the left of the number “1” on the paper scale and lock it. (You can also use the paper scale to count columns.)

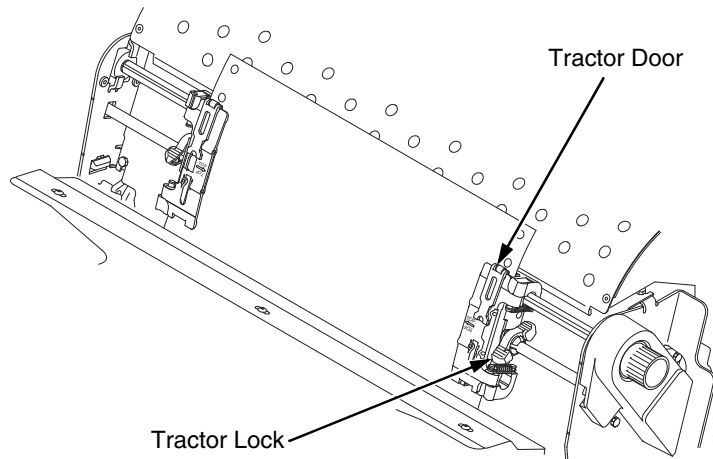


Figure 12. Loading Paper onto the Sprockets

22. Unlock the right tractor.
23. Load the paper onto the sprockets and close the tractor door.
If necessary, slide the right tractor to remove paper slack or to adjust for various paper widths. Then, lock the tractor.

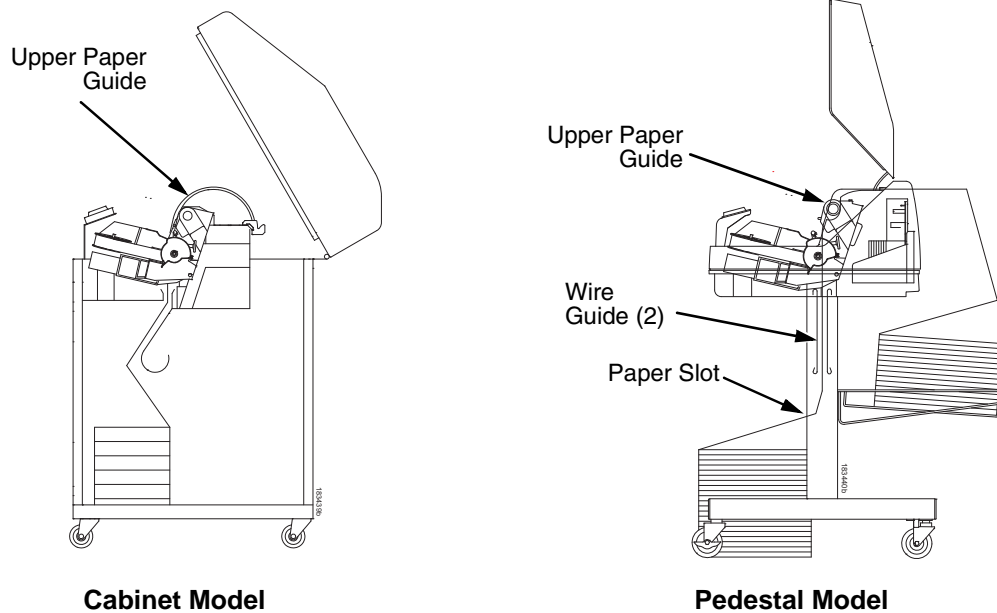


Figure 13. Using the Paper Guide to Orient the Paper

24. Pedestal models:

Using the vertical position knob to move the paper up, guide the paper over the upper paper guide and through the slot to the rear of the top cover. For pedestal models with the Quick Access Cover, refer to the *Quick Setup Guide* for paper exiting options.

25. Press **PAPER ADVANCE** several times to make sure the paper feeds properly beyond the tractors and over the lower paper guide. Feed sufficient paper to ensure the paper stacks correctly.

26. Cabinet models:

Open the cabinet rear door. Make sure the paper is aligned with the label in the output area (inside the cabinet). Close the front and rear doors.

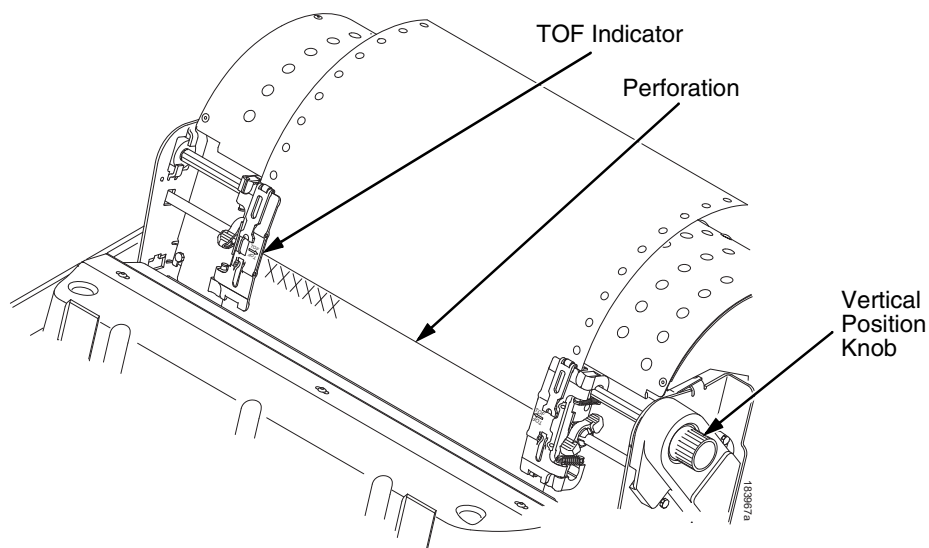


Figure 14. Aligning the Perforation with the TOF Indicator

27. Align the top of the first print line with the TOF indicator on the tractor by rotating the vertical position knob. For best print quality, it is recommended that the top-of-form be set at least one print line or more below the perforation.

NOTE: For exact positioning, press the **VIEW/EJECT** key to move the last data printed to the tractor area for viewing. While in View mode "Printer in View" displays. Press the Up or Down Arrow keys to move the paper vertically in small increments. Pressing the **VIEW/EJECT** key a second time moves the paper back to the adjusted print position. The key works both online and offline provided that the printer is in View mode. (This procedure is applicable for both the cabinet and pedestal models.)

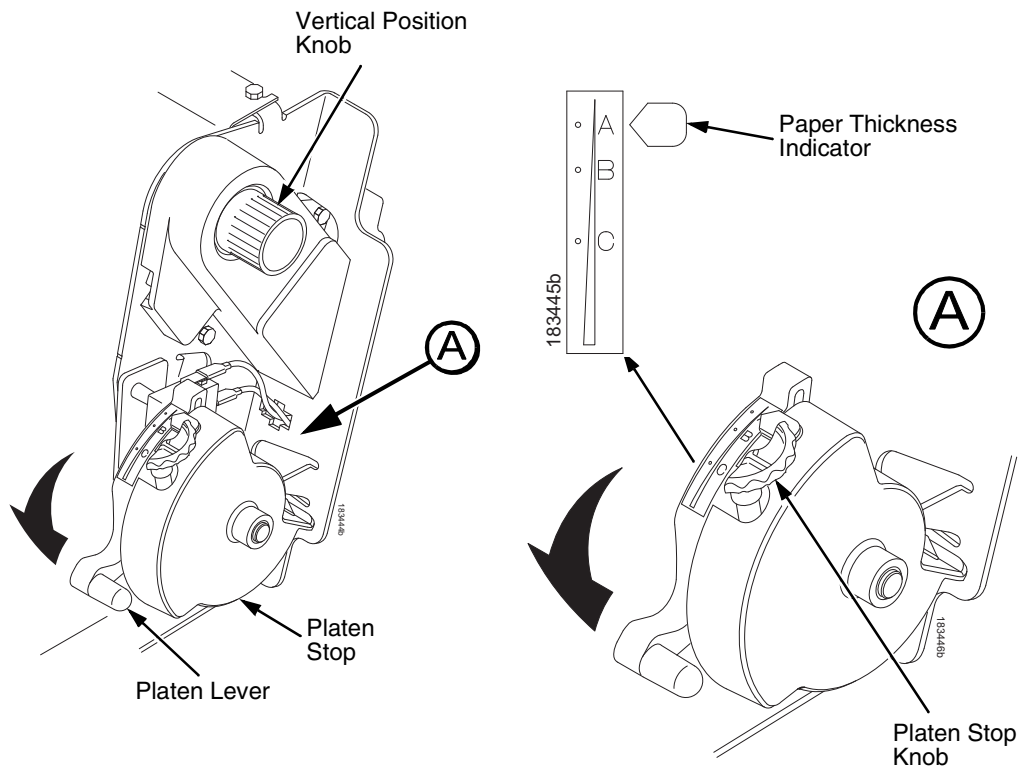


Figure 15. Adjusting the Platen Lever

28. Turn the platen stop knob clockwise or counterclockwise to match the paper thickness. (The A-B-C scale corresponds approximately to 1-, 3-, and 6-part paper thickness. Adjust until you have the desired print quality).

NOTE: The platen stop allows you to set an optimum and consistent thickness that is not affected when opening and closing the platen lever.

29. Lower the platen lever until it stops.

30. Press **ON LINE/CLEAR** to clear any fault messages (such as “LOAD PAPER”) from the LCD.

31. Press **SET TOF**. The top-of-form you have set moves down to the print position. If there is data in the buffer, the paper moves forward to the last print position on the next page.

32. Press **ON LINE/CLEAR** and close the printer cover.

Unload Paper

1. Press **ON LINE/CLEAR** to place the printer in offline mode and open the printer cover.
2. For cabinet models, open the cabinet rear door. For models with the power stacker installed, press the **STACKER UP** key on the rear control panel.

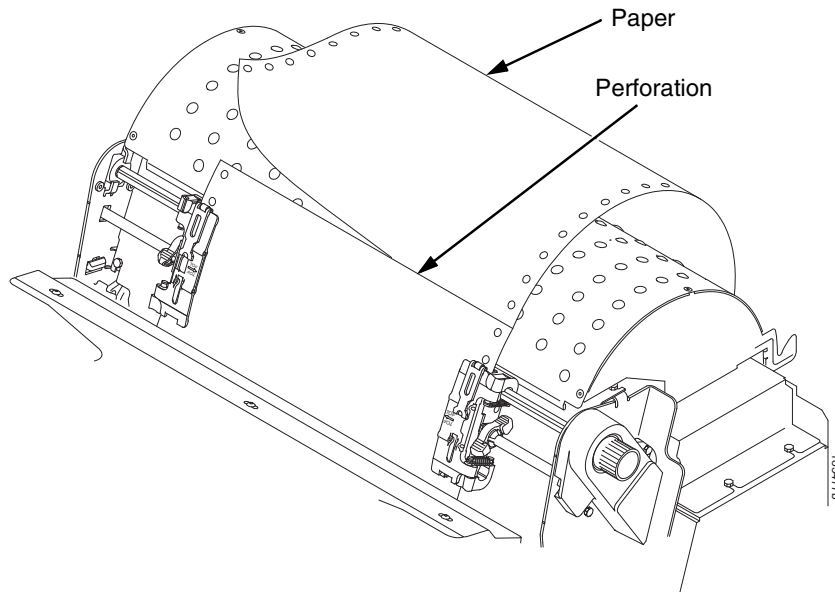


Figure 16. Unloading the Paper from the Printer

3. Tear off the paper at the perforation.
4. Allow the paper to fall to the back of the printer and into the paper stacking area.
5. For pedestal models, remove the stacked paper from the paper tray.

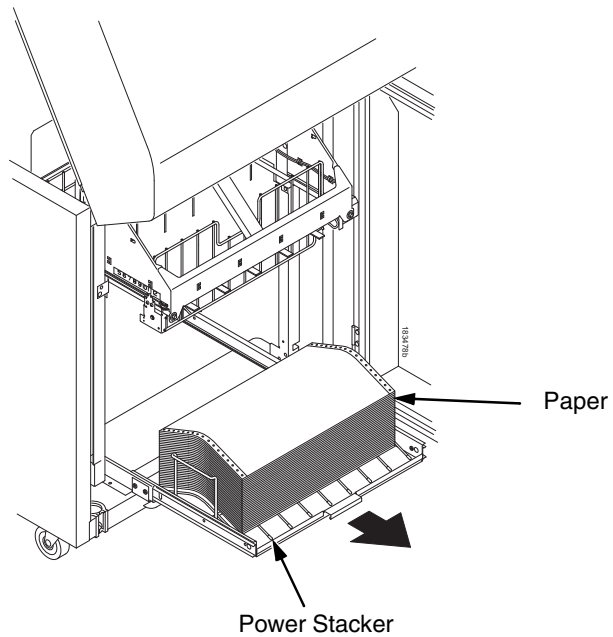


Figure 17. Removing Stacked Paper from the Printer

6. For cabinet models, remove the stacked paper from the rear cabinet floor. For cabinet models with the power stacker installed, remove the paper from the wire paper tent and press the **STACKER DOWN** key to lower the stacker mechanism.
7. Close the cabinet rear door.

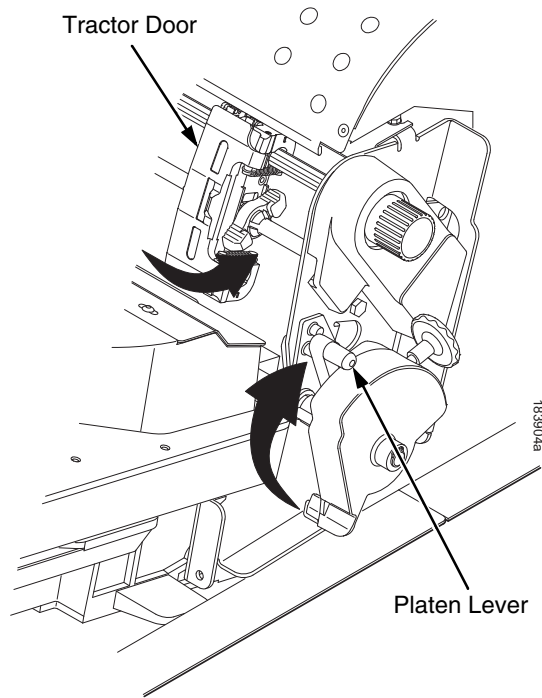


Figure 18. Completely Removing the Paper

8. To completely remove the paper from the printer:
 - a. Raise the platen lever as far as it will go and open both tractor doors.

CAUTION

Be careful when pulling any paper backward through the paper path, especially when using a label stock. If you are not careful, labels can detach and adhere to the printer within the paper path, where only an authorized service representative can remove them.

- b. Open the cabinet front door.
- c. Gently pull the paper down through the paper slot. Allow the paper to fall into the paper supply area.
- d. Remove the paper from the paper supply area.

Integrated Print Management System

The P7000 has a new feature that automatically monitors and communicates the status of the ribbon life to help the operator know when to change ribbons. Using an ink delivery system called the Cartridge Ribbon System (CRS), the printer can automatically detect when a new or used ribbon is loaded, and all ribbon properties. The ribbon is contained in a plastic box (the cartridge) and feeds only in one direction. The CRS contains an interface board that allows communication between the printer and the cartridge. Using the CRS, the P7000 automatically detects when a new or used ribbon is installed and determines the ribbon's length, ink color, and expected yield. The ribbon life, starting from 100% when new and decreasing to 0% when depleted, is always displayed on the control panel. See Figure 5 on page 24.

When the ribbon life reaches 2%, a warning message "RIBBON UNDER 2%/Change RBN soon" appears on the control panel display. The control panel status indicator lamp flashes. The printer will continue printing in this condition until the ribbon life reaches 0% at which time, printing will stop. The ribbon may be changed at any time while the printer is in the "RBN END POINT/Change Ribbon" condition without losing data in the printer's buffer. If a new ribbon is loaded, the system automatically detects the change, clears the condition when the platen is closed, and restarts the life at 100%. If a partially used ribbon is loaded, the system continues the life at the percentage indicated for the used ribbon.

You may also resume printing for approximately two more minutes without changing the ribbon by pressing the **ON LINE/CLEAR** key twice. This may be done as many times as needed to complete the job in progress.

Ribbon usage information is calculated by maintaining a count of impressions (dots) that is stored on the ribbon cartridge and updated periodically so that the cartridge can be used on a different printer with the information intact. This allows the system administrator to have precise control over print quality and consumable costs. The accurate presentation of available ribbon life allows for efficient planning of print jobs. For example, if the displayed ribbon life were low, you can install a new ribbon before printing a large print job.

Output Darkness

By default the system is configured to meet most user requirements. However, some applications require that the output remains darker than the nominal set point while some applications are less critical and could tolerate a lighter final image. The system can easily adjust to this variability. A setting under the Printer Control menu is available that allows the user to adjust the final output. The range is as follows:

Normal (Default)
Darker +1 through +6
Lighter -1 through -10

The ribbon life indicator always cycles between 100% and 0%, but if a darker setting is selected, zero will be reached more quickly. If a lighter setting is selected, the system will extend the amount of printing it takes to reach zero.

Loading a Used Ribbon Cartridge

You can take the ribbon cartridge off the printer and reload it at a later time. The ribbon life gauge automatically updates to reflect the correct remaining capacity.

NOTE: Since the ribbon usage information is stored on the ribbon cartridge, you can reload a partially used cartridge onto a different printer.

Lighter Or Darker Print

The ribbon life value as determined by the Integrated Print Management System is factory set so that the image quality at the end of the ribbon life is as good as it was when the ribbon was new. You may adjust the ribbon end point for a lighter or darker image as required for your printing needs. See “PRINTER CONTROL Menu” on page 251.

Changing Ribbon Cartridge

Before changing the ribbon cartridge, determine whether at the end of ribbon life if you want to make the print lighter (extend the ribbon life) or darker (shorten the ribbon life). If you want to make the print lighter or darker, go to “Ribbon End Point” on page 83 and follow the procedures for adjusting the image density. If you are satisfied with the print darkness, continue with the following steps.

NOTE: Ribbon cartridge instructions and illustrations shown in the following section are for the pedestal model. Follow the same procedures for the cabinet model.

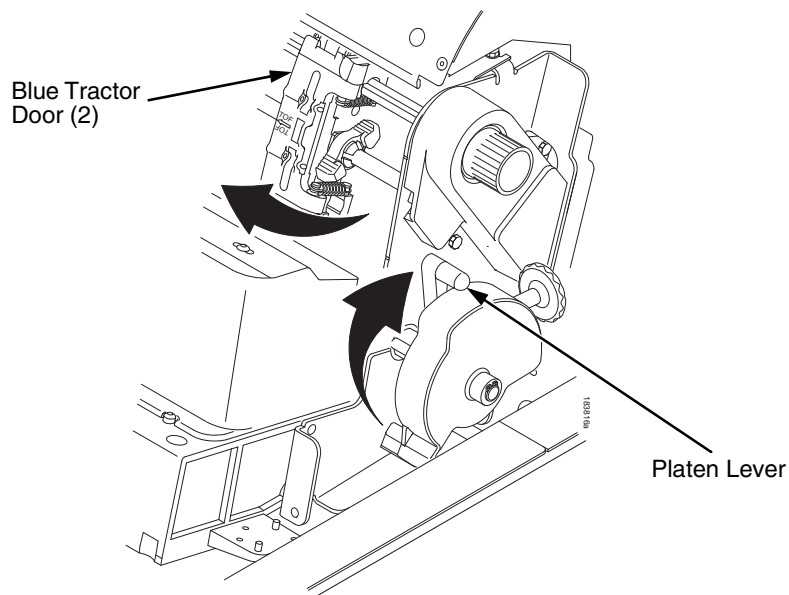


Figure 19. Preparing to Load the Ribbon

1. Open the printer cover.
2. Raise the platen lever as far as it will go.
3. Close the tractor doors.
4. Remove the old ribbon cartridge and discard properly.

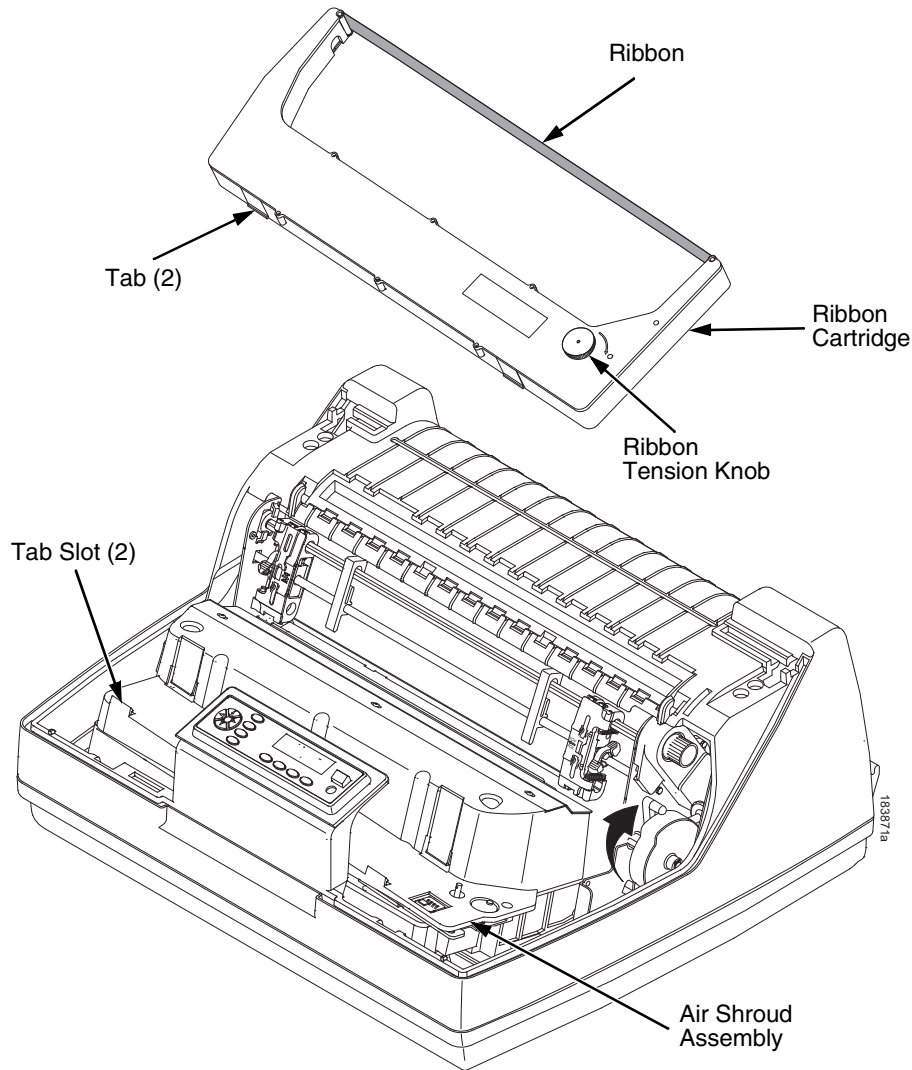


Figure 20. Installing the Ribbon Cartridge

5. Remove the ribbon slack on the new ribbon cartridge by turning the ribbon tension knob clockwise.

CAUTION Do not turn the ribbon tension knob counterclockwise. This could damage the ribbon cartridge.

6. Hold the cartridge at an angle, so that the rear side nearest you is lower than the side with the ribbon. Find the two tabs on the outside of the cartridge and place them into the corresponding slots on the air shroud assembly (see Figure 20).

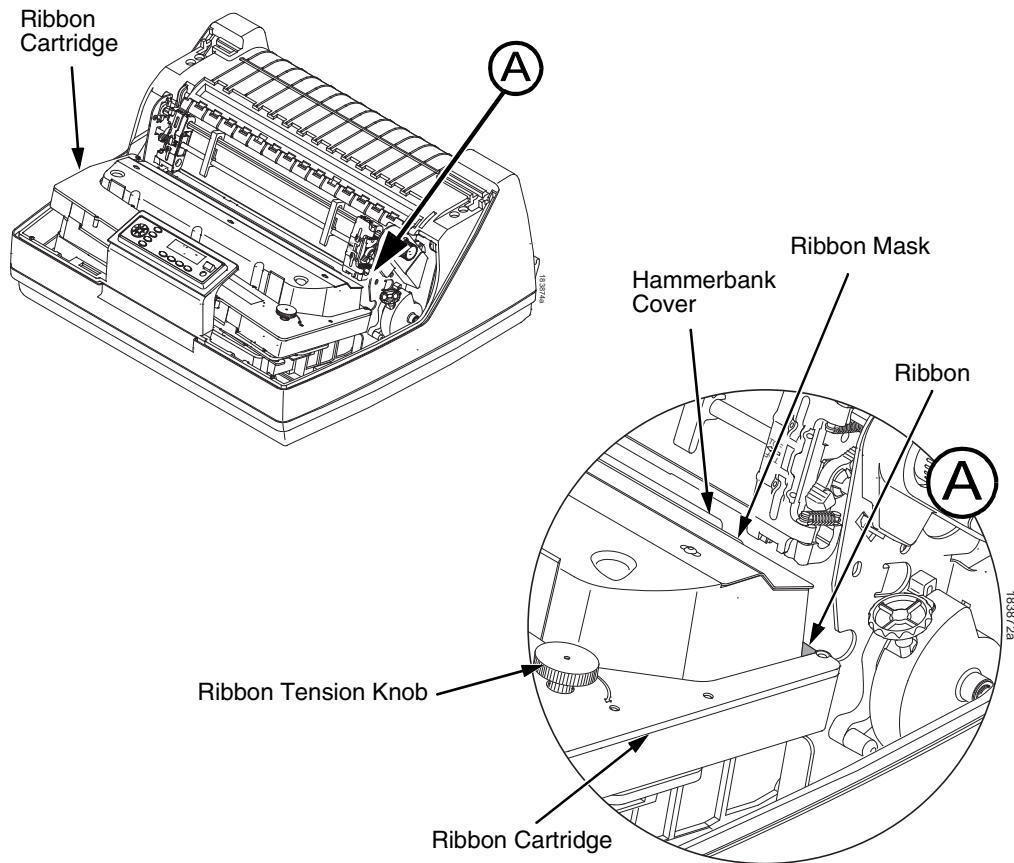


Figure 21. The Ribbon Cartridge Snapped in Place

7. Rock the cartridge downward, making sure that the ribbon goes between the guide and the mask (see Figure 21). You will feel it snap into place.

CAUTION Make sure that the ribbon does not twist or fold over.

8. Turn the ribbon tension knob clockwise a few times to make sure the ribbon tracks correctly in the ribbon path.
9. Close the platen lever.
10. Close the printer top cover.
11. Press the **||** (ON LINE/CLEAR) key twice to return the printer to operation.

4

The Configuration Menus

Configuration Overview

To print data, the printer must respond correctly to signals and commands received from the host computer. Configuration is the process of matching the printer's operating characteristics to those of the host computer and to specific tasks, such as printing labels or printing on different sizes of paper. The characteristics which define the printer's response to signals and commands received from the host computer are called configuration parameters.

You can configure the printer using the configuration menus and the control panel or by sending control codes in the data stream from a host computer attached to the printer. This chapter provides an introduction to configuring the printer and includes the configuration menus available (depending on which emulation you have installed in the printer).

IMPORTANT

Configuration directly affects printer operation. Do not change the configuration of your printer until you are thoroughly familiar with the procedures in this chapter.

Main Menu

The Main Menu section (page 63) is organized based on the following firmware types:

1. P7000 STD Firmware (Coax/Twinax/IPDS/PGL/VGL/LP+)
2. P7000 TN Firmware (TN/PGL/VGL/LP+)
3. P7000 PCL-II Firmware (PCL-II/PGL/VGL/LP+)
4. P7000 LG Firmware (LG/PGL/VGL/LP+)
5. P7000 ANSI Firmware (ANSI/PGL/VGL/LP+)
6. OpenPrint P7000 STD Postscript/PDF Firmware (PS/PGL/VGL/LP+)
7. OpenPrint P7000 HD Postscript/PDF Firmware (PS)

Changing Parameter Settings

You may change a printer parameter setting, such as line spacing or forms length, either by pressing keys on the control panel or by sending emulation control codes in the data stream from a host attached to the printer. The control panel allows you to configure the printer's resident set of configuration menus. An example procedure for using the control panel to change parameter settings begins on page 50.

When control codes are sent from a host attached to the printer, they override control panel settings. For example, if you set the line spacing to 6 lpi with the control panel, and application software later changes this to 8 lpi with a control code, the control code overrides the control panel setting.

Saving Parameter Settings

The parameter settings that you have changed can be permanently stored in the printer's memory as a configuration. See "Auto Save Configuration" on page 53 and "Saving Your New Configuration" on page 53.

You may also save your new configurations using the PTX_SETUP command host control code. See your *LinePrinter Plus Programmer's Reference Manual* for details.

Default And Custom Configurations

A configuration consists of a group of parameter settings, such as line spacing, forms length, etc. Your printer provides a fixed default configuration and allows you to define several custom configurations for use with particular print jobs. The factory default configuration can be loaded, but it cannot be altered.

Eight configurations can be modified for unique print job requirements. The "Save Config." option allows you to save eight groups of parameter settings in memory as custom configurations numbered from 1 through 8. An explanation on how to save a set of parameter values as a custom configuration using the "Save Config." menu option begins on page 53.

Navigating the Menus

To manipulate configurations review the following instructions about navigating through the menus.

You must be offline to move within the menus.

ON LINE/CLEAR



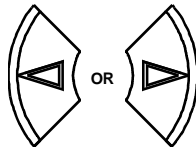
Press to toggle between ONLINE and OFFLINE. Menus are accessed with the printer offline.



OR



Press to move up or down through the menu levels.



Press to scroll through the available choices on a chosen level.

ENTER



Press to confirm selection.



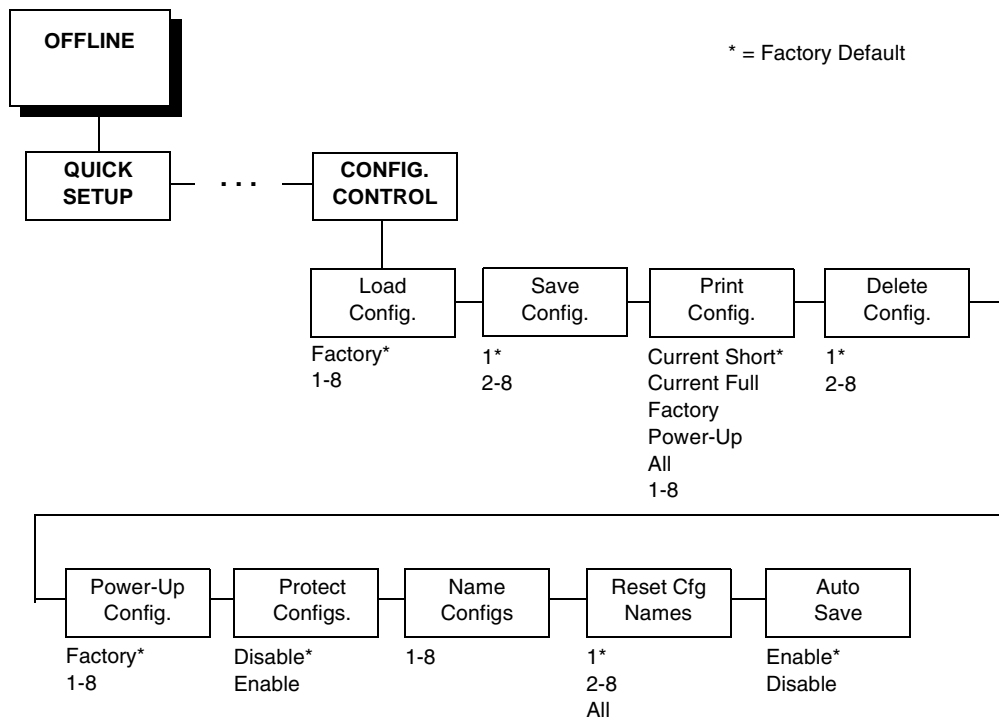
+



Press to lock and unlock the ENTER key. The ENTER key is locked by default to prevent you from accidentally changing the printer configuration. The lock and unlock function can be configured to be other than $\triangle + \nabla$ (See “Set Lock Key” on page 259.)

To experiment with navigating the menus, use the example on the next page as a tutorial.











Changing Parameters Example














A configuration consists of several parameters. The default factory configuration has a starting set of parameters. In the configuration menu above, and in all the configuration menus in this chapter, the factory default values are indicated by an asterisk (*).

Your print jobs may require parameter values which vary from the default settings. This section provides an example procedure for changing individual parameter values.

The following procedure shows how to change and save the settings for the Barcode Quality and Language options. Use these guidelines to navigate the configuration menus and change other parameters.

Step	Press	LCD	Notes
1.	Make sure the printer is on.		
2.	ON LINE/CLEAR 	OFFLINE QUICK SETUP	
3.	 + 	ENTER SWITCH UNLOCKED	Allows you to make configuration changes.
		OFFLINE QUICK SETUP	
4.	 UNTIL	OFFLINE PRINTER CONTROL	
5.		PRINTER CONTROL Ribbon End Point	
6.	 UNTIL	PRINTER CONTROL Barcode Quality	
7.		Barcode Quality Dark*	
8.	 OR 	Barcode Quality Draft	Cycle through the choices.
9.	ENTER 	Barcode Quality Draft*	The * indicates this choice is active.

Step	Press	LCD	Notes	
10.		PRINTER CONTROL Barcode Quality	Press until the desired parameter displays.	
11.	 UNTIL	PRINTER CONTROL Display Language		
12.		Display Language English*		
13.	 OR 	Display Language Spanish		
14.	ENTER 	Display Language Spanish*		The * indicates this choice is active.
15.	 + 	ENTER SWITCH LOCKED		Locks the ENTER key.
16.	ON LINE/CLEAR 	ENTER = Save ONLINE = No Save		Press ENTER to automatically save configuration changes. Press ONLINE to continue without saving.
17A.	ENTER 	Cfg = 1* = Power-Up Cfg		Configuration changes have been saved as Configuration 1, and will be set as the Power-Up config. The printer will then be brought online.
17B.	ON LINE/CLEAR 	ONLINE Ribbon Life = 100%		Places the printer online without permanently saving the configuration changes.
18.	The printer is ready for operation			

Auto Save Configuration

After any changes are made to the Factory Default configuration menu items, you will be prompted to save the changes to “Config #” when you place the printer online. “#” represents the next available unassigned configuration number. When prompted, press one of the following:

- **Enter.** Saves to Config 1 or the next available Config, and becomes the power-up config.
- **Online.** Changes will be implemented but saved only temporarily until deliberately saved as a new configuration or until you power off the printer. All changes will be lost when you power off the printer.

Saving Your New Configuration











The Save Config. option allows you to save up to eight custom configurations to meet different print job requirements. Once you have changed all of the necessary parameters, you may save them as a numbered configuration (Example 1 on page 54) or a named configuration (Example 2 on page 56) that can be stored and loaded later for future use. If you do not save your configuration using the Auto Save, or this option, all of your parameter changes will be erased when you power off the printer.










Once you have saved a custom configuration using this option, it will not be lost if you power off the printer. You can load a configuration for a specific print job (see “Load Config.” on page 85). You can also modify and resave it. You may want to print your configurations (see “Print Config.” on page 85) and store them in a safe place, such as inside the printer cabinet. If the Protect Configs. parameter is enabled and you try to resave an existing configuration, the new configuration will not be saved until the existing configuration has been deleted (see “Delete Config.” on page 86).

NOTE: Once you change active emulations, any changes to the previously selected emulation will be gone unless they have been saved.

Example 1











This example shows how to save a configuration as a numbered configuration, then later print it.












Step	Press	LCD	Notes
1.	Make sure the printer is on.		
2.	ON LINE/CLEAR 	OFFLINE QUICK SETUP	
3.	 + 	ENTER SWITCH UNLOCKED	Allows you to make configuration changes.
		OFFLINE QUICK SETUP	
4.	 UNTIL	OFFLINE CONFIG. CONTROL	
5.		CONFIG. CONTROL Load Config.	
6.	 UNTIL	CONFIG. CONTROL Save Config.	
7.		Save Config. 1*	
8.	 OR 	Save Config. 2	Cycle through the choices.
9.	ENTER 	Save Config. 2*	The * indicates this choice is active.






Step	Press	LCD	Notes
<p>NOTE: We recommend that you print the configuration. To print the configuration go to Step 9. To skip this procedure and resume printer operation, go to Step 14.</p>			
10.		CONFIG. CONTROL Save Config.	
11.	 UNTIL	CONFIG. CONTROL Print Config.	
12.		Print Config. Current	
13.	 OR 	Print Config. 2	Press until the desired parameter displays.
14.	ENTER 	OFFLINE CONFIG. CONTROL	The selected configuration is printed.
15.	 + 	ENTER SWITCH LOCKED	Locks the ENTER key.
16.	ON LINE/CLEAR 	ONLINE Ribbon Life = 100%	
17.	If you printed out the configuration, store it in a safe place. The printer is ready for operation.		

Example 2

This example shows how to save a configuration as a named configuration.

Step	Press	LCD	Notes
1.	Make sure the printer is on.		
2.	ON LINE/CLEAR 	OFFLINE QUICK SETUP	
3.	 + 	ENTER SWITCH UNLOCKED	Allows you to make configuration changes.
		OFFLINE QUICK SETUP	
4.	 UNTIL	OFFLINE CONFIG. CONTROL	
5.		CONFIG. CONTROL Load Config.	
6.	 UNTIL	CONFIG. CONTROL Name Configs.	
7.		Name Configs. 1	The LCD flashes.
8.	 UNTIL	Name Configs 2	You will rename config 2.
9.		2 2*	
10.	 UNTIL	2 T	Cycle through the choices until "T" displays.

Step	Press	LCD	Notes
11.		2 T_	Saves the first character.
12.	 UNTIL	2 TE	Cycle through the choices until "E" displays.
13.		2 TE_	Saves the second character.
14.	 UNTIL	2 TES	Cycle through the choices until "S" displays.
15.		2 TES_	Saves the third character.
16.	 UNTIL	2 TEST	Cycle through the choices until "T" displays.
17.		2 TEST_	Saves the fourth character.
18.	ENTER 	Name Configs TEST	The configuration is renamed TEST.
19.		CONFIG. CONTROL Name Configs	
20.	 UNTIL	CONFIG. CONTROL Save Config.	
21.		Save Config. 1*	

Step	Press	LCD	Notes
22.		Save Config. TEST	TEST now appears as one of configuration choices.
23.	ENTER 	Saving Configuration	
24.	 + 	Save Config. TEST*	Your configuration is saved as TEST.
		ENTER SWITCH LOCKED	Locks the ENTER key.
25.	ON LINE/CLEAR 	ONLINE Ribbon Life = 100%	

Now you have the saved configuration for later use if needed.

Optimizing Print Quality

LP+, IGP/PGL, and IGP/VGL Emulations

You can optimize print quality for darker and sharper barcodes and characters. Doing so, however, will decrease the printer speed.

To optimize print quality, you can change the values of the following configuration parameters:

- **Bar Code Quality (Printer Control menu):** Select “Dark” or “Draft.” Dark prints the darkest images, but at the slowest speed. Draft prints at a faster speed than Dark, but the characters are not as dark. (See page 252 for a written description of Bar Code Quality.)
- **Print Quality (IGP/PGL emulation):** Select “Best” or “High.” Best prints the darkest images, but at the slowest speed. High prints at a faster speed than Best, but the characters are not as dark. (See page 197 for the IGP/PGL Configuration Menu, and page 206 for a written description of Print Quality.)
- **Print Quality (IGP/VGL emulation):** Select “High.” (See page 210 for the IGP/VGL Configuration Menu, and page 217 for a written description of Print Quality.)

OpenPrint Postscript/PDF Emulations

You can optimize print quality for darker and sharper text and barcodes by using the following configuration parameters:

- **Unidirectional (Printer Control menu):** Select “Enable” for best quality but reduced throughput (half speed).
- **Resolution (Postscript/PDF menu):** Select higher values (horizontal by vertical DPI) to get better print quality.

Optimizing Print Speed

LP+, IGP/PGL, and IGP/VGL Emulations

The printer has been configured at the factory for optimal print speed. To optimize print quality instead, you can change values for specific configuration parameters such as Barcode Quality and Print Quality. Doing so, however, will decrease the printer speed.

If you have optimized the printer for print quality, you can change it to optimal speed by selecting the values as follows:

- **Bar Code Quality (Printer Control menu):** Select Draft. (See page 63 for the Configuration Main Menu, and see page 252 for a written description of Bar Code Quality.)
- **Print Quality (IGP/PGL emulation):** Select Dataprocessing. (See page 197 for the IGP/PGL Configuration Menu, and see page 206 for a written description of Print Quality.)
- **Print Quality (IGP/VGL emulation):** Select Dataprocessing. (See page 210 for the IGP/VGL Configuration Menu, and see page 217 for a written description of Print Quality.)

Coax/Twinax Emulation

You can increase print speed by selecting the Enable mode for the Early Print Complete configuration parameter in the Coax/Twinax Emulation. However, if an error occurs while in Enable mode, you may lose data. For more information, refer to “Early Print Complete” on page 227. (For the Coax/Twinax Emulation menu, see page 124.)

OpenPrint Postscript/PDF Emulations

The printer has been configured at the Factory for optimal print quality through the Resolution configuration parameter (Postscript/PDF menu). However, users can reduce the horizontal, vertical, or both DPI values of this menu to increase printer speed. The downside of using a lower DPI value is as follows:

- Print quality is reduced and it can be difficult to read small characters.
- Barcodes may not get detected and optimized (barcodes are not searched for DPI values less than 120).

Users are encouraged to use the Resolution menu to find the right combination of Print Quality, Barcode Optimization, and Print Speed.

Dynamic Menu Options

The main menus for each of the different firmware types have several footnotes based on the possible options installed with the printer. This includes HOST IO connectivity, various hardware/mechanical options, and software emulations and features. The P7000 products dynamically detect options installed and only include relevant menus for the user to configure. The following is a description of the types of installation options and their effect on the main menu:

- **HOST INTERFACE:** Coax, Twinax, Ethernet, and WLAN related menus are only present when the hardware is installed/enabled.
- **NETWORK SETUP:** The NETWORK SETUP menu is only present when Ethernet or WLAN is installed. The WLAN options can vary based on the type of radio card installed with the printer. WLAN Kerberos is included with the Symbol LA4121 radio card, WLAN LEAP is included with the Cisco radio card, and WLAN EAP is included with the Symbol LA5127 radio card.
- **ZTP SETTINGS:** The ZTP SETTINGS menu and its contents are only included with the Zero Tear Pedestal printer.
- **DATE:** This main menu is only present when the Real-Time Clock (RTC) option is installed.
- The Power Stacker and Auto Elevator options are also available for configuration when the SureStak power stacker is installed.
- **QUICK SETUP:** This menu is a collection of popular menus to help users quickly configure the printer. It is also affected by the installed options.

Active Emulations

The emulations present in the printer are based on the firmware installed and the emulation options included. Both are configured from the Factory and do not require any action from the user.

IMPORTANT Be sure to know which type of firmware and options are purchased (see Table 2) to understand the ACTIVE IGP EMUL, ACTIVE EMULATION, and EMULATION main menus.

Table 2. Available Firmware Types and Options

Firmware Type	Optional Emulations Available	ACTIVE IGP EMUL ¹	ACTIVE EMULATION ²	EMULATION ³
P7000 STD	IPDS CTHI PGL/VGL	IGP/PGL*	N/A	IPDS CTHI IGP/PGL LinePrinter+
		IGP/VGL	N/A	IPDS CTHI IGP/VGL LinePrinter+
P7000 TN	PGL/VGL	IGP/PGL*	N/A	IGP/PGL LinePrinter+
		IGP/VGL	N/A	IGP/VGL LinePrinter+
P7000 PCL-II	PGL/VGL	N/A	PCL-II*	PCL-II
			IGP/PGL & LP+	IGP/PGL LinePrinter+
			IGP/VGL & LP+	IGP/VGL LinePrinter+

NOTE:

* = Default Selection

¹ The Active IGP EMULATION menu is only available when the PGL/VGL option is installed.

² The ACTIVE EMULATION menu shows the options “IGP/PGL & LP+” and “IGP/VGL & LP+” when the PGL/VGL option is installed. Otherwise, “LinePrinter+” replaces the options.

³ The selections under the EMULATION menu is based on the ACTIVE IGP EMULATION or ACTIVE EMULATION settings with all Optional Emulations installed.

Table 2. Available Firmware Types and Options

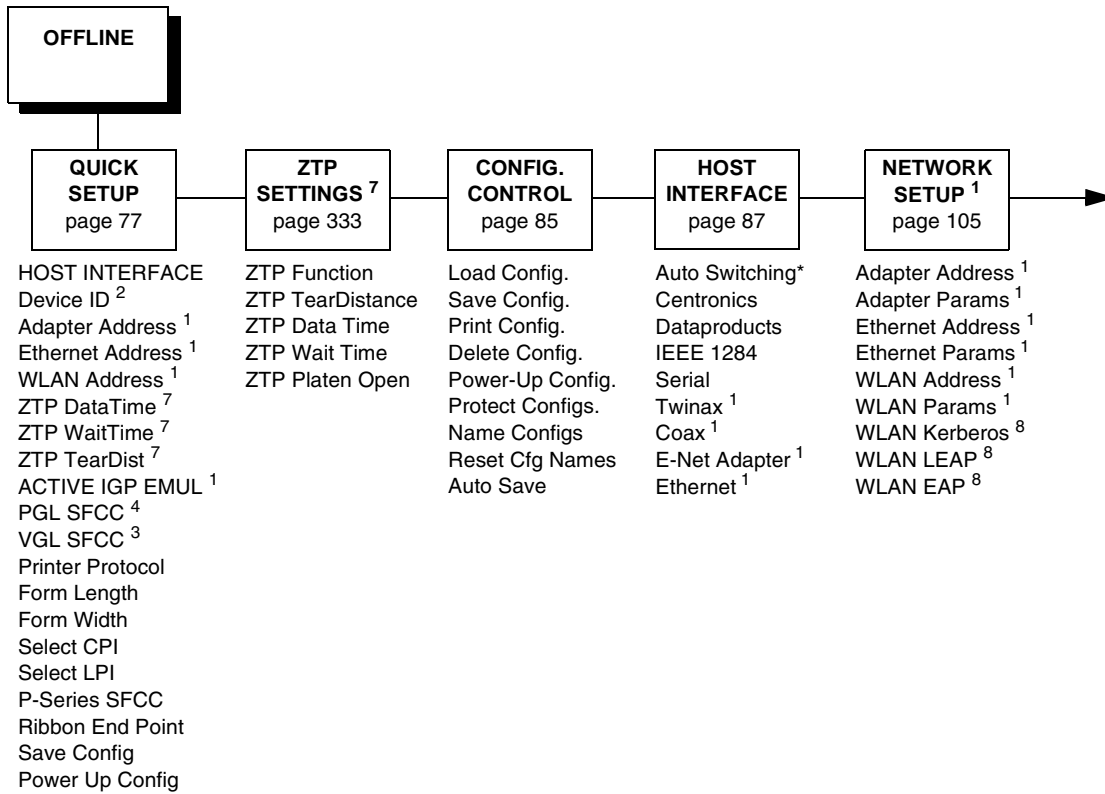
Firmware Type	Optional Emulations Available	ACTIVE IGP EMUL ¹	ACTIVE EMULATION ²	EMULATION ³
P7000 LG	PGL/VGL	N/A	LG*	LG
			IGP/PGL & LP+	IGP/PGL LinePrinter+
			IGP/VGL & LP+	IGP/VGL LinePrinter+
P7000 ANSI	PGL/VGL	N/A	44/48XX-ANSI*	44/48XX-ANSI
			IGP/PGL & LP+	IGP/PGL LinePrinter+
			IGP/VGL & LP+	IGP/VGL LinePrinter+
OpenPrint P7000 STD	PGL/VGL	N/A	Postscript/PDF*	Postscript/PDF
			IGP/PGL & LP+	IGP/PGL LinePrinter+
			IGP/VGL & LP+	IGP/VGL LinePrinter+
OpenPrint P7000 HD	N/A	NA	N/A	Postscript/PDF
<p>NOTE:</p> <p>* = Default Selection</p> <p>¹ The Active IGP EMULATION menu is only available when the PGL/VGL option is installed.</p> <p>² The ACTIVE EMULATION menu shows the options “IGP/PGL & LP+” and “IGP/VGL & LP+” when the PGL/VGL option is installed. Otherwise, “LinePrinter+” replaces the options.</p> <p>³ The selections under the EMULATION menu is based on the ACTIVE IGP EMULATION or ACTIVE EMULATION settings with all Optional Emulations installed.</p>				

Main Menu

Brief descriptions follow for the first-level configuration menu options:

- **QUICK SETUP** — These options allow quick access to the most frequently changed or inputted parameters during the installation of the printer.
- **ZTP SETTINGS** These options allow you to set parameters for zero tear pedestal printers.
- **CONFIG. CONTROL** — These options allow you to save, print, load, delete, name, and reset entire sets of configuration parameters.
- **HOST INTERFACE** — These options allow you to select either the Serial RS-232, Serial RS-422, Centronics® parallel, Dataproducts® parallel and Long Lines, Ethernet™, IEEE® 1284 parallel, Auto Switching, Coax or Twinax interface for the printer. This menu also allows you to configure several parameters for each interface.
- **NETWORK SETUP** — This option allows you to select from Ethernet Address options and Ethernet Parameters options.
- **ACTIVE (IGP) EMUL** — This menu allows you to select the PGL or VGL emulation from the menu if IGP is installed.
- **ACTIVE EMULATION** — This menu allows you to activate the desired emulation or combination of emulations to be used with your printer.
- **EMULATION** — This menu allows you to configure the options which are available for the current operating (active) emulation. For example, if LinePrinter+ is the active emulation, then the LinePrinter+ emulation options can be configured using this menu.
- **SURE SCAN** — This menu is available only for OpenPrint firmware; it allows the user to configure barcode optimization that will replace graphical barcodes with PSA barcodes optimized for the P7000 technology.
- **PRINTER CONTROL** — This menu allows you to select parameters common to a general user, such as display language and Barcode quality.
- **ADVANCED USER** — This menu allows you to select several advanced operating parameters for the printer, such as the speed at which paper will advance when slewing.
- **DIAGNOSTICS** — This menu includes the diagnostic tests, system memory, software build part number, Feature File (if one exists), the shuttle type, and statistics of the printer.
- **DATE** — This menu allows you to set the printer's real time clock. The parameters include hours, minutes, year, month, and day.
- **PRINTER MGMT** — These options allow you to select the PNE port type, port number, port timeout period, status port number, and management port number.

P7000 STD Firmware



¹ If installed.

² If Twinax is selected.

³ If VGL is selected from the ACTIVE IGP EMUL menu.

⁴ If PGL is selected from the ACTIVE IGP EMUL menu.

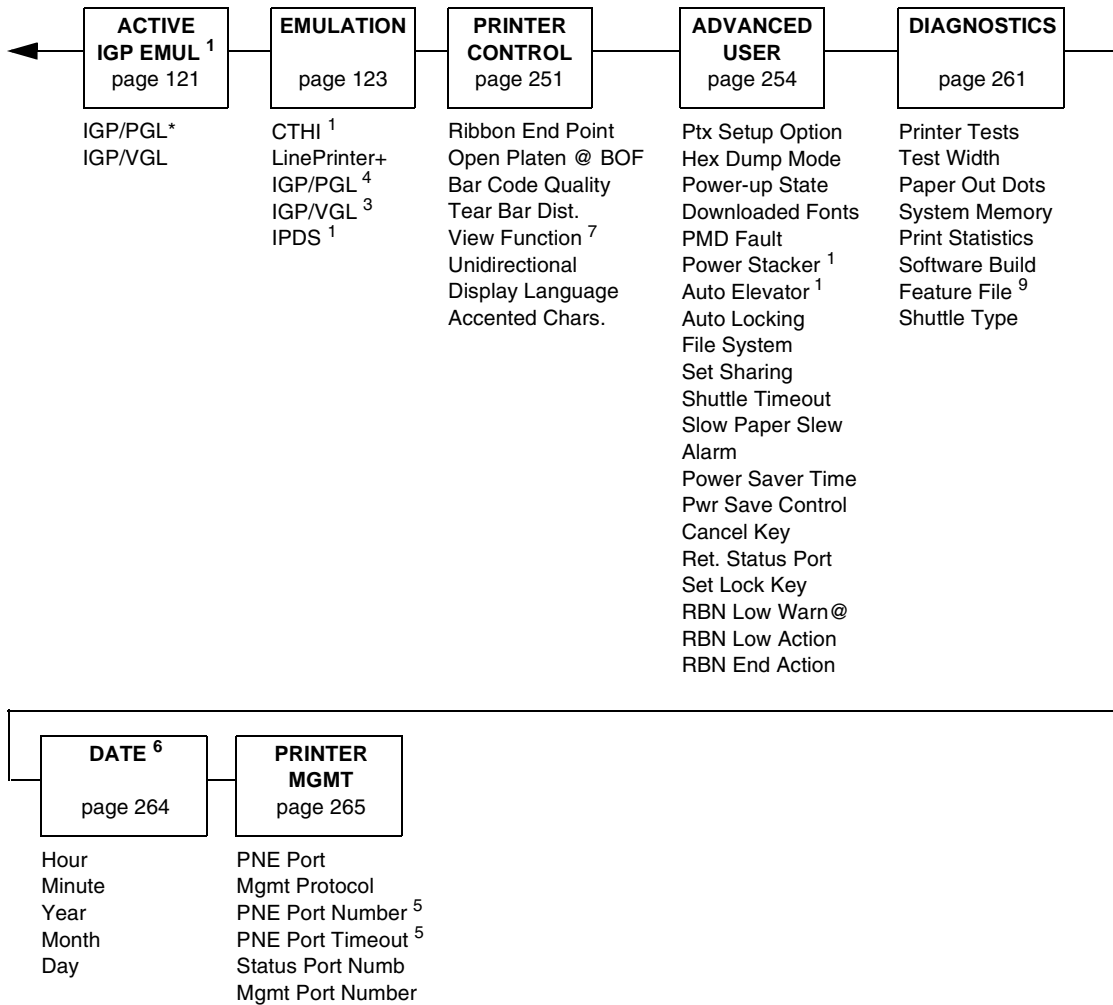
⁵ Not available if PNE Port is set to Serial.

⁶ If Real Time Clock (RTC) option is installed.

⁷ Available for Zero Tear Pedestal printer only.

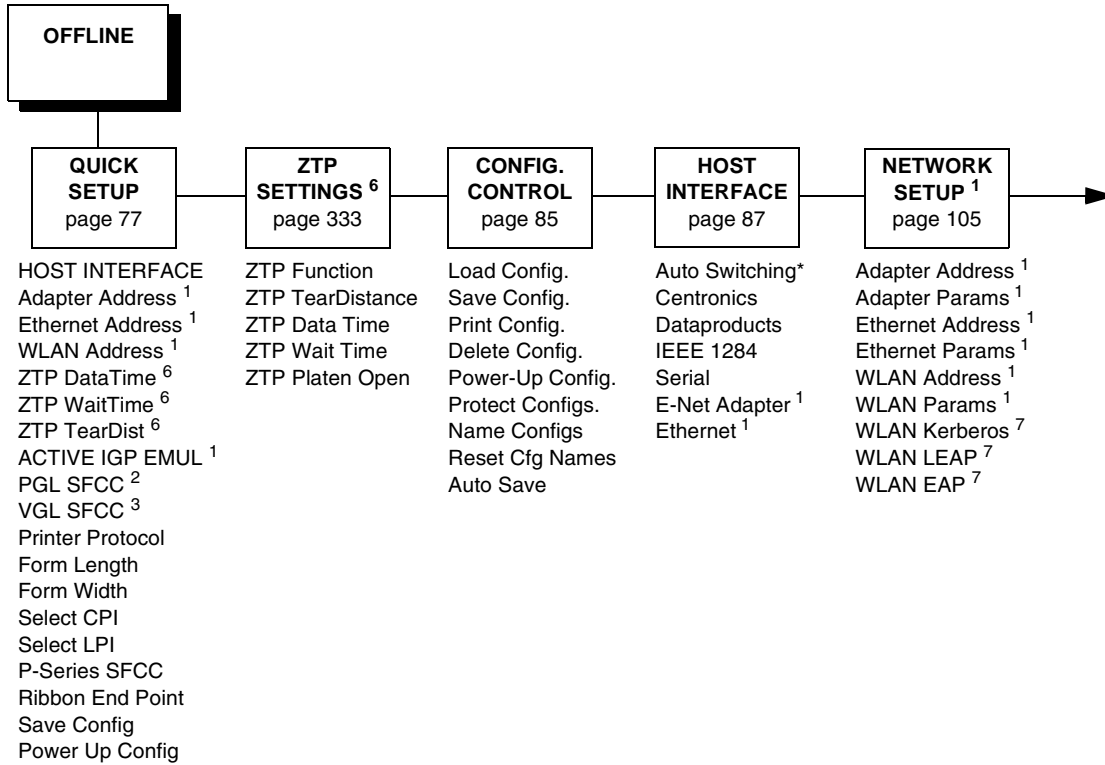
⁸ Based on WLAN radio installed.

⁹ If a Feature File has been downloaded.



¹ If installed.
² If Twinax is selected.
³ If VGL is selected from the ACTIVE IGP EMUL menu.
⁴ If PGL is selected from the ACTIVE IGP EMUL menu.
⁵ Not available if PNE Port is set to Serial.
⁶ If Real Time Clock (RTC) option is installed.
⁷ Available for pedestal printers only.
⁸ Based on WLAN radio installed.
⁹ If a Feature File has been downloaded.

P7000 TN Firmware



¹If installed.

² If PGL is selected from the ACTIVE IGP EMUL menu.

³ If VGL is selected from the ACTIVE IGP EMUL menu.

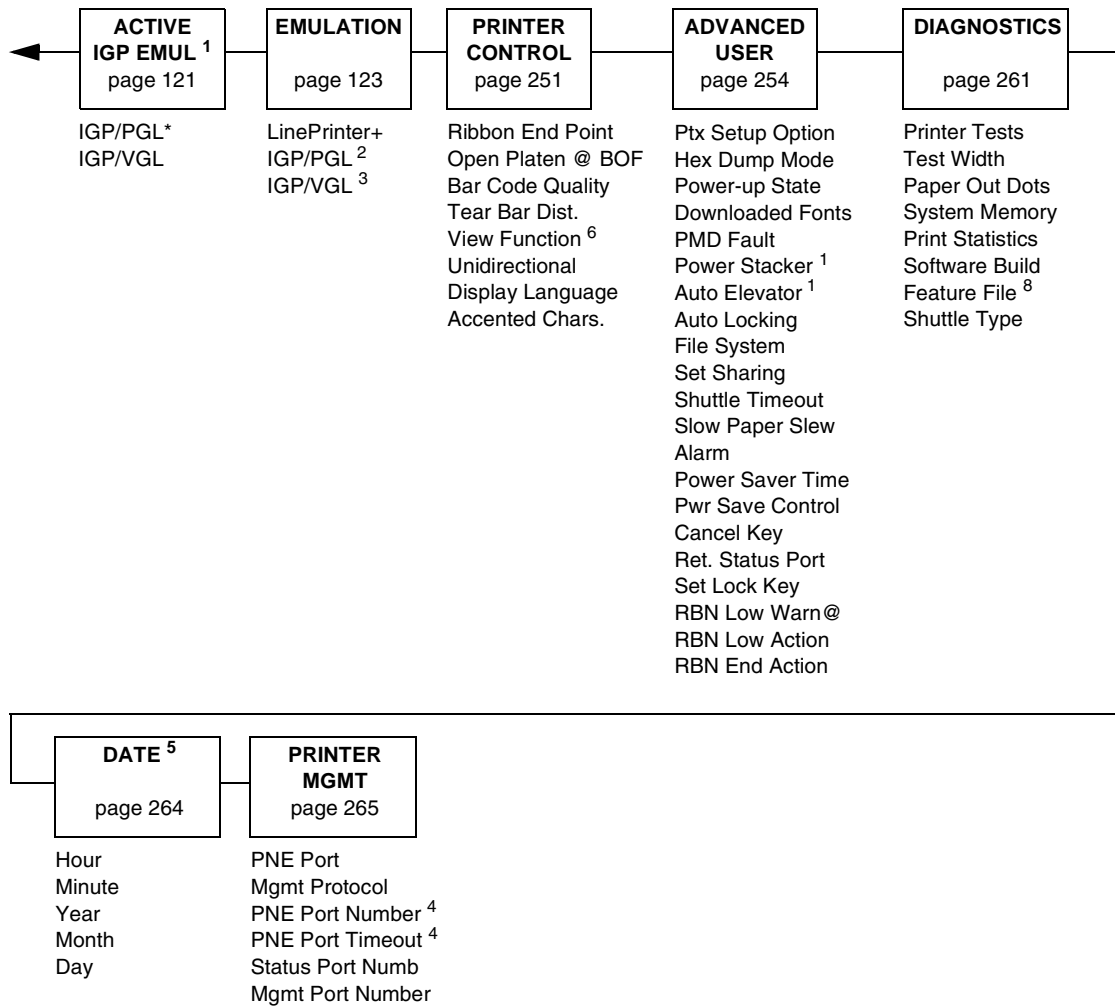
⁴ Not available if PNE Port is set to Serial.

⁵ If Real Time Clock (RTC) option is installed.

⁶ Available for Zero Tear Pedestal printer only.

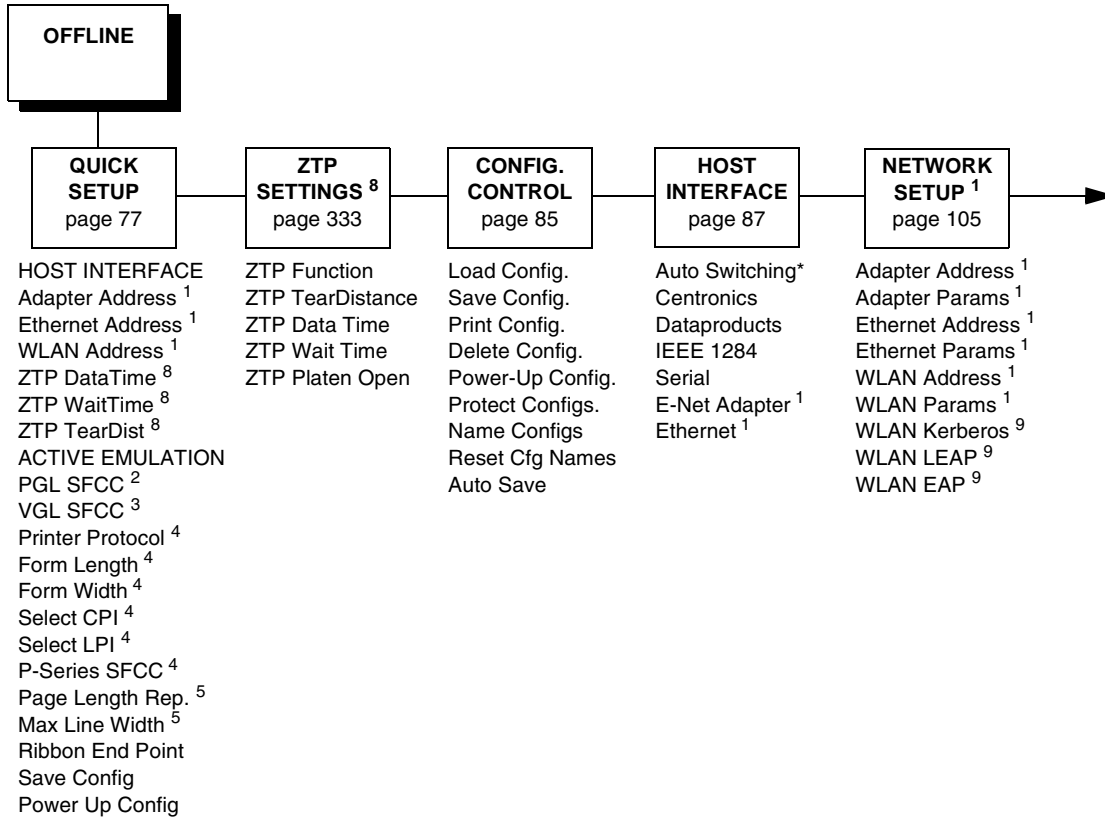
⁷ Based on WLAN radio installed.

⁸ If a Feature File has been downloaded.



¹If installed.
²If PGL is selected from the ACTIVE IGP EMUL menu.
³If VGL is selected from the ACTIVE IGP EMUL menu.
⁴Not available if PNE Port is set to Serial.
⁵If Real Time Clock (RTC) option is installed.
⁶Available for pedestal printers only.
⁷Based on WLAN radio installed.
⁸If a Feature File has been downloaded.

P7000 PCL-II Firmware



¹If installed.

²If PGL is selected from the ACTIVE EMULATION menu.

³If VGL is selected from the ACTIVE EMULATION menu.

⁴If LP+ is selected from the ACTIVE EMULATION menu.

⁵If PCL-II is selected from the ACTIVE EMULATION menu.

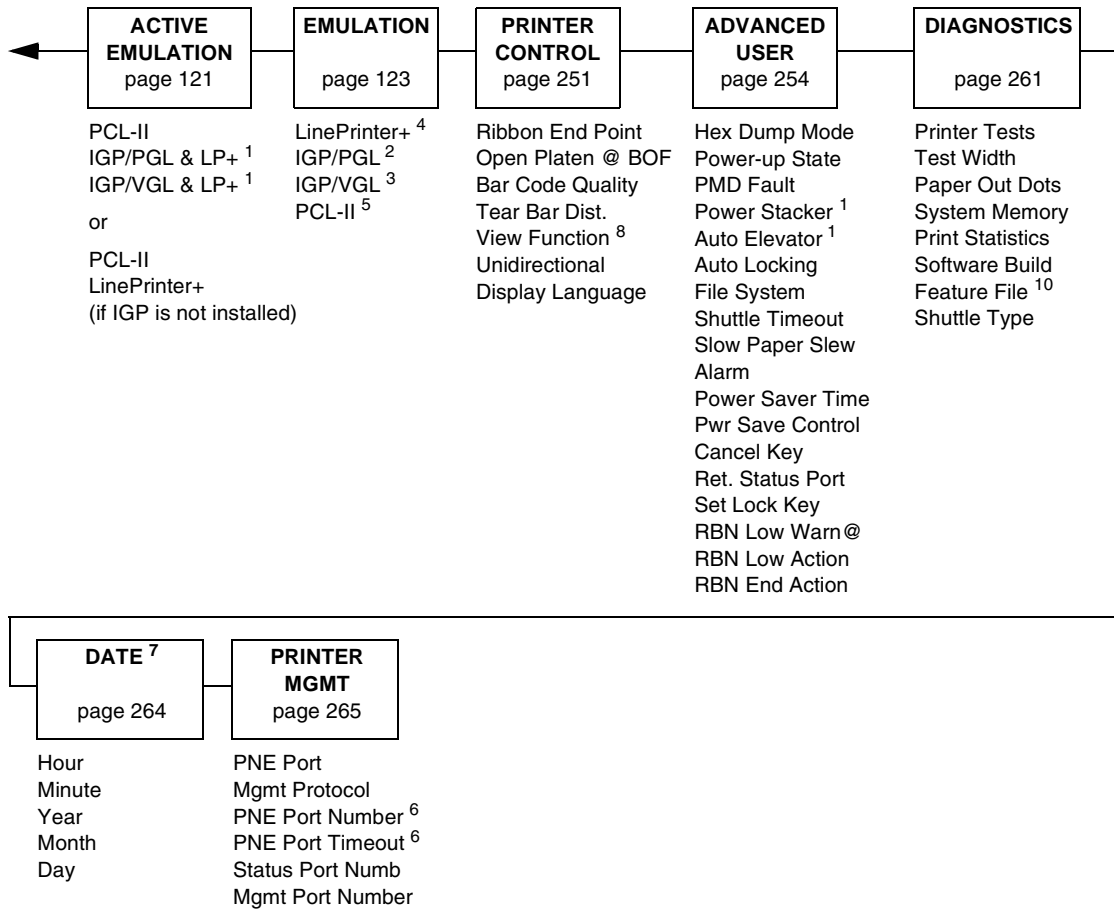
⁶Not available if PNE Port is set to Serial.

⁷If Real Time Clock (RTC) option is installed.

⁸Available for Zero Tear Pedestal printer only.

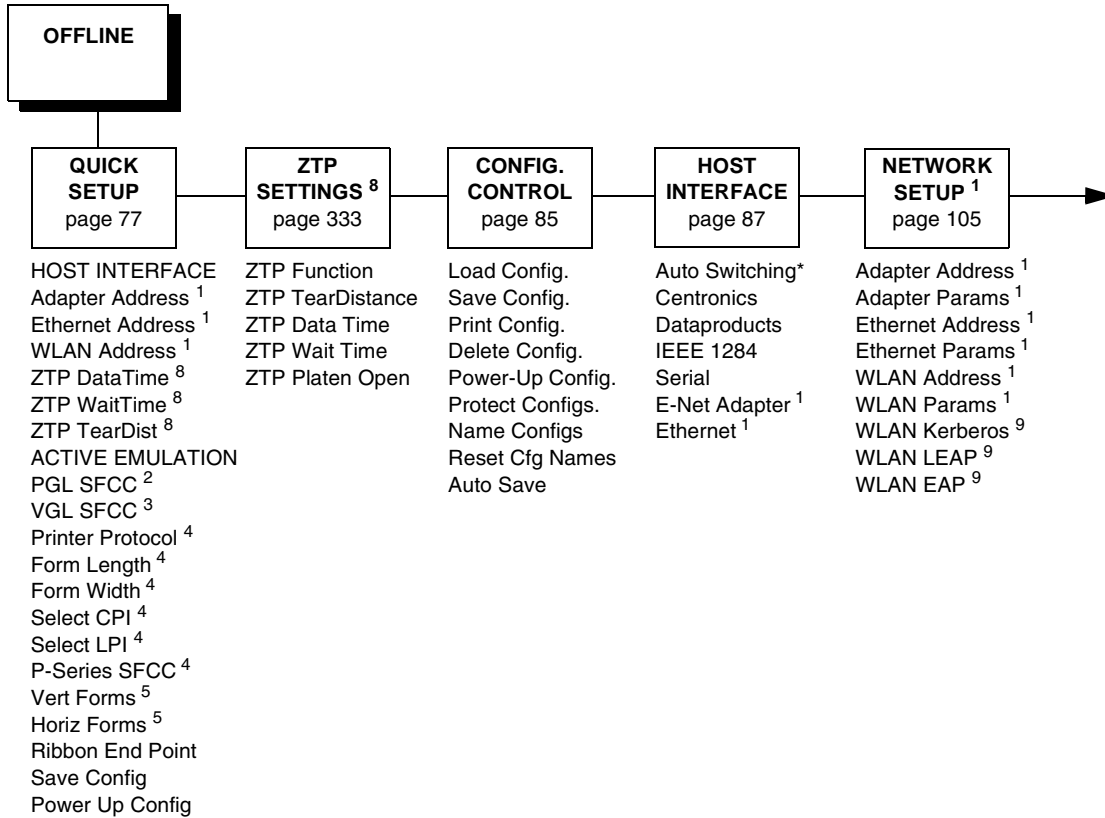
⁹Based on WLAN radio installed.

¹⁰If a Feature File has been downloaded.



¹If installed.
² If PGL is selected from the ACTIVE EMULATION menu.
³ If VGL is selected from the ACTIVE EMULATION menu.
⁴ If LP+ is selected from the ACTIVE EMULATION menu.
⁵ If PCL-II is selected from the ACTIVE EMULATION menu.
⁶ Not available if PNE Port is set to Serial.
⁷ If Real Time Clock (RTC) option is installed.
⁸ Available for pedestal printers only.
⁹ Based on WLAN radio installed.
¹⁰ If a Feature File has been downloaded.

P7000 LG Firmware



¹If installed.

² If PGL is selected from the ACTIVE EMULATION menu.

³ If VGL is selected from the ACTIVE EMULATION menu.

⁴ If LP+ is selected from the ACTIVE EMULATION menu.

⁵ If LG is selected from the ACTIVE EMULATION menu.

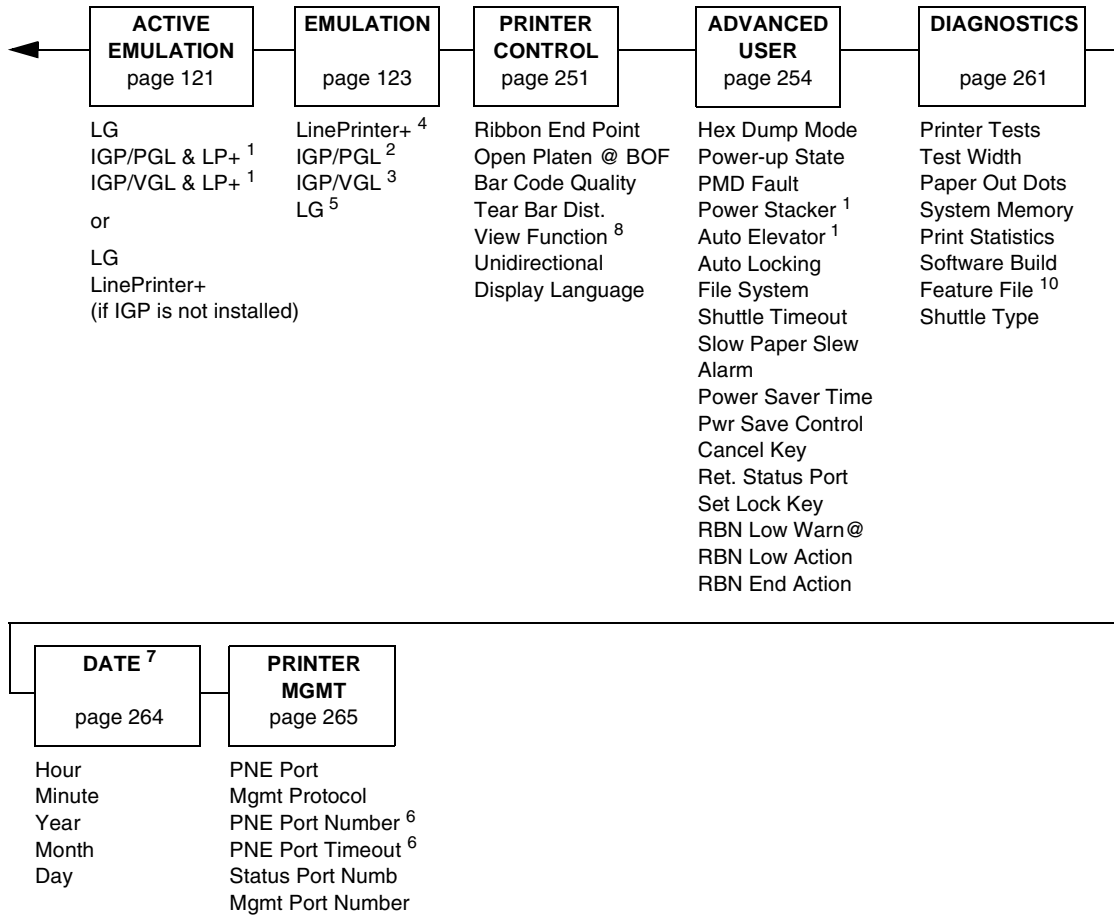
⁶ Not available if PNE Port is set to Serial.

⁷ If Real Time Clock (RTC) option is installed.

⁸ Available for Zero Tear Pedestal printer only.

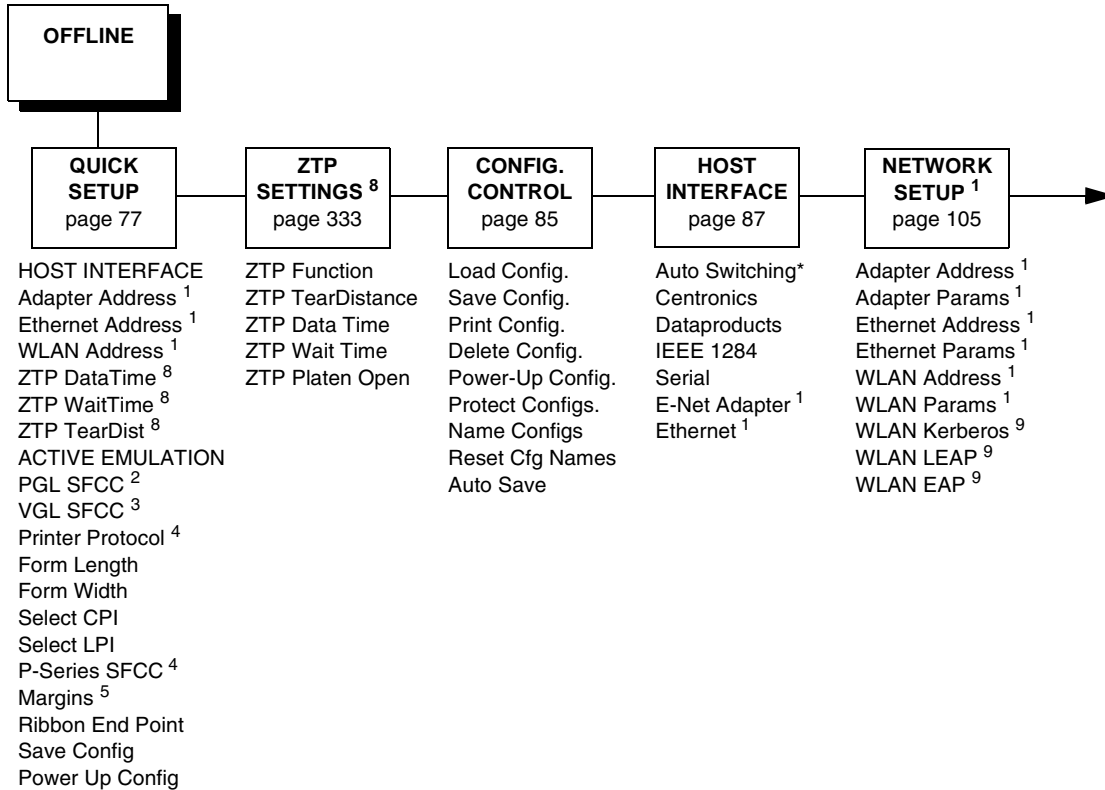
⁹ Based on WLAN radio installed.

¹⁰ If a Feature File has been downloaded.



¹If installed.
² If PGL is selected from the ACTIVE EMULATION menu.
³ If VGL is selected from the ACTIVE EMULATION menu.
⁴ If LP+ is selected from the ACTIVE EMULATION menu.
⁵ If LG is selected from the ACTIVE EMULATION menu.
⁶ Not available if PNE Port is set to Serial.
⁷ If Real Time Clock (RTC) option is installed.
⁸ Available for pedestal printers only.
⁹ Based on WLAN radio installed.
¹⁰ If a Feature File has been downloaded.

P7000 ANSI Firmware



¹If installed

²If PGL is selected from the ACTIVE EMULATION menu.

³If VGL is selected from the ACTIVE EMULATION menu.

⁴If LP+ is selected from the ACTIVE EMULATION menu.

⁵If ANSI is selected from the ACTIVE EMULATION menu.

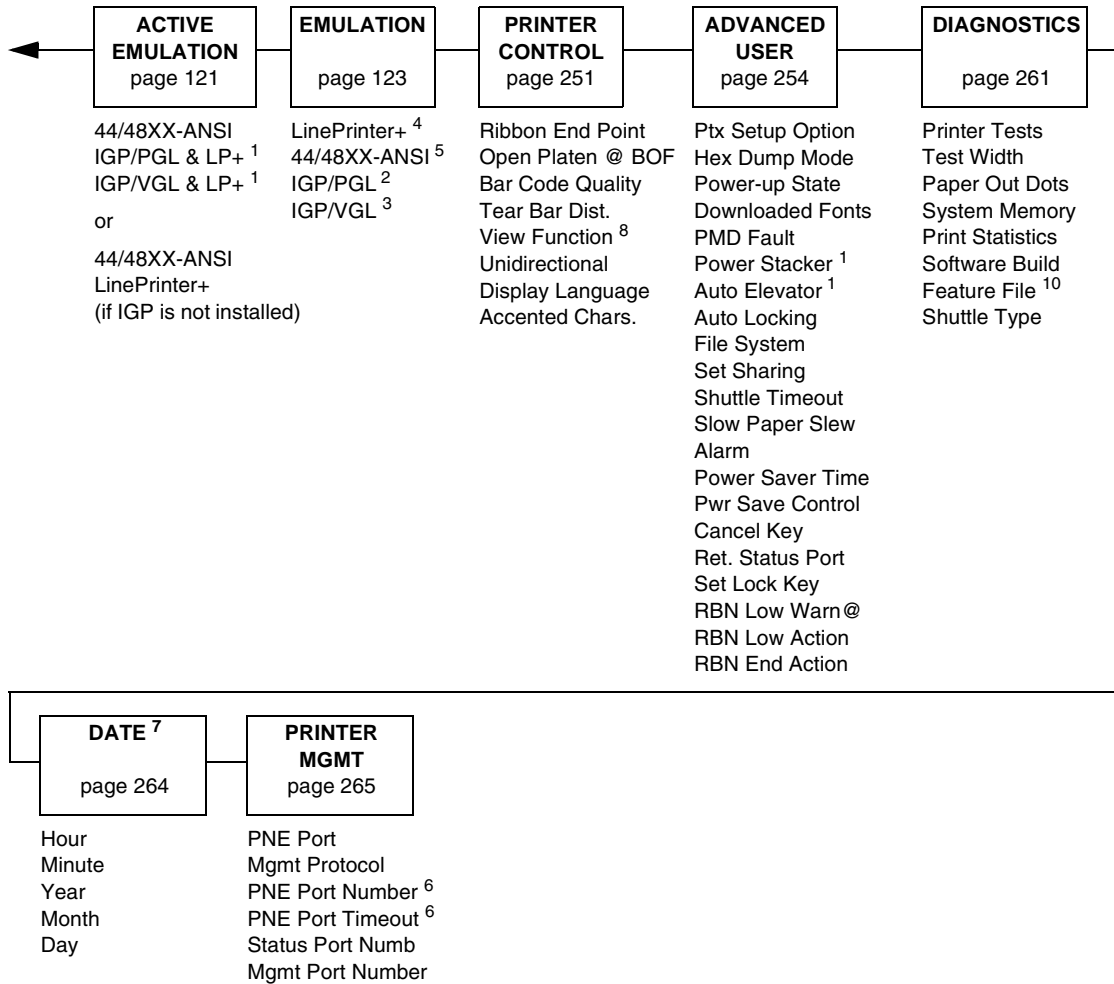
⁶Not available if PNE Port is set at Serial.

⁷If Real Time Clock (RTC) option is installed.

⁸Available for Zero Tear Pedestal printer only.

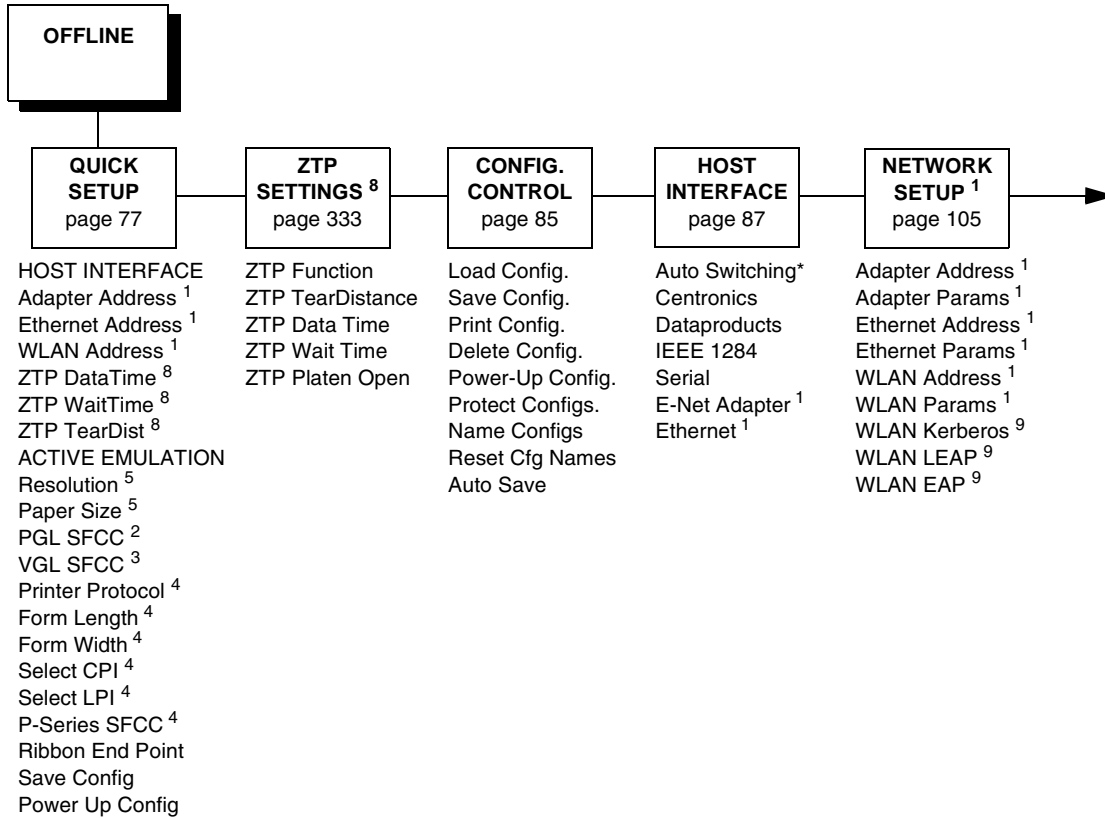
⁹Based on WLAN radio installed.

¹⁰If a Feature File has been downloaded.



¹If installed
² If PGL is selected from the ACTIVE EMULATION menu.
³ If VGL is selected from the ACTIVE EMULATION menu.
⁴ If LP+ is selected from the ACTIVE EMULATION menu.
⁵ If ANSI is selected from the ACTIVE EMULATION menu.
⁶ Not available if PNE Port is set at Serial.
⁷ If Real Time Clock (RTC) option is installed.
⁸ Available for pedestal printers only.
⁹ Based on WLAN radio installed.
¹⁰ If a Feature File has been downloaded.

OpenPrint P7000 STD Postscript/PDF Firmware



¹If installed

² If PGL is selected from the ACTIVE EMULATION menu.

³ If VGL is selected from the ACTIVE EMULATION menu.

⁴ If LP+ is selected from the ACTIVE EMULATION menu.

⁵ If Postscript/PDF is selected from the ACTIVE EMULATION menu.

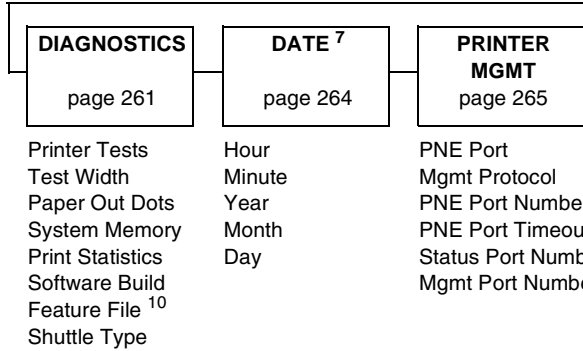
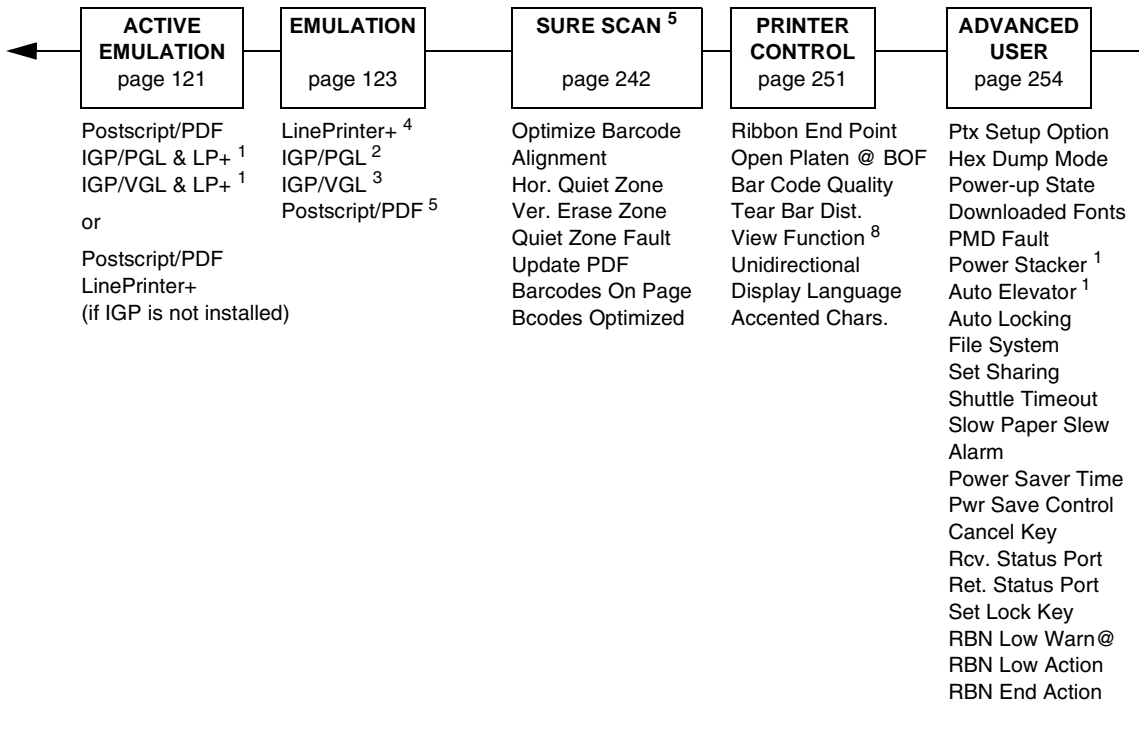
⁶ Not available if PNE Port is set at Serial.

⁷ If Real Time Clock (RTC) option is installed.

⁸ Available for Zero Tear Pedestal printer only.

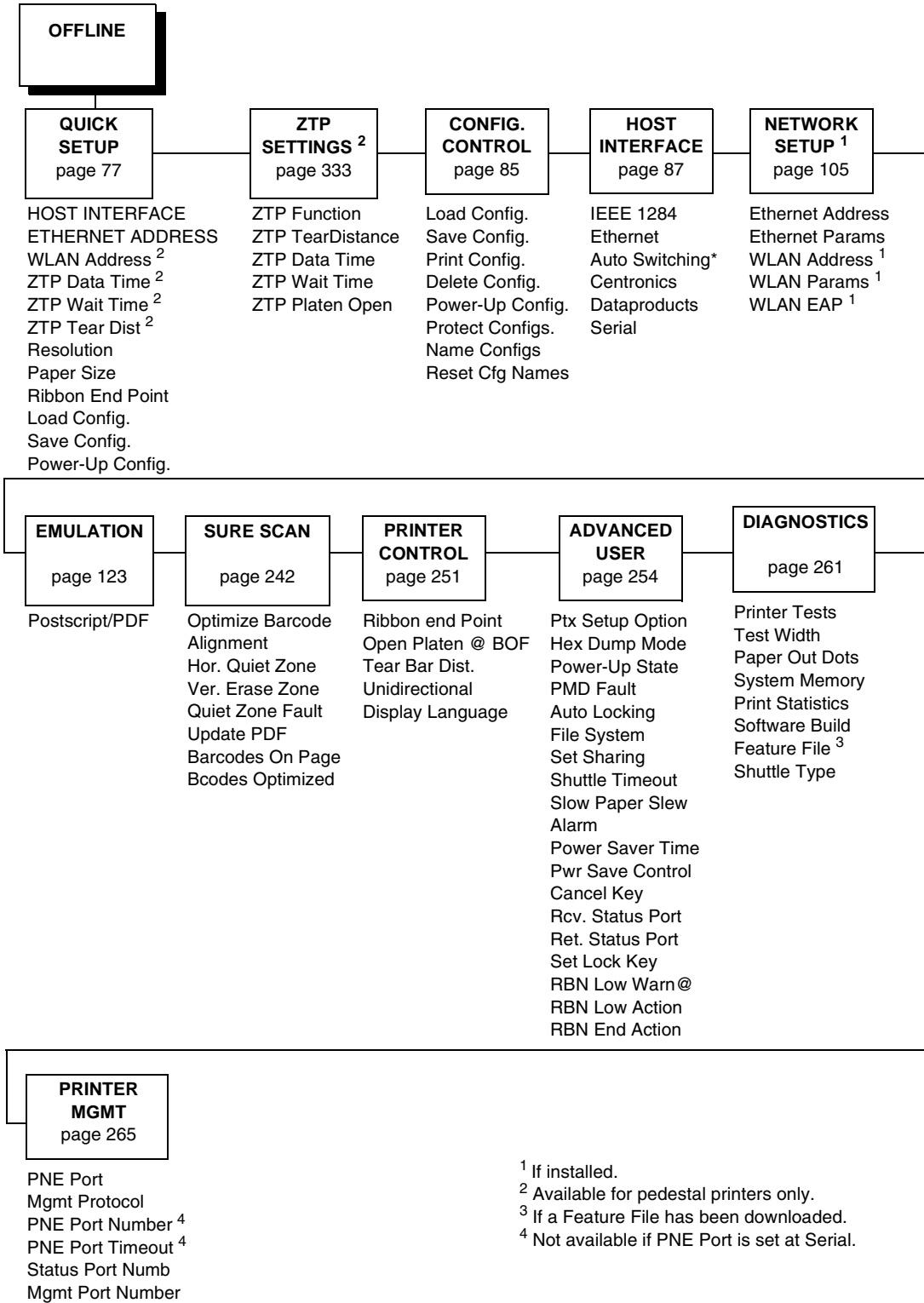
⁹ Based on WLAN radio installed.

¹⁰ If a Feature File has been downloaded.



¹ If installed
² If PGL is selected from the ACTIVE EMULATION menu.
³ If VGL is selected from the ACTIVE EMULATION menu.
⁴ If LP+ is selected from the ACTIVE EMULATION menu.
⁵ If Postscript/PDF is selected from the ACTIVE EMULATION menu.
⁶ Not available if PNE Port is set at Serial.
⁷ If Real Time Clock (RTC) option is installed.
⁸ Available for pedestal printers only.
⁹ Based on WLAN radio installed.
¹⁰ If a Feature File has been downloaded.

OpenPrint P7000 HD Postscript/PDF Firmware



QUICK SETUP Menu

When the printer is in offline mode, QUICK SETUP is the first Main Menu option that appears on the control panel. The QUICK SETUP menu offers basic menu items required to configure your printer. This section describes the options within the QUICK SETUP menu.

NOTE: The options in your menu will vary depending on the firmware, host IO, emulations selected, and other features available with your printer.

Host Interface

The Host Interface menu enables you to select and configure interfaces between the printer and your host computer.

Device ID

This parameter defines the printer emulation as IPDS, 4234-2 or 5225. After the emulation has been changed, a POR status is sent to the host. IPDS is the default.

Adapter Address

- **IP Address.** A numeric address such as 123.45.61.23 which identifies a printer or server in a LAN or WAN.
- **Subnet Mask.** A binary value used to divide IP networks into smaller subnetworks or subnets. This mask is used to help determine whether IP packets need to be forwarded to other subnets.
- **Gateway Address.** A gateway address is the IP address of a hardware device (gateway) that translates data between two incompatible networks, which can include protocol translation.
- **MAC Address.** This menu item is the Manufacturer's Assigned Number, and is unique for each printer. It is read-only.
- **DHCP.** You can enable/disable the DHCP protocol using this option, but consult your administrator for the appropriate setting.

Ethernet Address

- **IP Address.** A numeric address such as 123.45.61.23 which identifies a printer or server in a LAN or WAN.
- **Subnet Mask.** A binary value used to divide IP networks into smaller subnetworks or subnets. This mask is used to help determine whether IP packets need to be forwarded to other subnets.
- **Gateway Address.** A gateway address is the IP address of a hardware device (gateway) that translates data between two incompatible networks, which can include protocol translation.
- **MAC Address.** This menu item is the Manufacturer's Assigned Number, and is unique for each printer. It is read-only.
- **DHCP.** You can enable/disable the DHCP protocol using this option, but consult your administrator for the appropriate setting.

WLAN Address

- **IP Address.** A numeric address such as 123.45.61.23 which identifies a printer or server in a LAN or WAN.
- **Subnet Mask.** A binary value used to divide IP networks into smaller subnetworks or subnets. This mask is used to help determine whether IP packets need to be forwarded to other subnets.
- **Gateway Address.** A gateway address is the IP address of a hardware device (gateway) that translates data between two incompatible networks, which can include protocol translation.
- **MAC Address.** This menu item is the Manufacturer's Assigned Number, and is unique for each printer. It is read-only.
- **DHCP.** You can enable/disable the DHCP protocol using this option, but consult your administrator for the appropriate setting.

ZTP DataTime

This option sets the pause time in the data stream that the ZTP requires before moving the form to the tear bar once a print job is completed. The values range from .5 to 5 seconds. The default is .5 seconds.

ZTP WaitTime

This option sets the minimum amount of time that the form stays at the tear bar. This allows you time to remove the form before the form is retracted to print the next form. The adjustable values range from 500 to 5000 milliseconds in increments of 500 milliseconds. The default value is 2 seconds.

ZTP TearDist

This option sets the tear off distance from the current print position to the tear bar. Adjustable values in increments of 1/144th of an inch range from 200 to 2880. The up and down arrows adjust the display value. When you press the ENTER key, the selected value is stored and a scale is printed to indicate the current tear off position. The default value is 1060.

NOTE: When a new value is selected, the printer will lose the current print position. You must reset the top of form to automatically save the new value.

Active Emulation

The Active Emulation menu enables you to select a combination of emulations as described in Table 2 on page 61.

Active IGP Emulation

The Active IGP Emulation menu enables you to activate either the PGL or VGL emulation. This menu is only available with the P7000 STD and TN firmware as described in Table 2 on page 61.

PGL SFCC

You can specify which hex code (1-FF) will be used as the Special Function Control Character (SFCC). The SFCC denotes that the following data is an IGP command.

- 7E (default)
- 1 – FF

VGL SFCC

You can specify which hex code (1-FF) will be used as the Special Function Control Character (SFCC). The SFCC denotes that the following data is an IGP command.

- 5E (default)
- 1 – FF

Printer Protocol

Select the LinePrinter+ protocol you wish to use. Refer to the *LinePrinter Plus Programmer's Reference Manual* for more information.

Form Length

Form length is the number of lines that can be printed on a page. You can set the form length in inches, millimeters (mm), or as a function of the current lpi (lines per inch).

Form Width

The form width can be specified in inches, millimeters, or as a function of the current cpi (characters per inch). The forms width set should not exceed the actual paper width.

Select CPI

This parameter allows you to specify the characters per inch (cpi) values. The options are 10.0, 12.0, 13.3, 15.0, 17.1, and 20.0. The factory default is 10.0 CPI.

Select LPI

This parameter allows you to specify the lines per inch (lpi) values. The options are 6.0, 8.0, and 10.3 LPI. The factory default is 6.0 LPI.

P-Series SFCC

This parameter allows you to select which ASCII codes will function as the Special Function Control Code (SFCC) command delimiter. P-Series codes can use hex 00 through hex 7F. Options include the following:

- **SOH (hex 01)** (default)
- **ESC (hex 1B)**
- **ETX (hex 03)**
- **CIRCUMFLEX (hex 5E)** – also called caret (^)
- **TILDE (hex 7E)** – (~)

NOTE: SOH, ETX, and ESC are non-printables. The characters (^) and (~) are printable; however, do not use them as printables in the host data stream if either is chosen as a delimiter because print errors will occur.

Margins

- **Left Margin.** Set in columns. Column zero is defined as the far left edge of the page, and column numbering increments from left to right.
- **Right Margin.** Set in columns. Column zero is defined as the far right edge of the page, and column numbering increments from right to left.
- **Top Margin.** Defined in lines, starting from line zero at the top of the page and incrementing from the top down.
- **Bottom Margin.** Defined in lines, starting from line zero at the bottom of the page and incrementing from the bottom up.

Form Length

Form length is the number of lines that can be printed on a page. You can set the form length in inches, millimeters (mm), or as a function of the current lpi (lines per inch).

Form Width

The form width can be specified in inches, millimeters, or as a function of the current cpi (characters per inch). The forms width set should not exceed the actual paper width.

Vert Forms

- **Bot Frm 66/6** (default). This option sets the bottom margin for the forms. You must specify the bottom margin in lines (at 6 lines per inch), ranging from 0 to 198 lines (33 inches). The default setting is 66. Press the right arrow to increase the value, left arrow to decrease the value, and ENTER to change units. Selecting a value for this option resets the top margin to 0, so the top margin must be redefined after this option is selected.
- **Top Mrg 6/0** This option sets the top margin for the forms. You must specify the top margin in lines (at 6 lines per inch), ranging from 0 to 198 lines (33 inches). The default setting is 0. Press the right arrow to increase the value, left arrow to decrease the value, and ENTER to change units. The margins will automatically adjust so that the top and bottom margins do not cross each other.

Horiz Forms

- **Left Mgr 0.00** (default). This sets the left margin for the forms. You must specify the left margin in 1/10 inch increments, from 0 to 13.1 inches. The default value is 0. Press the right arrow to increase the value, left arrow to decrease the value, and ENTER to change units. The margins will automatically adjust so that the left and right margins do not cross each other.
- **Right Mrg 13.2**. This sets the right margin for the forms. You must specify the right margin in 1/10 inch increments, from 0.1 to 13.2 inches. The default value is 13.2. Press NEXT to increase the value, PREV to decrease the value, and ENTER to change units. The margins will automatically adjust so that the left and right margins do not cross each other.

Page Length Rep

- **Inches/Page** (default). Allows the user to set the page length in inches.
- **Lines/Page**. Allows the user to set the page length in number of lines.

Max Line Width

Set the maximum line width at either 13.2 inches or the maximum width of the printer.

Resolution

This parameter defines the default print resolution. This selection is used when either the print resolution is not defined by the data stream or if the print resolution defined by the data stream is not supported.

The following resolutions are available on OpenPrint P7000 STD:

- **120x144 DPI** (default)
- **90 x 96 DPI**

The following resolutions are available on Openprint P7000 HD:

- **180x180 DPI** (default)
- **180x90 DPI**
- **90x180 DPI**
- **120x120 DPI**
- **90x90 DPI**

Paper Size

This parameter allows selection of available paper sizes. Available options include:

- **Custom.** Sets a user-defined paper size.
 - **Width.** Defines the paper width. The range is 1" to 15" in 0.1 inch increments. The default is 13.6 inches.
 - **Length.** Defines the paper length. The default is 11 inches. Three length options are available:
 - **Inches.** Defines the length in inches. The range is 1" to 24" in 0.1 inch increments.
 - **1/6 Inch Lines.** Defines the length in 1/6 inch lines. The range is 6 to 144 lines.
 - **1/8 Inch Lines.** Defines the length in 1/8 inch lines. The range is 8 to 192 lines.

To set a custom length, use the appropriate menu that allows for selection of the exact paper length to avoid loss of top-of-form (i.e., if using a 12" paper, select either the "Inches" menu set to 12" or the "1/6 Inch Lines" menu set to 72. However, if using a 11 2/3 inch paper length, the "1/6 Inch Lines" menu must be used (set to 70) since that is exactly 11 2/3 inches. If the "Inches" menu is used, the closest values would be 11.6 or 11.7 inches which are not exact.

The printer will indicate which of the three length menus was used by showing that submenu first when entering the "Length" menu. The configuration printout will also show the length menu used.

- See Table 3 for paper size options and actual sizes.

Table 3. Paper Size Options and Actual Size

Paper Size	Actual Size
US Fanfold	13.6 x 11 in
Letter	8.5 x 11 in
Legal	8.5 x 14 in
Executive	7.3 x 10.5 in
A3	11.7 x 16.5 in
A4	8.3 x 11 2/3 in
A5	5.8 x 8.3 in
A6	4.1 x 5.8 in
Fanfold 10x14in	10 x 14 in
Tabloid 11x17in	11 x 17 in
Fanfold 12x12in	12 x 12 in
JIS B5	7.2 x 10.1 in
US Folio	8.5 x 13 in
No. 10 Envelope	4.1 x 9.5 in
DL Envelope	4.3 x 8.7 in
C5 Envelope	6.4 x 9 in
C6 Envelope	4.5 x 6.4 in
ISO B5	6.9 x 9.8 in

Ribbon End Point

This parameter adjusts the point at which the system will declare the ribbon as being expended. The life count will always be from 100% to 0%, but if a darker setting is selected 0% will be reached more quickly. If a lighter setting is selected, the system will extend the time it takes to reach 0%.

Load Config.

The printer can store numerous configurations in memory. This parameter allows you to select and load a specific configuration.

Save Config

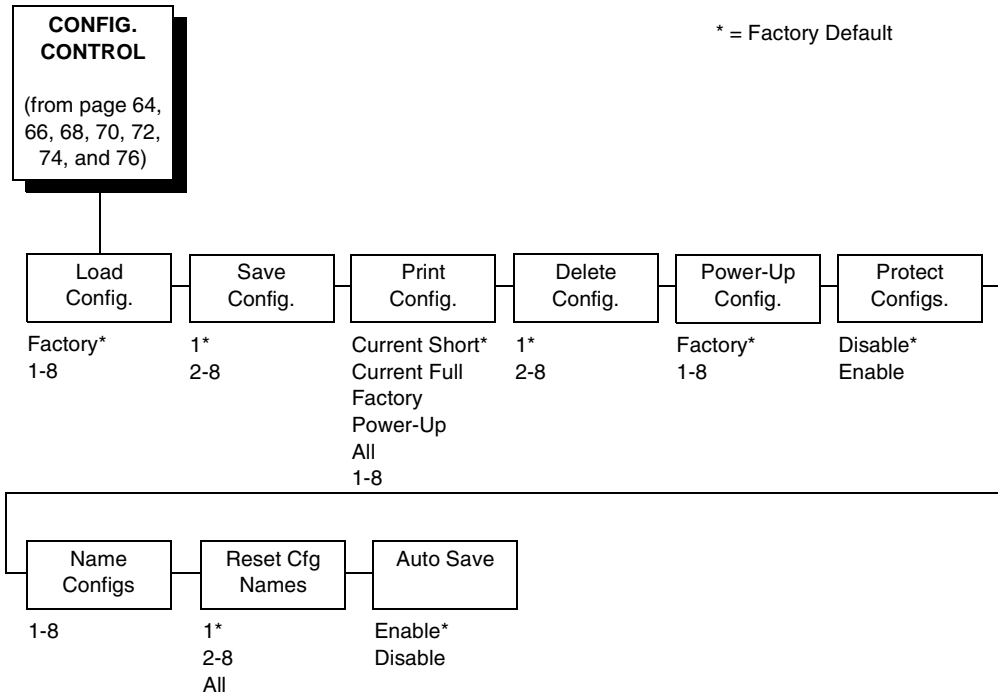
This option allows you to save up to eight configurations to meet different print job requirements. This eliminates the need to change the parameter settings for each new job. The configurations are stored in memory and will not be lost if you turn off the printer. If the Protect Configs. parameter is enabled, the new configuration will not be saved unless the existing configuration has been deleted first. The factory default configuration cannot be changed. See “Saving Your New Configuration” on page 53 for details.

Power Up Config

This option allows you to specify which of the nine configurations (Factory or 1-8) will be the power-up configuration.

CONFIG. CONTROL Menu

The CONFIG. CONTROL menu allows you to control your printer's configurations according to the specifications necessary for your print jobs.



Load Config.

The printer can store numerous configurations in memory. This parameter allows you to select and load a specific configuration.

Save Config.

This option allows you to save up to eight configurations to meet different print job requirements. This eliminates the need to change the parameter settings for each new job. The configurations are stored in memory and will not be lost if you turn off the printer. If the Protect Configs. parameter is enabled, the new configuration will not be saved unless the existing configuration has been deleted first. The factory default configuration cannot be changed. See "Saving Your New Configuration" on page 53 for details.

Print Config.

This option is used to print a listing of various stored printer configurations. Store printouts of your configurations in a safe place for quick referral.

Delete Config.

You can delete one or all of your eight customized configurations. The factory default configuration cannot be deleted.

Power-Up Config.

You can specify which of the nine configurations (Factory or 1-8) will be the power-up configuration.

Protect Configs.

You can specify whether or not a new configuration should overwrite an existing configuration when you activate the Save Configs. parameter. When disabled (default), the new configuration will overwrite the existing configuration. When enabled, the new configuration will *not* overwrite the existing configuration, and the message "CONFIG. EXISTS / Delete First" displays.

Name Configs

You may specify a 15-character name which can be used to refer to a configuration. The name you enter for a configuration will be used in the Load Config., Save Config., Print Config., Delete Config., and Power-Up Config. menus. The name can only be cleared by using the Reset Cfg Names menu.

When you move into the Name Configs. menu, the top line of the display shows the current configuration name. The second line of the display is initially the same as the top line. You can modify the second line of the display without affecting the top line until the ENTER key is pressed, which sets the modified name.

Press the UP or DOWN (Δ or ∇) keys to cycle through the values available for that character at the cursor location. Press the NEXT (\triangleright) key to move to the next character to be modified. Press the PREV key (\triangleleft) to go back to a character you have already modified. Continue until you have entered the name you want to give to this configuration, then press ENTER to save. The name you entered will now represent this configuration on the printer's front panel. To exit this menu without saving, press any key other than the ENTER key. The configuration name will revert to the last saved value.

Reset Cfg Names

You can reset specific configuration names back to the default value of the configuration number.

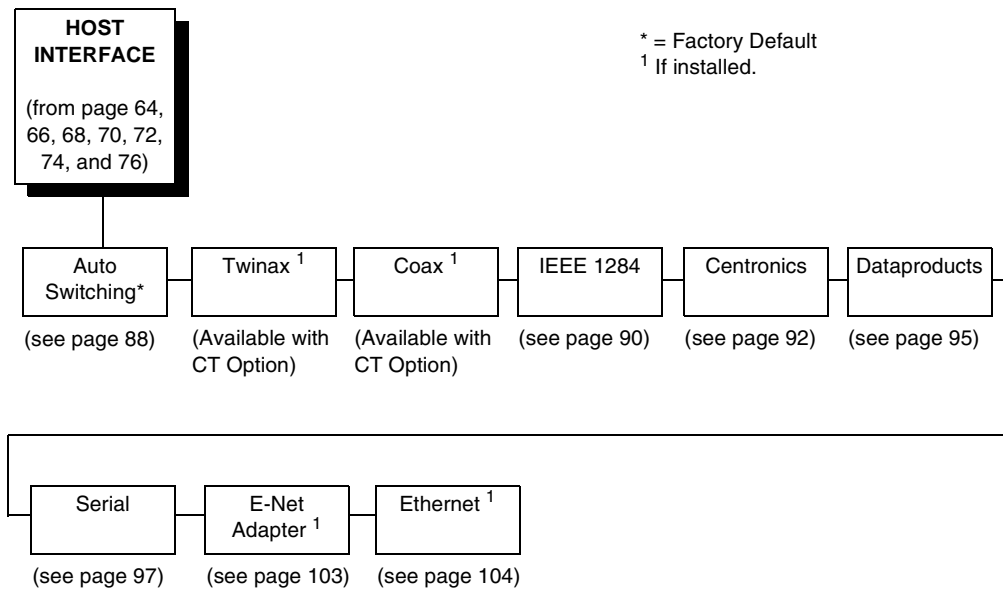
Auto Save

- **Enable** (default). When a change has been made to a Config. menu, this option automatically prompts the user to save or not save the change to a Config #.

If you are currently in the Factory Config. menus and make a change, pressing ENTER saves to Config 1 or the next available Config. and becomes the Power-Up Config. If the Current Config is Config 1 and a menu change is made, pressing ENTER will save the change to Config 1.

- **Disable**. The printer will not prompt you to save any changes made.

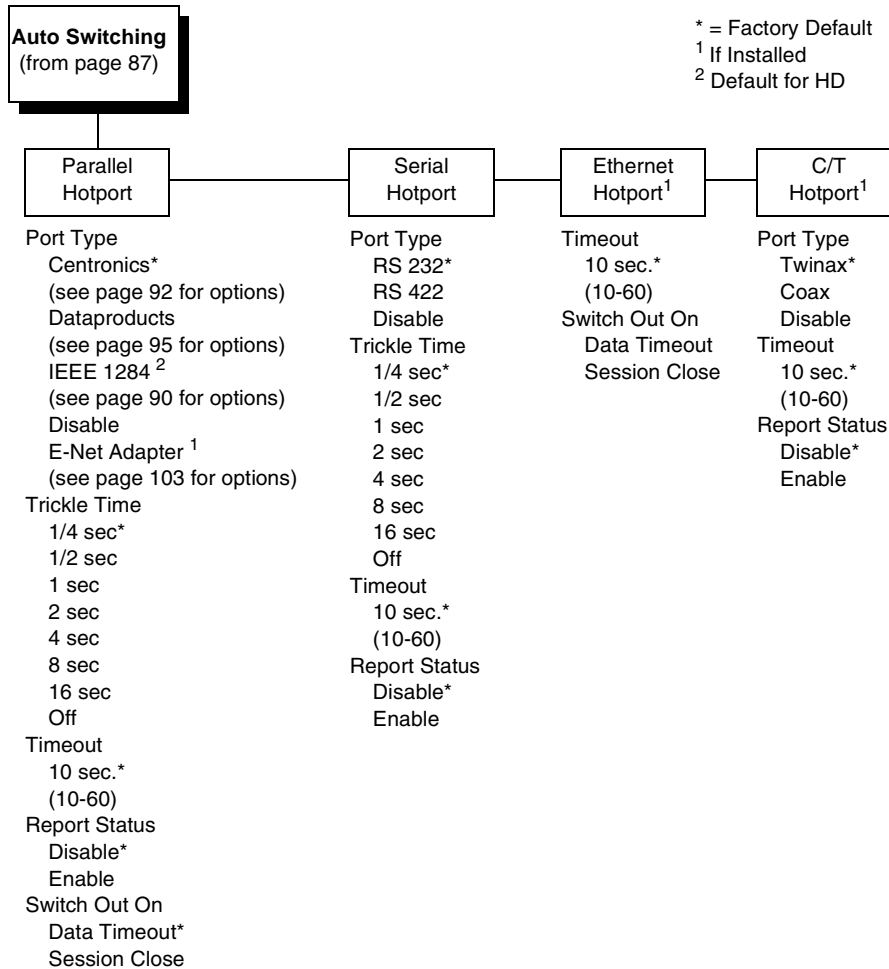
HOST INTERFACE Menu



The Host Interface Menu enables you to select and configure one of many types of interfaces between the printer and your host computer. The currently selected interface is indicated with an asterisk on the control panel message display. Each interface has its own submenu with a set of interface parameters which can be configured.

IMPORTANT When switching between Twinax, Coax, or Auto Switching, the printer will load the power-up configuration and the new interface parameters. Any settings made and not saved before selecting these interfaces will be lost.

Auto Switching Submenu



Auto Switching gives the printer the ability to handle multiple data streams sequentially. With Auto Switching, the printer can service hosts attached to the serial, parallel, Ethernet, coax and twinax ports as if they were the only interface connected.

For example, if the host computer sends one print job to the RS-232 serial port and a separate print job to the IEEE 1284 parallel port, the printer's Auto Switching is able to handle both jobs, in the order they were received. The user does not have to reconfigure the selected interface between jobs.

Port Type

Select the types of parallel, serial and/or C/T interfaces which are connected to the printer. For example, if your printer is attached to one host with a Centronics connection and a second host with an RS-422 serial connection, you would select Centronics under the Parallel Hotport menu, RS-422 under the Serial Hotport menu, and Disable under the C/T Hotport menu.

Trickle Time

When the printer is printing data from a host and a second job is received by the printer from a different host, Trickle Time prevents the second host from timing out while it is waiting for its data to be printed. In order to support this feature, the port has to be able to accept data from the host and store it for future use.

For example, if the printer is printing a job from the serial port, and then receives a second print job from the parallel port, the data from the parallel port will “trickle” bit by bit into the printer buffer to prevent a timeout error from being sent back to the host connected to the parallel port.

The selected value is the time that the printer waits before getting the next byte of data from the host. The Trickle Time value should be less than the host time out value, but not too much shorter or else the printer fills up its buffer too fast. This function is not applicable for C/T hotport.

Timeout

This is the value used by the printer to time out from the current port and check the other selected port types for data to print. When the printer has not received data from the host after a certain period of time, it needs to timeout in order to service the other ports.

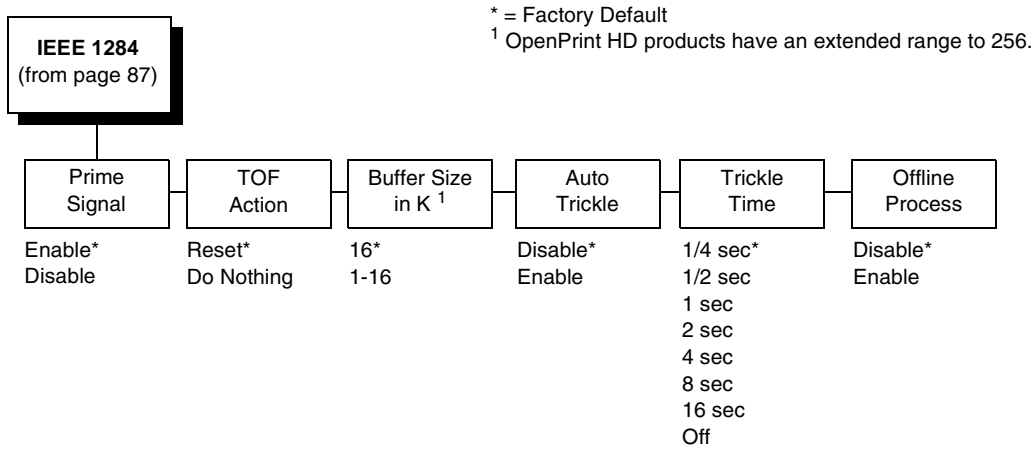
Report Status

- **Disable** (default). When a fault occurs on the printer, only the active port reports the fault to the host.
- **Enable**. The port will report any fault even when it is not the current active port.

Switch Out On

- **Data Timeout** (default). Allows Autoswitching when no data has been received for the selected Time Out period.
- **Session Close**. Allows Autoswitching only when the Network Socket is closed. If the Ethernet option is not installed the Network Socket is always reported as closed and this menu option is ignored.

IEEE 1284 Parallel (Bidirectional) Submenu



The IEEE 1284 interface is faster and more versatile than Centronics and supports bidirectional communication. Configuration of this interface is controlled from the host. Refer to *IEEE 1284 Παράλληλ Ιντερφάχε ΟΥ ΠΑΥΕ 272* for more details about the available modes (Compatibility, Nibble, and Byte).

Prime Signal

- **Enable** (default). The parallel port will perform a warm start (reboot) if the host asserts the prime signal.
- **Disable**. The parallel port will not perform a warm start (reboot) if the host asserts the prime signal.

TOF Action

- **Reset** (default). A form feed is performed before a warm start when the prime signal is asserted from the host. This setting is used only if the prime signal parameter is enabled.
- **Do Nothing**. Nothing occurs before a warm start when the prime signal is asserted from the host.

Buffer Size in K

This option configures the amount of memory allocated for the IEEE 1284 parallel port buffer. You can specify between 1 and 16 Kbytes, in 1-Kbyte increments. The default is 16K.

NOTE: OpenPrint HD products have a range of 1 to 256 and a default of 64K.

Auto Trickle

Auto Trickle is used to prevent a host computer from timing out because the parallel interface was busy for too long. When Auto Trickle is enabled and the printer's buffers are almost full, the printer will begin to trickle data in (at the rate set in the Trickle Time menu) until the buffers start to empty.

Trickle Time

When the printer is printing data from a host and a second job is received by the printer from a different host, Trickle Time prevents the second host from timing out while it is waiting for its data to be printed. In order to support this feature, the port has to be able to accept data from the host and store it for future use.

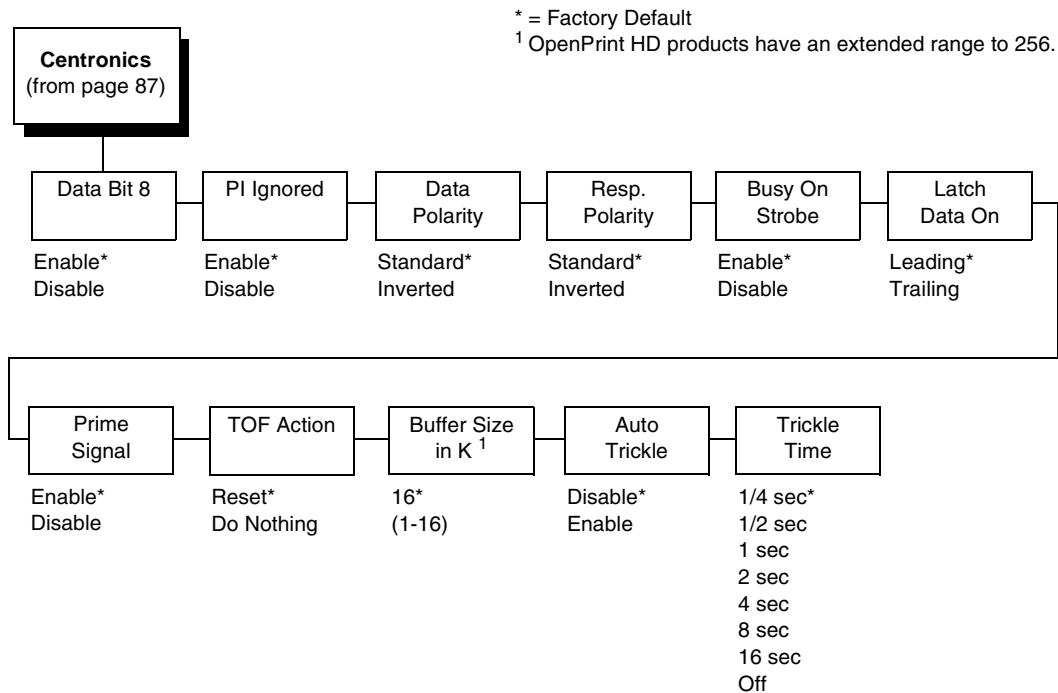
For example, if the printer is printing a job from the serial port, and then receives a second print job from the parallel port, the data from the parallel port will "trickle" bit by bit into the printer buffer to prevent a timeout error from being sent back to the host connected to the parallel port.

The selected value is the time that the printer waits before getting the next byte of data from the host. The Trickle Time value should be less than the host time out value, but not too much shorter or else the printer fills up its buffer too fast. This function is not applicable for C/T hotport.

Offline Process

- **Disable (default).** When set to disable, the printer does not process parallel/network data while offline.
- **Enable.** When set to enable, the printer continues to process (but not print) the current network/parallel job while the printer is offline until the printer's buffer is full.

Centronics (Parallel) Submenu



Data Bit 8

- **Enable** (default). Allows access to the extended ASCII character set.
- **Disable**. The printer interprets bit 8 of each incoming data character as a zero, regardless of its actual setting.

PI Ignored

The PI (Paper Instruction) signal is used to control vertical paper motion.

- **Enable** (default). Ignores the PI signal and treats the data as characters or control codes.
- **Disable**. Causes the printer to interpret the eight data lines as VFU commands when the PI signal is true.

Data Polarity

The Data Polarity parameter must be set to match the data polarity of your host computer.

- **Standard** (default). Does not expect the host computer to invert the data.
- **Inverted**. Expects the data received on the data lines from the host computer to be inverted. Ones become zeros, and vice versa.

Resp. Polarity

The Resp. Polarity parameter must be set to match the response polarity of your host computer.

- **Standard** (default). Does not invert the response signal.
- **Inverted**. Inverts the response signal sent to the host computer.

Busy On Strobe

- **Enable** (default). Asserts a busy signal after each character is received.
- **Disable**. Asserts a busy signal only when the print buffers are full.

Latch Data On

Specifies whether the data is read on the leading or trailing edge of the data strobe signal. The default is leading.

Prime Signal

- **Enable** (default). The parallel port will perform a warm start (reboot) if the host asserts the prime signal.
- **Disable**. The parallel port will not perform a warm start (reboot) if the host asserts the prime signal.

TOF Action

- **Reset** (default). A form feed is performed before a warm start when the prime signal is asserted from the host. This setting is used only if the prime signal parameter is enabled.
- **Do Nothing**. Nothing occurs before a warm start when the prime signal is asserted from the host.

Buffer Size in K

Configures the amount of memory allocated for the Centronics parallel port buffer. You can specify between 1 and 16 Kbytes, in 1-Kbyte increments. The default is 16K.

NOTE: OpenPrint HD products have a range of 1 to 256 and a default of 64K.

Auto Trickle

Auto Trickle is used to prevent a host computer from timing out because the parallel interface was busy for too long. When Auto Trickle is enabled and the printer's buffers are almost full, the printer will begin to trickle data in (at the rate set in the Trickle Time menu) until the buffers start to empty out.

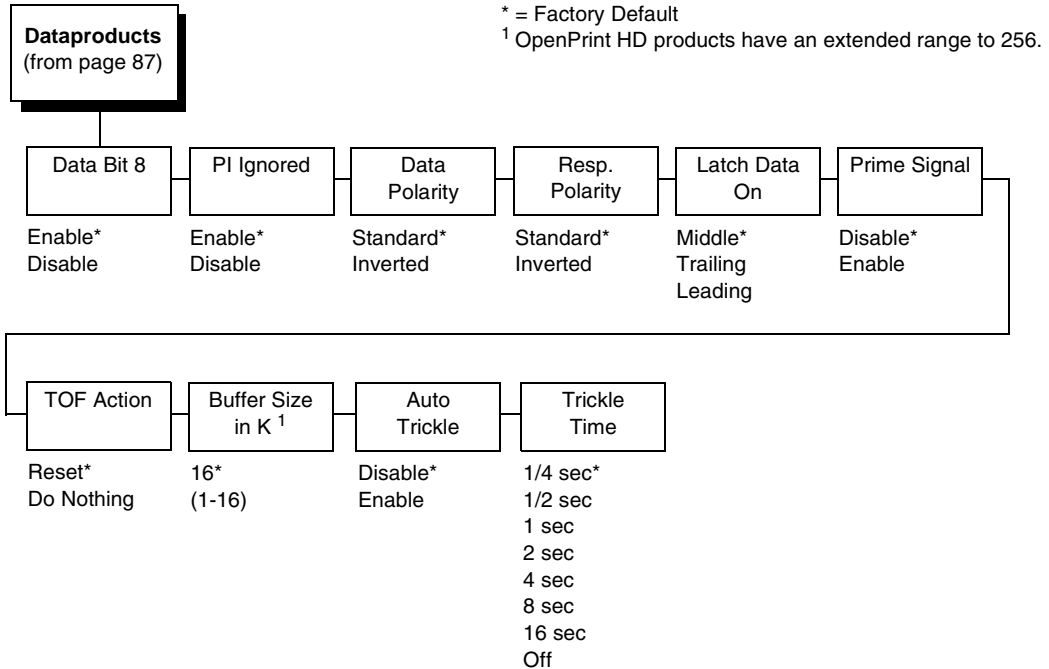
Trickle Time

When the printer is printing data from a host and a second job is received by the printer from a different host, Trickle Time prevents the second host from timing out while it is waiting for its data to be printed. In order to support this feature, the port has to be able to accept data from the host and store it for future use.

For example, if the printer is printing a job from the serial port, and then receives a second print job from the parallel port, the data from the parallel port will “trickle” bit by bit into the printer buffer to prevent a timeout error from being sent back to the host connected to the parallel port.

The selected value is the time that the printer waits before getting the next byte of data from the host. The Trickle Time value should be less than the host time out value, but not too much shorter or else the printer fills up its buffer too fast. This function is not applicable for C/T hotport.

Dataproducts Submenu



Data Bit 8

- **Enable** (default). Allows access to the extended ASCII character set.
- **Disable**. The printer interprets bit 8 of each incoming data character as a zero, regardless of its actual setting.

PI Ignored

The PI (Paper Instruction) signal is used to control vertical paper motion.

- **Enable** (default). Causes the printer to interpret the eight data lines as DVFU commands when the PI signal is true.
- **Disable**. Ignores the PI signal and treats the data as characters or control codes.

Data Polarity

The Data Polarity parameter must be set to match the data polarity of your host computer.

- **Standard** (default). Does not expect the host computer to invert the data.
- **Inverted**. Expects the data received on the data lines from the host computer to be inverted. Ones become zeros, and zeros become ones.

Resp. Polarity

The Response Polarity parameter must be set to match the response polarity of your host computer.

- **Standard** (default). Does not invert the response signal.
- **Inverted**. Inverts the response signal sent to the host computer.

Latch Data On

Specifies whether the data is read on the leading, middle, or trailing edge of the data strobe signal. The default is Middle.

Prime Signal

- **Disable** (default). The parallel port will not perform a warm start (reboot) if the host asserts the prime signal.
- **Enable**. The parallel port will perform a warm start (reboot) if the host asserts the prime signal.

TOF Action

- **Reset** (default). A form feed is performed before a warm start when the prime signal is asserted from the host. This setting is used only if the prime signal parameter is enabled.
- **Do Nothing**. Nothing occurs before a warm start when the prime signal is asserted from the host.

Buffer Size in K

Configures the amount of memory allocated for the Dataproducts parallel port buffer. You can specify between 1 and 16 Kbytes, in 1-Kbyte increments. The default is 16K.

NOTE: OpenPrint HD products have a range of 1 to 256 and a default of 64K.

Auto Trickle

Auto Trickle is used to prevent a host computer from timing out because the parallel interface was busy for too long. When Auto Trickle is enabled and the printer's buffers are almost full, the printer will begin to trickle data in (at the rate set in the Trickle Time menu) until the buffers start to empty out.

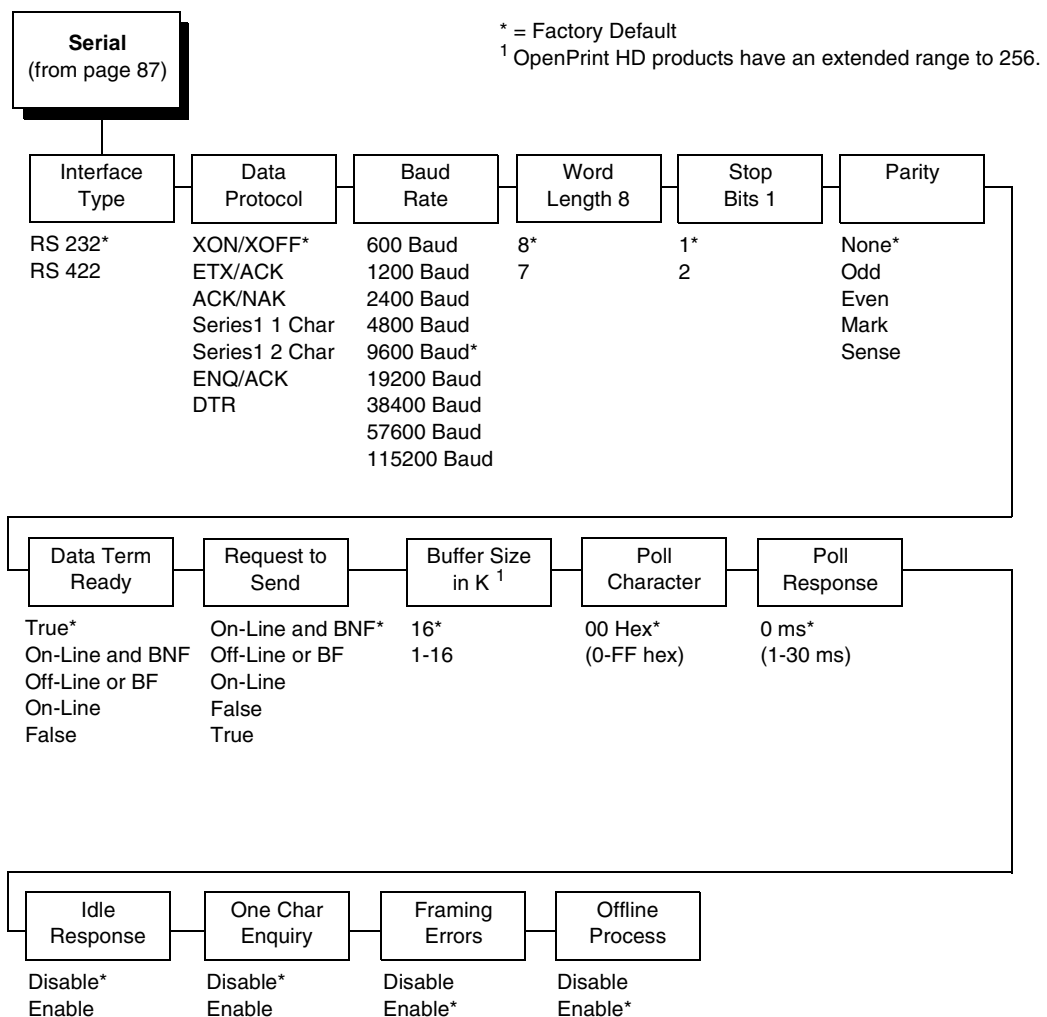
Trickle Time

When the printer is printing data from a host and a second job is received by the printer from a different host, Trickle Time prevents the second host from timing out while it is waiting for its data to be printed. In order to support this feature, the port has to be able to accept data from the host and store it for future use.

For example, if the printer is printing a job from the serial port, and then receives a second print job from the parallel port, the data from the parallel port will “trickle” bit by bit into the printer buffer to prevent a timeout error from being sent back to the host connected to the parallel port.

The selected value is the time that the printer waits before getting the next byte of data from the host. The Trickle Time value should be less than the host time out value, but not too much shorter or else the printer fills up its buffer too fast. This function is not applicable for C/T hotport.

Serial Submenu



Interface Type

This parameter allows you to select either the RS-232 or RS-422 serial port interface. The default is RS-232.

Data Protocol

You can select one of the following serial interface protocols to meet the host interface requirements.

- **XON / XOFF** (default). The printer controls the flow of communication from the host by turning the transmission on and off. In some situations, such as when the buffer is full or the timing of signals is too slow or too fast, the printer will tell the host to stop transmission by sending an XOFF character. An XOFF character is sent when the number of empty bytes in the buffer is less than or equal to 25 percent of the buffer size. If the host keeps sending data after an XOFF is sent, the printer firmware will continue to send an XOFF for every 16 characters received. When cleared, the printer will resume receiving data (XON). The data does not have any End of Text codes; XON / XOFF is a non-block protocol.
- **ETX / ACK**. End of Text / Acknowledge. The host controls the flow of communication to the printer by sending a block of data and ending the block with an End of Text (ETX) signal. When the printer receives the ETX signal, it will acknowledge the ETX, thereby acknowledging it has received the entire block of data.
- **ACK / NAK**. ACK means acknowledge; the device acknowledges it has accepted a transmission. NAK means negative acknowledge; the device did not receive the transmission.
- **SERIES1 1 CHAR**. The printer controls the flow of communication from the host by turning the transmission on and off using response characters sent to the host. If the number of valid bytes in the buffer reaches 75 percent of the buffer size, the online or offline and buffer full response character is sent. If the buffer is completely full, an online or offline buffer full response is sent every time a character is sent from the host. Whenever the printer state changes to online or offline, the appropriate response character is sent. If the idle response option is enabled, the printer will send a response character every two seconds while the number of valid bytes in the buffer is less than 75 percent of the buffer size. If a poll character is received (configurable from the Poll Character xx Hex option on the front panel from hex 0 through FF), the printer will send a response character *n* milliseconds later (configurable from the Poll Character xx MS on the front panel from 0 through 30). This *n* milliseconds is called the poll delay. The poll character will be removed from the input data stream and will not be processed. This may cause problems with the transmission of binary data (e.g., control codes, bit image, etc.). If a poll delay is started due to the receipt of a poll character and another poll character is received, the second poll character has no effect and is removed from the input data stream. If a transition (from buffer full to empty or online to offline) occurs during a poll delay, the new printer state will be sent at the end of the poll delay.

The response characters are described in Table 4.

Table 4. Series1 1 Char Response Characters

Printer State	Response
Online and Buffer Empty	CR
Online and Buffer Full	3
Offline and Buffer Empty	0
Offline and Buffer Full	2

- **SERIES1 2 CHAR.** This protocol behaves exactly the same as the Series1 Char except there is a two-character response to the host. The response characters are described in Table 5.

Table 5. Series1 2 Char Response Characters

Printer State	Response
Online and Buffer Empty	1 CR
Online and Buffer Full	3 CR
Offline and Buffer Empty	0 CR
Offline and Buffer Full	2 CR

- **ENQ/ACK.** Enquiry/Acknowledge. The host controls the flow of data by sending an ENQ (Enquiry, decimal 5, Control-E) approximately every 80 characters. When the printer is ready for more data, it replies with an ACK (Acknowledge, decimal 6, Control-F).
- **DTR.** The printer controls the data flow by sending this hardware signal to the host. If there is enough room in the printer buffer, the printer will send a high signal; if the buffer is full, the printer will send a low signal. DTR tells the host if it is safe to send more data. (If the host sends data during an unsafe condition, data will be lost.) DTR is not available when RS-422 is selected.

Baud Rate

Sets the baud rate of the serial interface in the printer. Baud rate is the speed at which serial data is transferred between the host computer and the printer. The choices for the RS-232 and RS-422 interfaces are 600, 1200, 2400, 4800, 9600, 19200, 38400, 57600, and 115200 Baud. The default is 9600 Baud.

NOTE: If you select a baud rate that is greater than 19200, you may need to use RS-422 or select a lower baud rate to prevent data loss. You also may need to increase the Buffer Size in K parameter to improve performance.

Word Length

Sets the length of the serial data word. The length of the data word can be set to 7 or 8 bits, and must match the corresponding data bits setting in the host computer.

Stop Bits 1

Sets the number of stop bits in the serial data word. Either one or two stop bits can be selected. The setting must match the corresponding stop bit setting in the host computer.

Parity

Set for odd parity, even parity, mark, sense, or no parity. The setting must match the corresponding parity setting in the host computer.

Data Term Ready

This configuration is part of hardware flow control and determines when the Data Terminal Ready (DTR) signal is generated. This signal indicates if the printer is ready to receive data.

- **True** (default). Continuously asserts the DTR signal.
- **On Line and BNF (buffer not full)**. Asserts the DTR signal when the printer is online and the internal serial buffer is not full.
- **Off Line or BF (buffer full)**. Asserts the DTR signal when the printer is offline or the internal serial buffer is full.
- **On Line**. Asserts the DTR signal when the printer is online.
- **False**. Never asserts the DTR signal.

Request To Send

This configuration is part of hardware flow control and determines when the Request to Send (RTS) signal is generated. This signal indicates whether or not the printer is ready to receive data.

- **On Line and BNF** (default). Asserts the RTS signal when the printer is online and the internal serial buffer is not full.
- **Off Line or BF**. Asserts the RTS signal when the printer is offline or the internal serial buffer is full.
- **On Line**. Asserts the RTS signal when the printer is online.
- **False**. Never asserts the RTS signal.
- **True**. Continuously asserts the RTS signal.

Buffer Size in K

This option configures the amount of memory allocated for the serial port buffer. You may specify between 1 and 16 Kbytes, in 1-Kbyte increments. The default is 16K.

- NOTE:**
1. If you select a baud rate that is 19200 or greater, you may need to increase the Buffer Size in K parameter to improve performance.
 2. OpenPrint HD products have a range of 1 to 256 and a default of 64K.

Poll Character

This option is for the Series1 protocol. Whenever the printer receives this character, it sends a response to the host indicating the current state of the printer (see Series1 protocol). It may be configured from 0 through FF hexadecimal.

Poll Response

This option is for the Series1 protocol. After receiving a poll character, the printer will wait the poll response time in milliseconds before sending the response. It may be configured from 0 through 30.

Idle Response

This option is for the Series1 protocol.

- **Disable** (default)
- **Enable**. The printer will send a response character every two seconds while the number of valid bytes in the buffer is less than 75 percent of the buffer size.

One Char Enquiry

The One Char Enquiry mode uses the Poll Character to detect a request from the host and sends a response back to the host. This option also allows you to turn on and off this feature.

Table 6. One Char Enquiry Response Characters

Printer State	Response (hex)
Online and Buffer Not Full	22
Online and Buffer Full	23
Offline and Buffer Not Full	20
Offline and Buffer Full	21

The Poll Character is removed from the data stream. If the Data Protocol is set to ETX/ACK, ACK/NAK, or Series 1, One Char Enquiry is automatically disabled.

Framing Errors

Possible errors that can occur when the printer's serial interface settings do not match those of the host computer.

- **Enable** (default). If a framing error occurs, a fault message will display on the control panel.
- **Disable**. If a framing error occurs, a fault message will not display on the control panel.

Offline Process

- **Disable** (default). When set to disable, the printer does not process parallel/network data while in offline mode.
- **Enable**. When set to enable, the printer continues to process without printing the current network/parallel job while the printer is offline until the printer's buffer is full.

E-Net Adapter Submenu

E-Net Adapter
(from page 87)

Buffer Size
in K ¹

16*
1-16

* = Factory Default

¹ OpenPrint HD products have an extended range to 256.

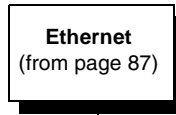
The E-Net Adapter interface allows you to locate the printer on a LAN rather than attach the host directly into the printer. The detailed configuration of this option is given in the *PrintNet User's Manual*.

Buffer Size in K

This option configures the amount of memory allocated for the Ethernet buffer. You can specify between 1-16 Kbytes. The default is 16 Kbytes.

NOTE: OpenPrint HD products have a range of 1 to 256 and a default of 64K.

Ethernet Submenu



* = Factory Default

¹ OpenPrint HD products have an extended range to 256.

Buffer Size
in K ¹

16*
1-16

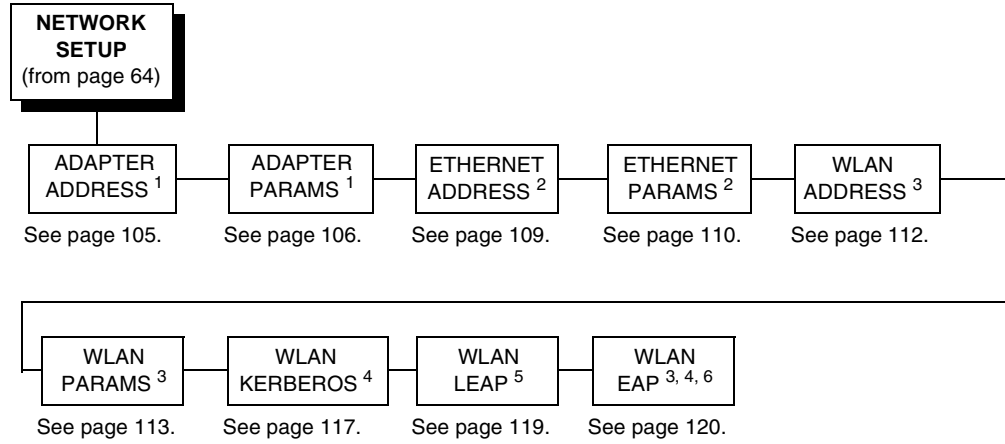
The Ethernet interface allows you to locate the printer on a LAN rather than attach the host directly into the printer. The detailed configuration of this option is given in the *Network Interface Card User's Manual*.

Buffer Size in K

This option configures the amount of memory allocated for the Ethernet buffer. You can specify between 1 and 16 Kbytes, in 1-Kbyte increments. The default is 16 Kbytes.

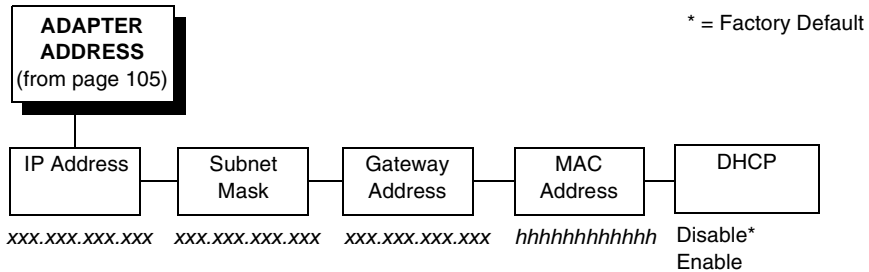
NOTE: OpenPrint HD products have a range of 1 to 256 and a default of 64K.

NETWORK SETUP Menu



- ¹ Only if the Ethernet Adapter feature is installed.
- ² Only if the Integrated Ethernet feature is installed.
- ³ Only if the Wireless Adapter feature is installed.
- ⁴ Only if a Symbol 4121 radio card is installed.
- ⁵ Only if a Cisco radio card is installed.
- ⁶ Only if a Symbol 5127 radio card is installed.

ADAPTER ADDRESS



IP Address

A numeric address such as 123.45.61.23 which identifies a printer or server in a LAN or WAN.

Subnet Mask

A binary value used to divide IP networks into smaller subnetworks or subnets. This mask is used to help determine whether IP packets need to be forwarded to other subnets.

Gateway Address

A gateway address is the IP address of a hardware device (gateway) that translates data between two incompatible networks, which can include protocol translation.

MAC Address

This menu item is the Manufacturer's Assigned Number, and is unique for each printer. It is read-only.

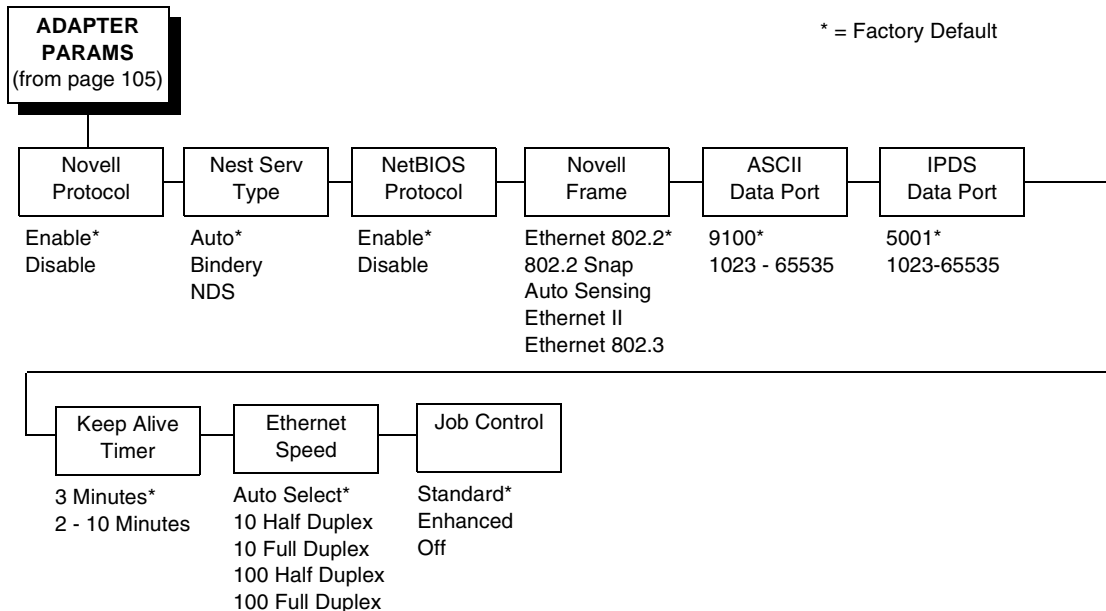
DHCP

You can enable/disable the DHCP protocol using this option, but consult your administrator for the appropriate setting.

The options include:

- **Disable** (default)
- **Enable.**

ADAPTER PARAMS



You may enable or disable the Novell or NetBIOS Protocols within this menu, as well as selecting which Novell Frame scheme to use in processing Novell signals. See the Novell chapter in the *Network Interface Card User's Manual* for more details.

Novell Protocol

This option determines whether the Novell protocol will be available. The selections are as indicated below:

- **Enable** (default). Makes the Novell protocol available with the ethernet installed.
- **Disable**. Makes the Novell protocol unavailable during printer operation.

Nest Serv Type

You can change the Nest Server using this option, but consult your administrator for the appropriate setting.

The options are Auto (default), Bindery, and NDS.

NetBIOS Protocol

This option determines whether the NetBIOS protocol will be available. The selections are as indicated below:

- **Enable** (default). Makes the NetBIOS protocol available with the ethernet installed.
- **Disable**. Makes the NetBIOS protocol unavailable during printer operation.

Novell Frame

This selection determines which framing scheme will be used in processing Novell signals.

- **Ethernet 802.2** (default)
- **802.2 Snap**
- **Auto Sensing**
- **Ethernet II**
- **Ethernet 802.3**

ASCII Data Port

This option sets the port number for ASCII print jobs. The data port number needs to match your host system setting.

- **9100** (default)
- **1023 - 65535**

IPDS Data Port

This option allows you to set the port number for IPDS print jobs only if the IPDS option is installed.

The range is 0 - 5000, and the default is 5001.

Keep Alive Timer

This is the time that the Keep Alive Timer will run. With the Keep Alive Timer on, the tcp connection will stay connected even after the print job has terminated.

- **3 Minutes** (default)
- **2 - 10 Minutes**

Ethernet Speed

This menu option only appears if a 10/100Base-T network interface card (NIC) is installed. The Ethernet Speed menu allows compatibility with different systems and networks. The factory default is Auto Select.

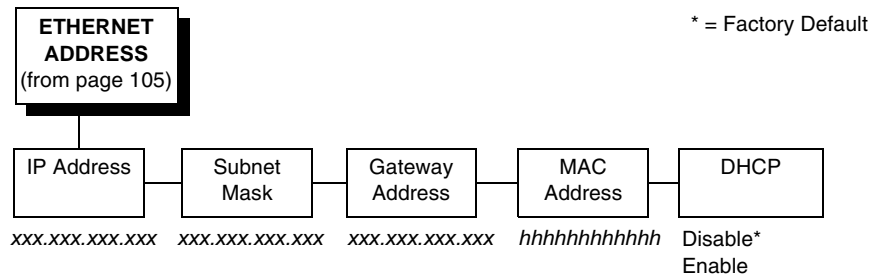
- **Auto Select.** (default) This setting tells the 10/100Base-T NIC to perform an auto detection scheme and configure itself to be 10 Half Duplex, 10 Full Duplex, 100 Half Duplex, or 100 Full Duplex.
- **10 Half Duplex.** Tells the 10/100Base-T NIC to communicate at 10 Megabits per second using half duplex.
- **10 Full Duplex.** Tells the 10/100Base-T NIC to communicate at 10 Megabits per second using full duplex.
- **100 Half Duplex.** Tells the 10/100Base-T NIC to communicate at 100 Megabits per second using half duplex.
- **100 Full Duplex.** Tells the 10/100Base-T NIC to communicate at 100 Megabits per second using full duplex.

Job Control

The job control mode has three options:

- **Standard** (default). The NIC waits for the printer to finish receiving the current job before sending another job. The status line shows “done” when the job is completely received by the NIC.
- **Enhanced.** The NIC waits for the printer to finish receiving the current job before sending another job. The status line shows “done” when the job is fully printed.
- **Off.** No job synchronization between the NIC and the printer.

ETHERNET ADDRESS



IP Address

A numeric address such as 123.45.61.23 which identifies a printer or server in a LAN or WAN.

Subnet Mask

A binary value used to divide IP networks into smaller subnetworks or subnets. This mask is used to help determine whether IP packets need to be forwarded to other subnets.

Gateway Address

A gateway address is the IP address of a hardware device (gateway) that translates data between two incompatible networks, which can include protocol translation.

MAC Address

This menu item is the Manufacturer's Assigned Number, and is unique for each printer. It is read-only.

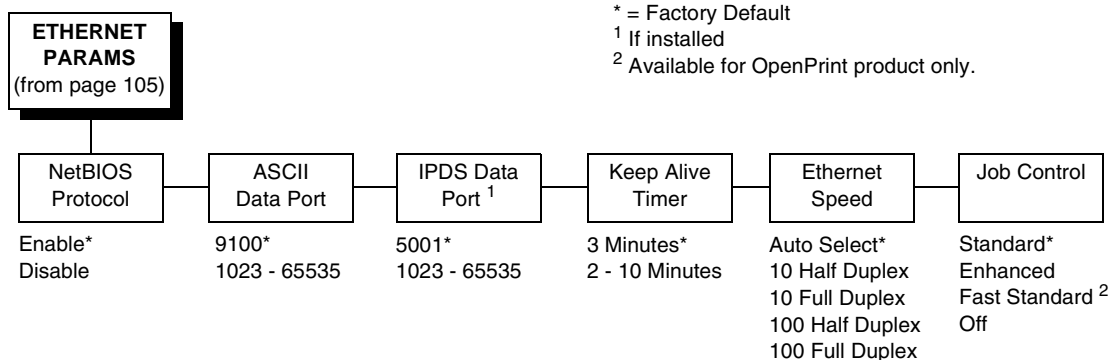
DHCP

You can enable/disable the DHCP protocol using this option, but consult your administrator for the appropriate setting.

The options include:

- **Disable** (default)
- **Enable**.

ETHERNET PARAMS



The ETHERNET PARAMS menu helps your printer communicate on a network.

For information on assigning the IP Address, Gateway Address, Subnet Mask, and MAC Address, refer to the *Network Interface Card User's Manual*.

NetBIOS Protocol

This option determines whether the NetBIOS protocol will be available. The selections are as indicated below:

- **Enable** (default). Makes the NetBIOS protocol available with the ethernet installed.
- **Disable**. Makes the NetBIOS protocol unavailable during printer operation.

ASCII Data Port

This option sets the port number for ASCII print jobs. The data port number needs to match your host system setting.

- **9100** (default)
- **1023 - 65535**

IPDS Data Port

This option allows you to set the port number for IPDS print jobs only if the IPDS option is installed.

The range is 1023 - 65535, and the default is 5001.

Keep Alive Timer

This is the time that the Keep Alive Timer will run. With the Keep Alive Timer on, the tcp connection will stay connected even after the print job has terminated.

- **3 Minutes** (default)
- **2 - 10 Minutes**

Ethernet Speed

This menu option only appears if a 10/100Base-T network interface card (NIC) is installed. The Ethernet Speed menu allows compatibility with different systems and networks. The factory default is Auto Select.

- **Auto Select.** (default) This setting tells the 10/100Base-T NIC to perform an auto detection scheme and configure itself to be 10 Half Duplex, 10 Full Duplex, 100 Half Duplex, or 100 Full Duplex.
- **10 Half Duplex.** Tells the 10/100Base-T NIC to communicate at 10 Megabits per second using half duplex.
- **10 Full Duplex.** Tells the 10/100Base-T NIC to communicate at 10 Megabits per second using full duplex.
- **100 Half Duplex.** Tells the 10/100Base-T NIC to communicate at 100 Megabits per second using half duplex.
- **100 Full Duplex.** Tells the 10/100Base-T NIC to communicate at 100 Megabits per second using full duplex.

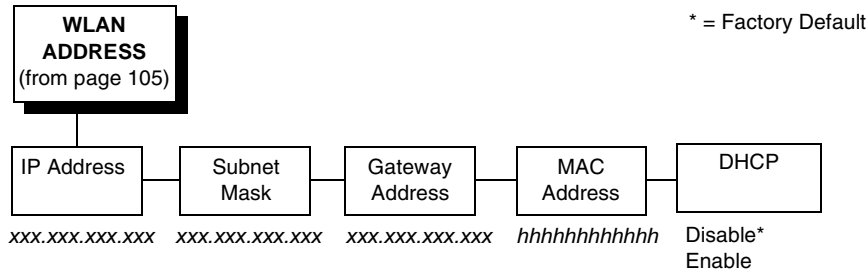
Job Control

The job control mode has four options:

- **Standard** (default). The NIC waits for the printer to finish receiving the current job before sending another job. The status line shows “done” when the job is completely received by the NIC.
- **Enhanced.** The NIC waits for the printer to finish receiving the current job before sending another job. The status line shows “done” when the job is fully printed.
- **Off.** No job synchronization between the NIC and the printer.
- **Fast Standard.** The EOJ (End of Job) packet is acknowledged immediately. Use this selection if the job is timed out due to a delay in the acknowledgement of the EOJ packet because of the amount of data being printed.

NOTE: It is recommended to set this option to Enhanced if the emulation is Postscript.

WLAN ADDRESS



IP Address

A numeric address such as 123.45.61.23 which identifies a printer or server in a LAN or WAN.

Subnet Mask

A binary value used to divide IP networks into smaller subnetworks or subnets. This mask is used to help determine whether IP packets need to be forwarded to other subnets.

Gateway Address

A gateway address is the IP address of a hardware device (gateway) that translates data between two incompatible networks, which can include protocol translation.

MAC Address

This menu item is the Manufacturer's Assigned Number, and is unique for each printer. It is read-only.

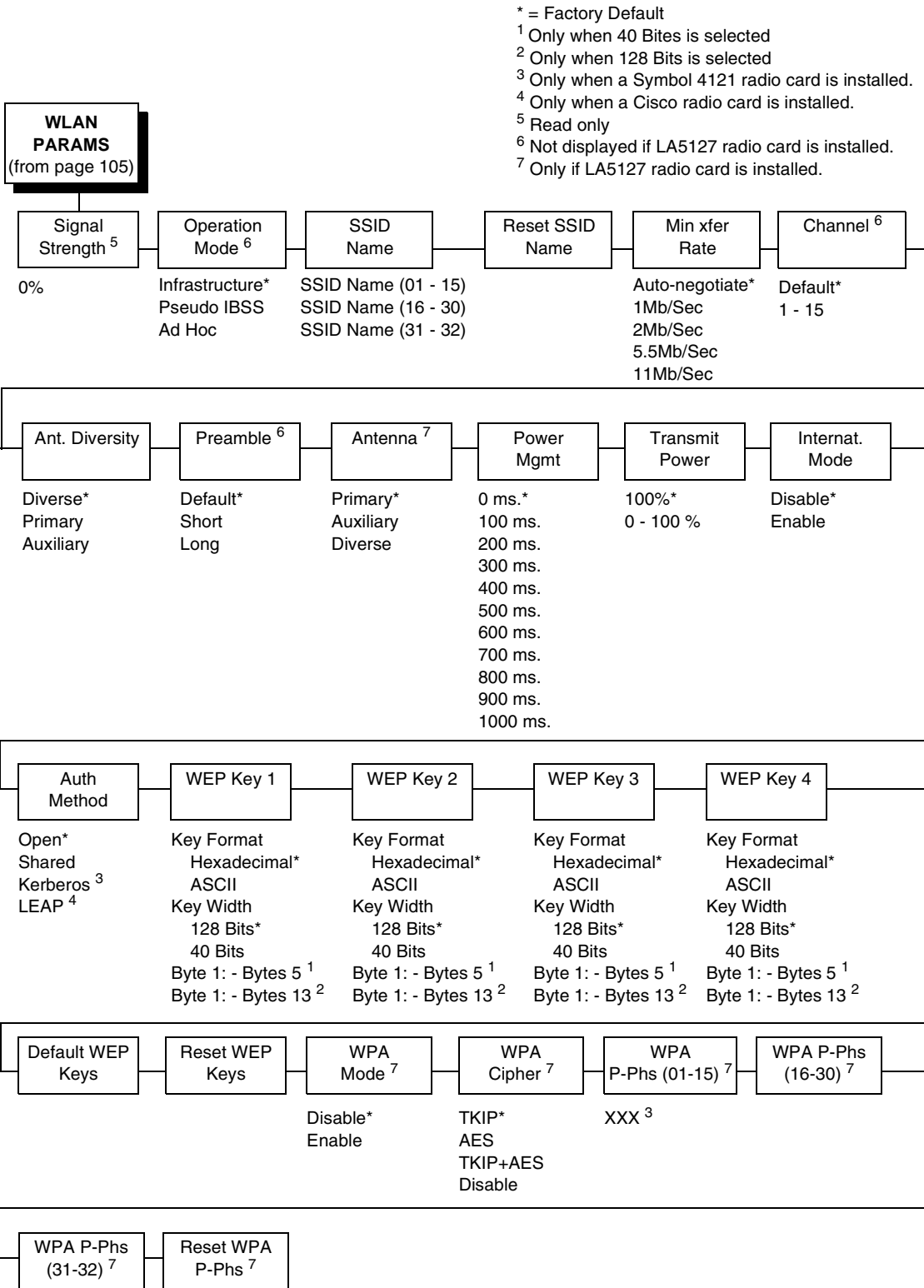
DHCP

You can enable/disable the DHCP protocol using this option, but consult your administrator for the appropriate setting.

The options include:

- **Disable** (default)
- **Enable**.

WLAN PARAMS



Signal Strength

This menu displays the strength of the wireless signal.

NOTE: This is a display value only and cannot be changed.

Operation Mode

Allows you to select the way the Wireless option communicates:

- **Infrastructure** (default). The Wireless option must go through a server.
- **Pseudo IBSS**. Proprietary, peer-to-peer communication (without a server). The two peers must be specific to one manufacturer.
- **Ad Hoc**. Standard, peer-to-peer communication (without a server). The two peers can be from different manufacturers.

SSID Name

A 1 - 32 character, case sensitive string that identifies the group the printer talks to.

NOTE: The SSID name may be edited in three parts (1-15), (16-30), and (31-32).

For each part of the SSID name, press the MICRO UP or MICRO DOWN keys to cycle through the values available for that character at the cursor location. Press the SCROLL UP key to move to the next character to be modified. Press the SCROLL DOWN key to go back to the name you want to give to this SSID name, then press ENTER to save. The name you entered will now represent this SSID name on the printer's front panel. To exit this menu without saving, press any key other than the ENTER key. The SSID name will revert to the last saved value.

Reset SSID Name

Allows you to reset the SSID name.

Min Xfer Rate

Allows you to set the minimum speed at which the Wireless Option will accept a connection (in million bits per second). The options are:

- **Auto-negotiate** (default)
- **1Mb/Sec.**
- **2Mb/Sec.**
- **5.5Mb/Sec**
- **11Mb/Sec**

Channel

Allows you to select the RF channel. The options are Default (the factory default) and 1-15.

Ant. Diversity

The type of antenna used:

- **Diverse** (default). Select when you want to use the antenna with the best reception.
- **Primary**. Select when you want to use the Primary antenna on the server.
- **Auxiliary**. Select when you want to use the Auxiliary antenna on the server.

Preamble

The length of the preamble in transmit packets.

- **Default** (default). The Wireless option automatically determines the length.
- **Short**. For newer printers which can handle higher transfer rate speeds.
- **Long**. For older printers which cannot handle higher transfer rate speeds.

Antenna

- **Primary** (default). Select when you want to use the Primary antenna on the RF card.
- **Auxiliary**. Select when you want to use the Auxiliary antenna on the RF card.
- **Diverse**. Select when you want to use the antenna with the best reception.

Power Mgmt

This allows you to set power-save mode and sleep time. A value specifying the sleep time in milliseconds will be provided. If set to zero, power-save mode will be disabled. The range includes:

- **0 ms.** (default)
- **100 ms. - 1000 ms.**

Transmit Power

The power level as a percentage of full power (0 - 100%).

Internat. Mode

When enabled, the Wireless option adapts to international frequency requirements in Europe. The options include:

- **Disable** (default)
- **Enable**

Auth Method

This feature allows the user to select the authentication method used for the wireless network interface.

- **Open** (default). Selects open authentication.
- **Shared**. Selects shared key authentication.
- **Kerberos**. Selects Kerberos authentication (for use when a Symbol RF card is installed).
- **LEAP**. Selects LEAP authentication (for use with a Cisco RF card installed).

WEP Key 1 Through WEP Key 4

- **WEP Key Format**. Allows you to format the WEP keys in ASCII or hexadecimal code. The default is hexadecimal.
- **WEP Key Width**. This is the encryption strength. The options are 40 Bits and 128 Bits; 40 Bits are weaker and 128 Bits are stronger.

NOTE: If you select 40 Bits, the WEP key BYTE6 through WEP Key BYTE13 menus will not display.

The default is 128 Bits.

- **WEP Key BYTE1 through BYTE13**. These are the individual characters of the encryption key.

Default WEP Key

This feature enables you to encrypt (scramble) information for security purposes. With this feature, you can set up to four encryption keys, in either ASCII or hexadecimal format, and in either 40 or 128 bits. (The more bits you choose, the more difficult it will be to decode the information.)

NOTE: None of the WEP Key Configuration menus display on the configuration printout.

Reset WEP Keys

Allows you to reset all four WEP keys (WEP Key 1 through WEP Key 4) at one time.

WPA Mode

Selects the WPA wireless security mode.

- **Disable** (default). WPA security is disabled.
- **Personal**. Selects personal or pre-shared key mode for WPA security.

WPA Cipher

Selects the WPA wireless security cipher setting. Options include:

- **TKIP** (default)
- **AES**
- **TKIP+AES**
- **Disable**

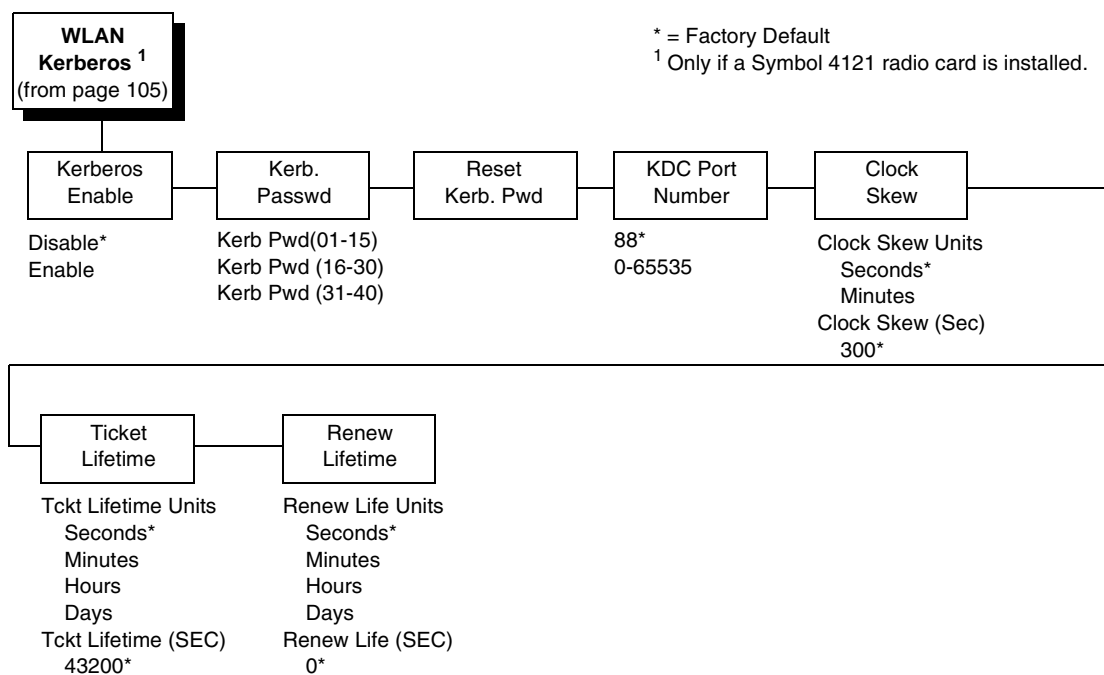
WPA P-Phs

Allows you to set the individual bytes of the WPA passphrase.

Reset WPA P-Phs

Allows you to reset all 32 bytes of the WPA passphrase at once.

WLAN KERBEROS



Kerberos Enable

- **Disable** (default). Disables Kerberos authentication in the wireless network interface.
- **Enable**. Enables Kerberos authentication in the wireless network interface.

Kerb. Passwd

- **Kerb. Pwd (01-15)**. The first 15 characters of the Kerberos password (maximum number of characters is 40).
- **Kerb. Pwd (16-30)**. Characters 16 to 30 of the Kerberos password (maximum number of characters is 40).
- **Kerb. Pwd (31-40)**. Characters 31 to 40 of the Kerberos password (maximum number of characters is 40).

Reset Kerb. Pwd

Resets the Kerberos password to an empty string.

KDC Port Number

KDC (Key Distribution Center) port number is the 2-byte UDP/TCP port used for Kerberos Communication.

The range is 0-65535, and the default is 88.

Clock Skew

Sets the maximum allowable amount of time in seconds or minutes that Kerberos authentication will tolerate before assuming that a Kerberos message is valid. The range for Seconds is 60-900, and the default is 300. The range for Minutes is 1-15, and the default is 5.

Ticket Lifetime

Sets the maximum allowable amount of time in Seconds, Minutes, Hours, or Days that a ticket obtained from the Kerberos server is valid before getting a new one.

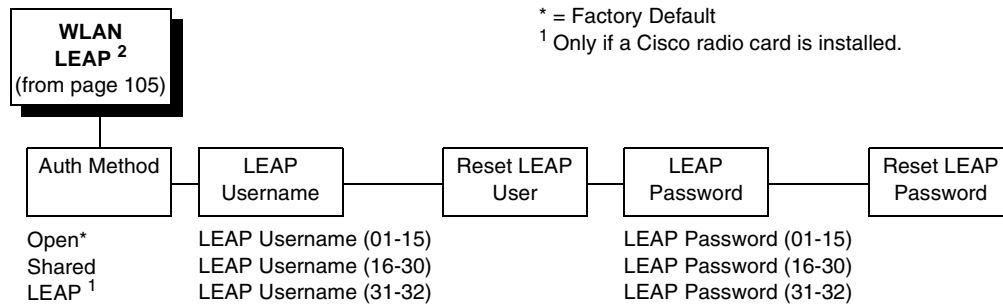
- **Seconds**. The range is 300-259200, and the default is 43200.
- **Minutes**. The range is 5-4320, and the default is 720.
- **Hours**. The range is 1-72, and the default is 12.
- **Days**. The range is 1-3, and the default is 1.
- **Tckt Lifetime (SEC)**. The ticket lifetime unit in seconds. The default is 43200.

Renew Lifetime

Sets the maximum allowable amount of time in Seconds, Minutes, Hours, or Days before warning that a new Kerberos password is needed.

- **Seconds**. The range is 0-604800, and the default is 0.
- **Minutes**. The range is 0-10080, and the default is 0.
- **Hours**. The range is 1-168, and the default is 0.
- **Days**. The range is 0-7, and the default is 0.
- **Renew Life (SEC)**. Renew lifetime unit in seconds. The default is 0.

WLAN LEAP



Auth Method

This feature allows the user to select the authentication method used for the wireless network interface.

- **Open** (default). Selects open authentication.
- **Shared**. Selects shared key authentication.
- **LEAP**. Selects LEAP authentication (for use with a Cisco RF card installed).

LEAP Username

- **LEAP Username (01-15)**. The first 15 characters of the LEAP user name (maximum number of characters is 32).
- **LEAP Username (16-30)**. Characters 16 to 30 of the LEAP user name (maximum number of characters is 32).
- **LEAP User (31-32)**. Characters 31 to 32 of the LEAP user name (maximum number of characters is 32).

Reset LEAP User

Resets the LEAP user name to an empty string.

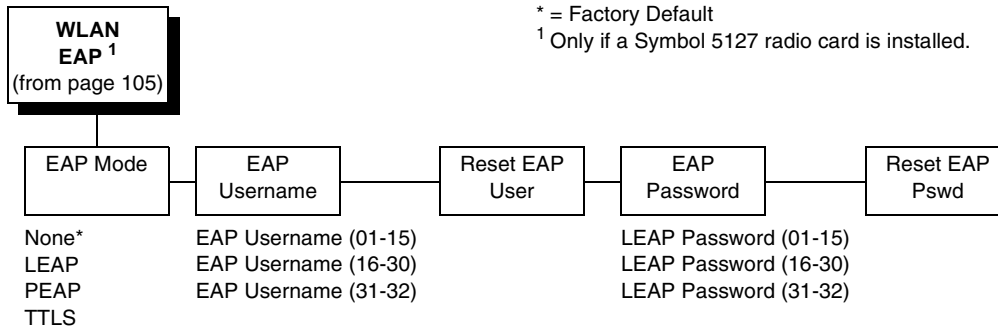
LEAP Password

- **LEAP Password (01-15)**. The first 15 characters of the LEAP password (maximum number of characters is 32).
- **LEAP Password (16-30)**. Characters 16 to 30 of the LEAP password (maximum number of characters is 32).
- **LEAP Password (31-32)**. Characters 31 to 32 of the LEAP password (maximum number of characters is 32).

Reset LEAP Password

Resets the LEAP password to an empty string.

WLAN EAP



EAP Mode

This feature allows the user to select the mode used for the wireless network interface.

- **None** (default). EAP authentication is disabled.
- **LEAP**. Selects Cisco LEAP authentication.
- **PEAP**. Selects PEAP authentication.
- **TTLS**. Selects TTLS authentication.

EAP Username

- **EAP Username (01-15)**. The first 15 characters of the EAP user name (maximum number of characters is 32).
- **EAP Username (16-30)**. Characters 16 to 30 of the EAP user name (maximum number of characters is 32).
- **EAP User (31-32)**. Characters 31 to 32 of the EAP user name (maximum number of characters is 32).

Reset EAP User

Resets the EAP user name to an empty string.

EAP Password

- **EAP Password (01-15)**. The first 15 characters of the EAP password (maximum number of characters is 32).
- **EAP Password (16-30)**. Characters 16 to 30 of the EAP password (maximum number of characters is 32).
- **EAP Password (31-32)**. Characters 31 to 32 of the EAP password (maximum number of characters is 32).

Reset EAP Password

Resets the EAP password to an empty string.

ACTIVE IGP EMUL and ACTIVE EMULATIONS Menus

The emulation types present in the printer are based on the firmware installed and the emulation options included. Both are configured from the Factory and does not require any action from the user.

IMPORTANT Be sure to know which type of firmware and options are purchased (see Table 2) to understand the ACTIVE IGP EMUL, ACTIVE EMULATION, and EMULATION main menus.

This ACTIVE IGP EMUL and ACTIVE EMULATION function allows you to activate the desired emulation. There are two methods for selecting the desired emulation. The first is by selecting the emulation directly from the printer menu. The second is by sending a host command which will switch the emulation automatically (see the appropriate Programmer's Reference Manual for details).

When changing from one emulation to the other, the printer will load the power-up configuration and the new emulation parameters. Any configuration settings performed before selecting these emulations that are not saved in NVRAM will be lost.

Table 7. Available Firmware Types and Options

Firmware Type	ACTIVE IGP EMUL ¹	ACTIVE EMULATION ²	EMULATION ³
P7000 STD	IGP/PGL*	N/A	IPDS CTHI IPG/PGL LinePrinter+
	IGP/VGL	N/A	IPDS CTHI IGP/VGL LinePrinter+
P7000 TN	IGP/PGL*	N/A	IGP/PGL LinePrinter+
	IGP/VGL	N/A	IGP/VGL LinePrinter+

NOTE:

* = Default Selection

¹ The Active IGP EMULATION menu is only available when the PGL/VGL option is installed.

² The ACTIVE EMULATION menu shows the options "IGP/PGL & LP+" and "IGP/VGL & LP+" when the PGL/VGL option is installed. Otherwise, "LinePrinter+" replaces the options.

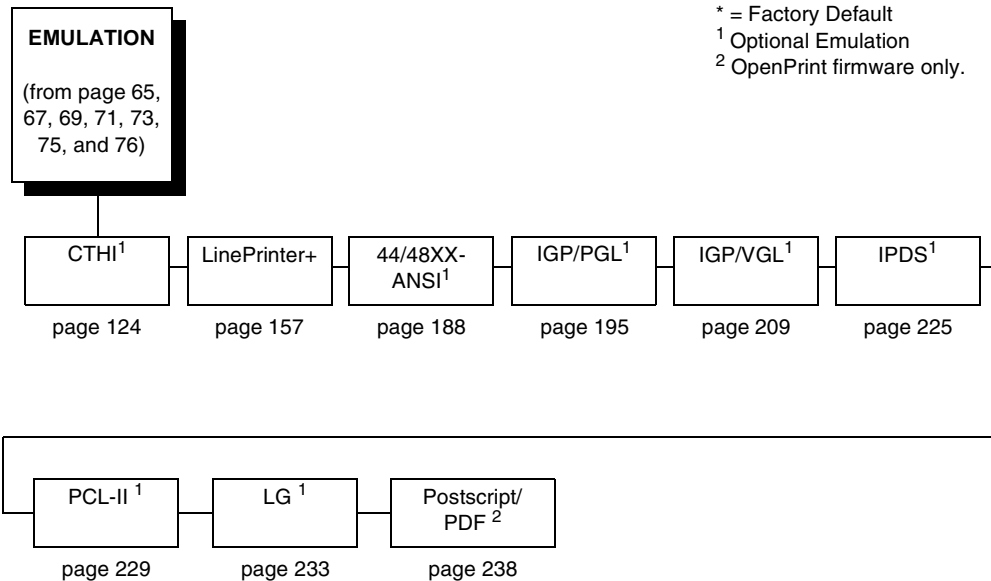
³ The selections under the EMULATION menu is based on the ACTIVE IGP EMULATION or ACTIVE EMULATION settings with all Optional Emulations installed.

Table 7. Available Firmware Types and Options

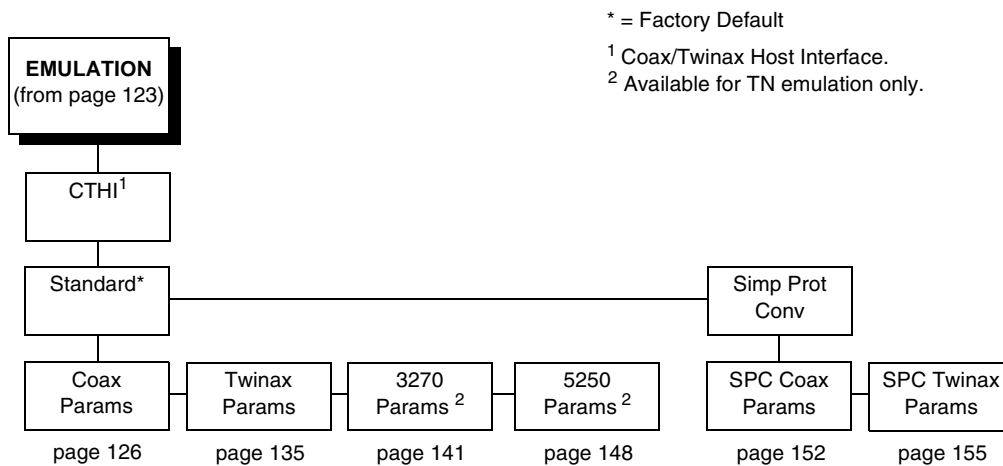
Firmware Type	ACTIVE IGP EMUL ¹	ACTIVE EMULATION ²	EMULATION ³
P7000 PCL-II	N/A	PCL-II*	PCL-II
		IGP/PGL & LP+	IGP/PGL LinePrinter+
		IGP/VGL & LP+	IGP/VGL LinePrinter+
P7000 LG	N/A	LG*	LG
		IGP/PGL & LP+	IGP/PGL LinePrinter+
		IGP/VGL & LP+	IGP/VGL LinePrinter+
P7000 ANSI	N/A	44/48XX-ANSI*	44/48XX-ANSI
		IGP/PGL & LP+	IGP/PGL LinePrinter+
		IGP/VGL & LP+	IGP/VGL LinePrinter+
OpenPrint P7000 STD	N/A	Postscript/PDF*	Postscript/PDF
		IGP/PGL & LP+	IGP/PGL LinePrinter+
		IGP/VGL & LP+	IGP/VGL LinePrinter+
OpenPrint P7000 HD	NA	N/A	Postscript/PDF
<p>NOTE: * = Default Selection ¹ The Active IGP EMULATION menu is only available when the PGL/VGL option is installed. ² The ACTIVE EMULATION menu shows the options “IGP/PGL & LP+” and “IGP/VGL & LP+” when the PGL/VGL option is installed. Otherwise, “LinePrinter+” replaces the options. ³ The selections under the EMULATION menu is based on the ACTIVE IGP EMULATION or ACTIVE EMULATION settings with all Optional Emulations installed.</p>			

EMULATION Menu

The EMULATION menu allows you to configure the emulation used with your printer. The Proprinter XL, Epson FX, P-Series, P-Series XQ, and Serial Matrix emulations are all part of LinePrinter +. You can configure options for the active emulation via the EMULATION menu. Emulation options are further described in their corresponding Programmer's Reference Manual.



Coax/Twinax (CTHI) Emulation



Standard

With a standard coax interface, the printer emulates the following IBM coax printer models:

- 3287 Models 1 and 2
- 4234 Model 1

With a standard twinax interface, the printer emulates the following IBM twinax printer models:

- 4234 Models 2 and 12
- 5225 Models 1, 2, 3, and 4

NOTE: The standard Coax/Twinax emulation selection will only be available if Coax or Twinax is selected from the HOST INTERFACE menu. See page 87.

For more information, refer to the *Coax/Twinax Programmer's Reference Manual*.

Simple Prot Conv

The Simple Protocol Converter (SPC) option allows those who use third party add-on Coax or Twinax protocol converters to produce the same output on a Line Matrix printer with the Coax/Twinax (CTHI) capability as done using a non-CT printer with the third party converter interfaces.

The SPC replaces the third party add-on protocol converters attached to older line matrix printers.

The SPC gives the printer the operational ability to connect to any PC, or network system supporting parallel or serial interfaces, and to three different IBM host systems: System 3x, AS/400[®], and 3270 Mainframes.

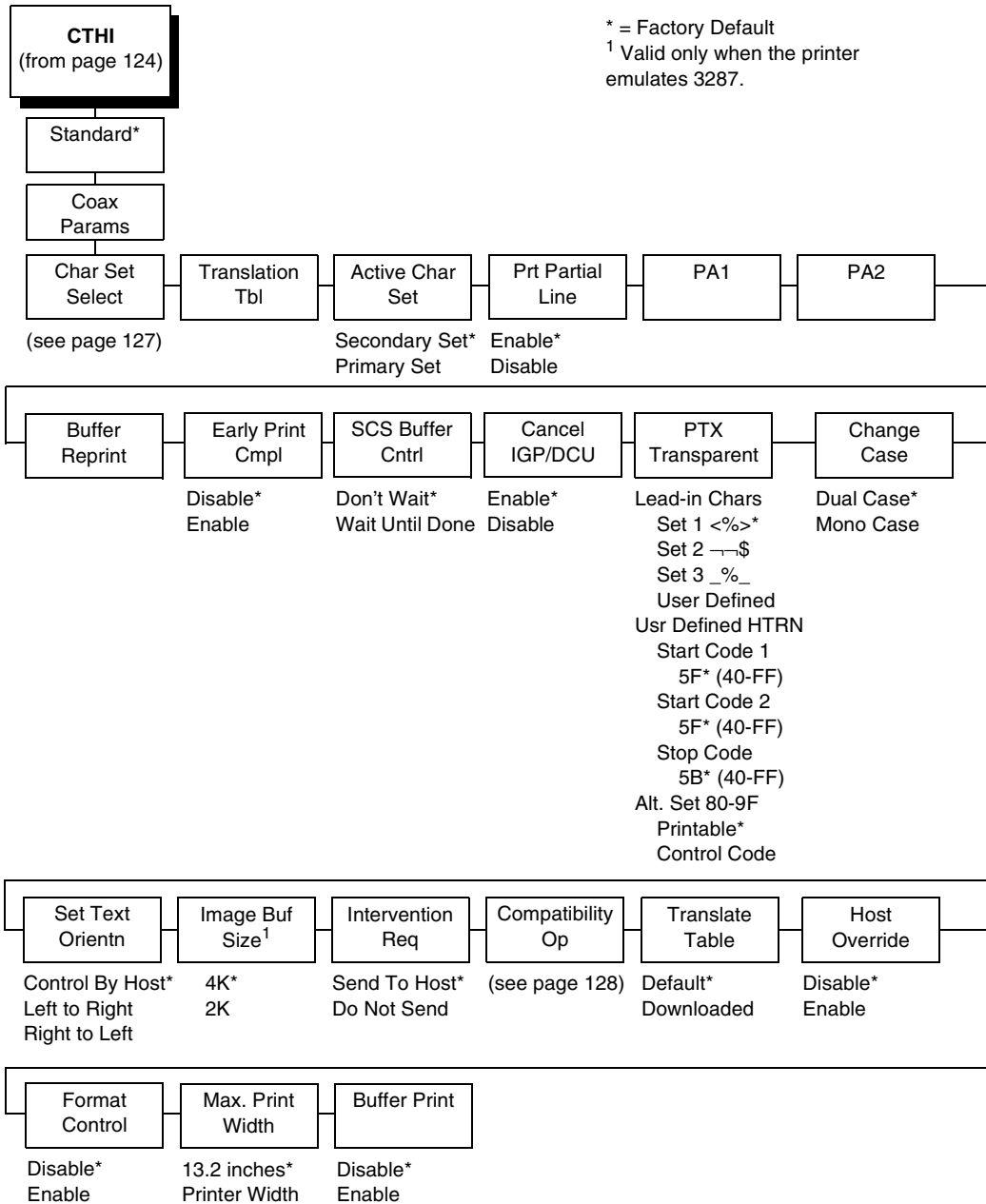
The SPC will support the following third party models for Twinax: MODE 219, MODE IBM, and MODE PROLINE.

The printer emulations supported by the SPC are Twinax 5225 and Coax 3287. The SPC also provides a range of interfaces available in your line matrix printer: Centronics, Dataproducts, Serial, Coax, and Twinax. Also supported are Epson, Proprinter, P-Series, Serial Matrix, IGP/VGL, and IGP/PGL emulations.

The SPC has the ability to handle multiple print jobs concurrently through Coax/Twinax and Parallel and Serial interfaces. This is accomplished through the Auto Switching feature (see page 88). Because of hardware restrictions, Coax and Twinax cannot be selected together.

For more information, consult the *Coax/Twinax Programmer's Reference Manual* for the Simple Protocol Converter Option.

Coax Emulation

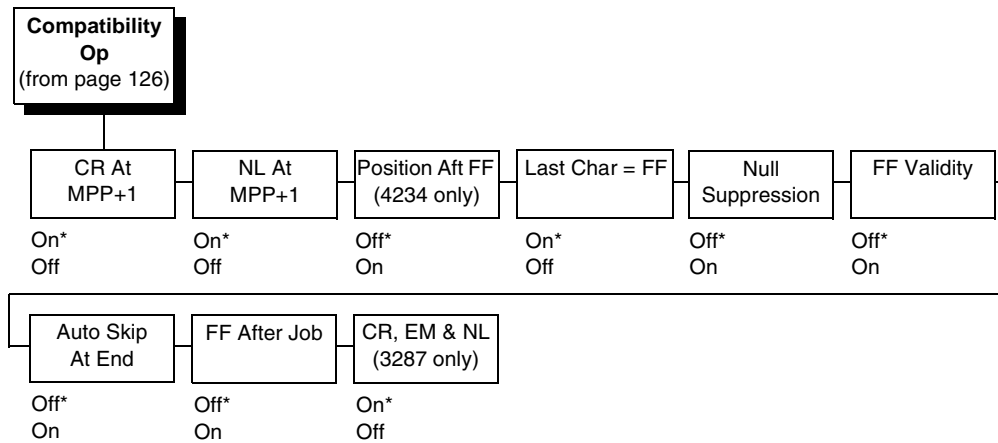


Char Set Select
(from page 126)

* = Factory Default

Primary Sets	Secondary Sets
0037 English US*	English US*
0037 Eng Nether	English UK
0285 English UK	Austrian/German
0273 Austr/Germ	German (Alt)
0274 Belg. Old	Belgian
0275 Brazilian	Brazilian
0260 Canad Fren	Canadian French
0277 Danish	Danish/Norweg.
0287 Danish Alt	Danish (Alt)
0278 Finnish	Finnish/Swedish
0288 Finn. Alt	Finnish (Alt)
0297 French	French
0500 Internat 5	International
0280 Italian	Italian
0281 Japan. Eng	Japanese Eng.
0282 Portuguese	Japanese Katak.
0284 Span Speak	Portuguese
0289 Span. Alt	Portug. (Alt)
0500 Swiss Bil	Spanish
0500 Belg. New	Spanish (Alt)
0803 Hebrew Old	Spanish Speak.
0424 Hebrew	Swiss Fren/Ger
0892 OCR A	Old Hebrew
0893 OCR B	Hebrew
0420 Arabic	Farsi/Latin
0880 Cyril. Old	Greek Old
0423 Greek Old	Greek New
0875 Gr New Euro	Arabic
0871 Icelandic	Turkish
0290 Japan Kata	Turkish Old
0870 Latin 2	Latin 2/ROECE
0838 Thai	Yugoslavian
1026 Turkish	
0890 Yugos. Old	
1097 Farsi	
1025 Cyrillic	
0905 Turk. Old	
0256 Intern. 1	
0924 Euro Lat-9	
1140 Euro Eng.	
1141 Euro Aust.	
1142 Euro Dan.	
1143 Euro Finn.	
1144 Euro Ital.	
1145 Euro Span.	
1146 Euro UK	
1147 Euro Fren.	
1148 Euro Swiss	
1149 Euro Ice.	

* = Factory Default



Char Set Select

Specifies the print language used by the printer. Character sets are shown in detail in the *Character Sets Reference Manual*.

Translation Tbl

Prints out SCS and DSC/DSE tables of the Coax interface's current character set. This operation is valid only when the Coax interface is selected as the current interface (see `HOΣT INTERΦAXE Μενυ` on page 87).

Active Char Set

Selects which group of character sets (Primary or Secondary) will be active. Secondary Set is the default.

Prt Partial Line

- **Enable** (default). Forces the printer to print if a partial line is in the printer (i.e., line not ending with a LF).
- **Disable**. The last partial line of data will not be printed.

PA1

PA1 is only valid when the printer is in the offline state and the coax Systems Network Architecture Character String (SCS) data stream is active. This function displays the "PA1 ENABLED" message when the ENTER key is pressed and sends a special operator request to the host when the printer is put back in Online mode. Refer to the *Coax/Twinax Programmer's Reference Manual* for more information about SCS.

NOTE: Selecting the PA1 menu item again ("PA1 DISABLED" appears on the operator panel) or selecting the PA2 menu item will reset the pending PA1 function.

PA2

PA2 is only valid when the printer is in the Offline state and the coax SCS data stream is active. This function displays the “PA2 ENABLED” message when the ENTER key is pressed and sends a special operator request to the host when the printer is put back in online mode.

NOTE: Selecting the PA2 menu item again (“PA2 DISABLED” appears on the operator panel) or selecting the PA1 menu item will reset the pending PA2 function.

Buffer Reprint

This option is valid only when the printer is printing in SCS mode. When the ENTER key is pressed, “Buffer Reprint Enabled” is displayed and an Intervention Required status is sent to the host. Pressing ENTER again cancels the Buffer Reprint function and displays “Buffer Reprint Disabled.”

Early Print Cmpl

Allows the printer to send print (order) complete status to the host before the printer is actually done printing all data. This option is valid only when the printer is in DSC/DSE mode.

- **Disable** (default). The printer will suppress the Early Print Complete response until all printing is complete.
- **Enable**. The printer will send an acknowledgment to the host when it is able to accept more data.

NOTE: When Early Print Complete is enabled and an error occurs, you may lose data.

SCS Buffer Cntrl

This option is used in Coax LU1/SCS mode only.

- **Don't Wait** (default). The printer does not wait for the job to be printed before sending the print completion to the host.
- **Wait Until Done**. The printer waits for the job to print before sending the print completion to the host.

This option speeds up the LU1 job printing for short jobs. If you select “Don't Wait,” there is a risk that you may not be able to recover the print job when the printer has fault.

Cancel IGP/DCU

- **Enable** (default). Cancels all buffers when a job is put on hold from the host or when the CANCEL key is pressed.
- **Disable**. Does not cancel any internal buffer in the printer when a job is put on hold from the host or when the CANCEL key is pressed.

PTX Transparent

Lead-in Chars

You can enable additional printer features which are not accessible through standard Coax emulations. To access these features, send text commands in the data stream. The commands must have a start and end code. Four sets are available:

- **Set 1.** start code: <%
stop code: >
- **Set 2.** start code: ␣␣
stop code: \$
- **Set 3.** start code: _%
stop code: _
- **User Defined.**

Usr Defined HTRN

This option is used in Twinax SPC emulation. The range is ASCII character. This option allows users to define their own lead-in characters for the Printronix Specific commands. Select a hex value for the following codes for the User Defined option:

- **Start Code 1 5F**
- **Start Code 2 5F**
- **Stop Code 5B**

Alt. Set 80-9F

- **Printable.** Prints data in the range of hex 80 through hex 9F.
- **Control Code.** Interprets data in the range of hex 80 through hex 9F as a control code.

Change Case

Specifies the font as Mono or Dual case. This option is available only in non-SCS mode. The host will be notified of the change when the printer is placed online. Mono Case prints the same as Dual Case if the character set is one of the following “right to left” sets: Katak., Hebrew, Old Hebrew, and Farsi. The default is Dual Case.

SCS (System Network Architecture Character String) mode is controlled by the host computer.

Set Text Orientn

Specifies the direction in which characters are printed on the page. This allows the printer to print languages which are printed right to left instead of left to right.

- **Control By Host** (default). Allows printers configured as a 4234 to use the “Set Text Orientation” command from the host.
- **Left to Right**.
- **Right to Left**. When a right to left language is selected, the host will be notified of print direction changes when the printer is placed online.

Image Buf Size

Allows you to select 2K or 4K as the image buffer size. This option is valid only when the printer emulates the 3287. For the 4234 emulation, the buffer size is fixed at 4K. A POR status is sent to the host when the printer is placed online.

Intervention Req

- **Send to Host** (default). The printer sends a signal to the host computer when a printer fault or hold mode time-out occurs.
- **Do Not Send**. No signal will be sent to the host computer.

Compatibility Op

The Compatibility Options allow you to select special printer functions in the non-SCS mode based on the capabilities of the printer emulated.

CR At MPP+1

MPP is Maximum Print Position, which is also known as line length. This option controls a carriage return at the end of a print line and at MPP+1.

- **On** (default). Produces a carriage return to the first print position of the next line.
- **Off**. Produces a carriage return to the first print position of the current line.

NL At MPP+1

Controls how many lines are skipped when the carriage returns to a new line.

- **On** (default). Moves to the first print position two lines down from the current position.
- **Off**. Moves to the first print position of the next print line.

Position Aft FF (4234 only)

Allows you to select the location of the print position after a form feed command is sent.

- **On** (default). Sets the printer to print at print position 1 of the first print line on the next form.
- **Off**. Sets the printer to print at print position 2 of the first print line on the next form.

Last Char = FF

Determines the print line position when a form feed command is the last code encountered in the print buffer.

- **On** (default). Moves to the first print position on the second line of the next form.
- **Off**. Moves to the first print position on the first line of the next form.

NOTE: This option is ignored if Auto Skip At End is on.

If configured as a 3287, and a form feed occurs in the middle of a print buffer, the printer defaults to the first print position on the second line of the next form regardless of the setting of this option.

Null Suppression

- **Off** (default). Ignores nulls. The print position does not move.
- **On**. Treats nulls as blank spaces.

FF Validity

Determines if the position of a form feed command affects its execution.

- **Off** (default). Performs a form feed only if it occurs at the first print position in a line or at Maximum Print Position +1. A form feed command at any other position is recognized as a space.
- **On**. Allows the printer to perform a form feed command anywhere in the data stream.

Auto Skip At End

Specifies whether or not to perform an automatic form feed at the end of a print buffer. If form feed is the last character in the print order, the form feed function is supplied by the Auto Skip At End option.

- **Off** (default). Sets the printer to print at print position 1 of the next line.
- **On**. Sets the printer to print at print position 1 of the first line of the next form.

FF After Job

Determines the print position after an operator-initiated local copy (print screen function).

- **Off** (default). Performs an automatic new line command after completing a print buffer (unless a new line, form feed, or carriage return command was the last one executed). The printer is set to print at print position 1 of the next line.
- **On**. Performs an automatic form feed command unless a form feed was the last one executed. The printer is set to print at print position 1 of the first line on the next form.

CR, EM, & NL (3287 only)

CR (Carriage Return), EM (Error Message), and NL (New Line) specify that the printer treat the CR, EM, and NL control codes either as spaces or as control codes.

- **On** (default). Treats the CR, EM, and NL commands as control codes.
- **Off**. Treats the CR, EM, and NL commands as spaces.

Translate Table

Defines which translate table to use for printing.

- **Default** (default). Translates data by using the default table of the current character set.
- **Downloaded**. Translates data from EBCDIC to internal code by using the downloaded translate table.

Host Override

Determines whether the printer accepts certain commands sent by the host or continues to use the current operator panel settings.

- **Disable** (default). Allows the following host commands to override operator panel settings: line length, forms length, lines per inch (LPI), characters per inch (CPI), print quality, and text orientation. Note the information appearing on the message display may not match the data stream setting. No values will change upon initial selection of the disable option.
- **Enable**. The operator panel settings override the host commands.

Format Control

Enables the printer to reflect the same spacing as CTPC model printers after absolute and relative move commands are executed.

- **Disable** (default). Reflects distance, generated by the IGP/VGL feature, IGP/PGL feature, and Hex Transparent control code sequence, in the new position (after horizontal and vertical tabs are executed).
- **Enable**. Does not reflect distance, generated by the IGP/VGL feature, IGP/PGL feature, and Hex Transparent control code sequence, in the new position (after horizontal and vertical tabs are executed).

Max. Print Width

Set the maximum print width at either 13.2 inches or the maximum width of the printer. The default is 13.2 inches.

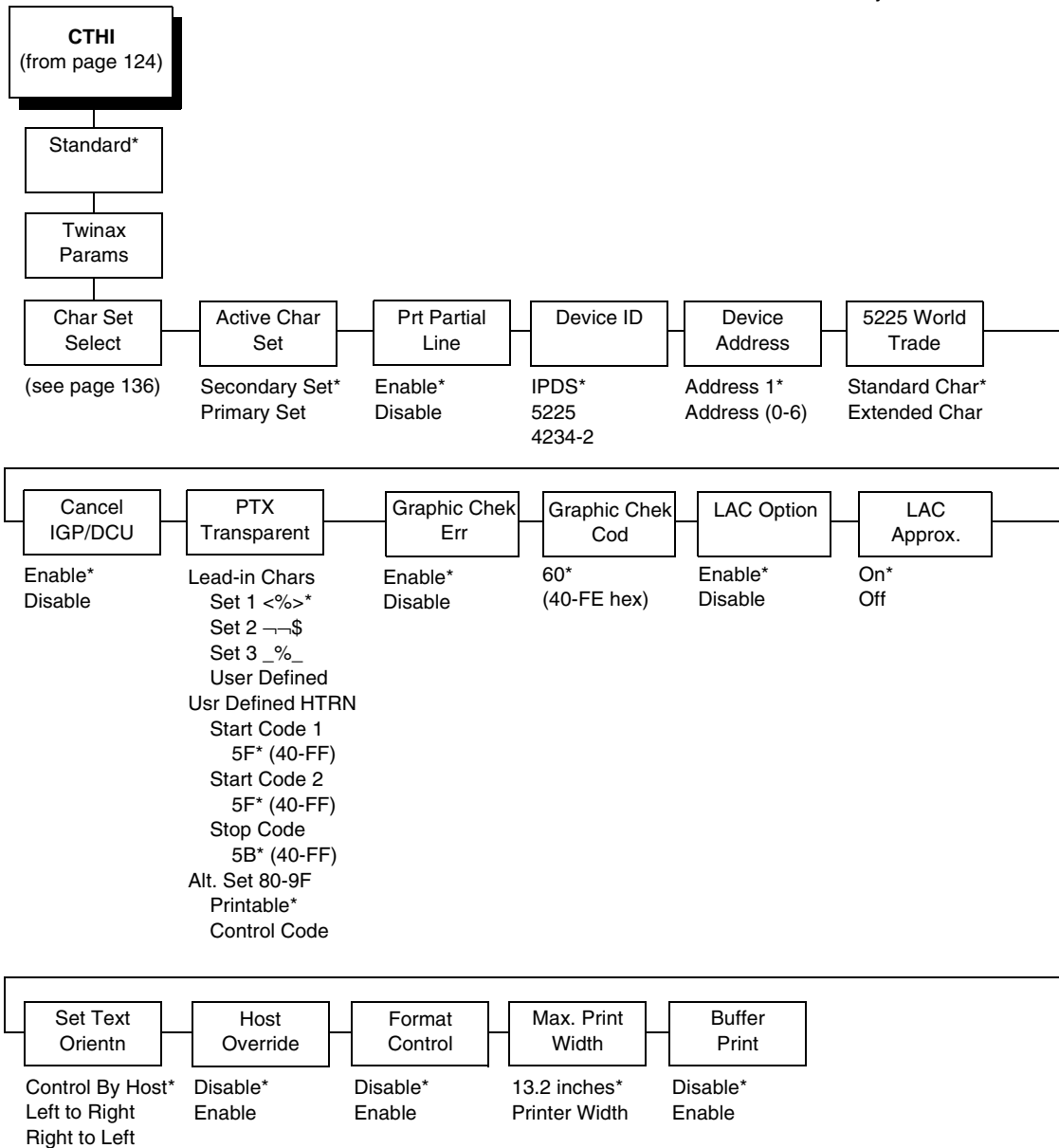
Buffer Print

- **Disable** (default). The printer will print normally.
- **Enable**. The printer prints the EBCDIC data and control codes received from the host as hex values. Refer to page 285 for information on how to obtain a hex code printout.

NOTE: Use of this parameter may alter print attributes set by the host computer. A power cycle may be required after changing Buffer Print from enable to disable.

Twinax Params

* = Factory Default



Char Set Select
(from page 135)

Primary Sets

0037 English US*
 0037 Eng Nether
 0500 Swiss Bil
 0500 Belg. New
 0273 Austr/Germ
 0274 Belg. Old
 0275 Brazilian
 0260 Canad Fren
 0277 Danish
 0278 Finnish
 0297 French
 0280 Italian
 0281 Japan. Eng
 0282 Portuguese
 0284 Span Speak
 0285 English UK
 0892 OCR A
 0893 OCR B
 0424 Hebrew
 0803 Hebrew Old
 0420 Arabic
 0880 Cyril. Old
 0423 Greek Old
 0875 Gr New Euro
 0871 Icelandic
 0290 Japan Kata
 0870 Latin 2
 0838 Thai
 1026 Turkish
 0890 Yugos. Old
 1097 Farsi
 1025 Cyrillic
 0256 Intern. 1
 1112 Balt Mult
 0924 Euro Latin-9
 1122 Estonian
 1140 Euro Eng.
 1141 Euro Aust.
 1142 Euro Dan.
 1143 Euro Finn.
 1144 Euro Ital.
 1145 Euro Span.
 1146 Euro UK.
 1147 Euro Fren.
 1148 Euro Swiss
 1149 Euro Ice.
 0500 Internat 5

Secondary Sets

English US*
 Austrian/German
 Belgian
 Brazilian
 Canadian French
 Danish/Norweg.
 Finnish/Swedish
 French
 Italian
 Japanese Eng.
 Japanese Katak.
 Portuguese
 Spanish
 Spanish Speak.
 English UK
 Old Hebrew
 Hebrew
 Farsi/Latin
 Greek Old
 Greek New
 Arabic
 Turkish
 Latin 2/ROECE
 Yugoslavian
 Multinational

* = Factory Default

Char Set Select

Specifies the print language used by the printer. Character sets are shown in detail in the *Character Sets Reference Manual*.

Active Char Set

This option selects which group of character sets (Primary or Secondary) will be active. Secondary Set is the default.

Prt Partial Line

- **Enable** (default). Forces the printer to print a partial line (i.e., line not ending with a LF) before moving to the top of form on the next page.
- **Disable**. The last partial line of data will not be printed.

Device ID

This parameter defines the printer emulation as IPDS, 5225, or 4234-2. After the emulation has been changed, a POR status is sent to the host. IPDS is the default.

Device Address

Allows you to set the device address from 0 through 6. The host directs data and commands on the twinax line to a specific device based on its unique device address. After the address has been changed, a POR status is sent to the host.

5225 World Trade

The 5225 emulation has a standard multinational character set that serves as a base and 14 extended world trade character set assortments.

Cancel IGP/DCU

- **Enable** (default). Cancels all buffers when a job is put on hold from the host or the CANCEL key is pressed.
- **Disable**. Does not cancel any internal buffer in the printer when a job is put on hold from the host or the CANCEL key is pressed.

PTX Transparent

Lead-in Chars

You can enable additional features that are not available in standard Twinax emulations. To access these features, send text commands in the data stream. The commands must have a start and end code. Three sets (each containing a start and end code) are available:

- **Set 1.** start code: <%
stop code: >
- **Set 2.** start code: ␣␣
stop code: \$
- **Set 3.** start code: _%
stop code: _
- **User Defined**

Usr Defined HTRN

This option is used in Twinax SPC emulation. The range is ASCII character. This option allows users to define their own lead-in characters for the Printronix Specific commands. Select a hex value for the following codes for the User Defined option:

- **Start Code 1 5F**
- **Start Code 2 5F**
- **Stop Code 5B**

Alt. Set 80-9F

- **Printable** (default). Prints data in the range of hex 80 through hex 9F.
- **Control Code.** Interprets data in the range of hex 80 through hex 9F as a control code.

Graphic Chek Err

Allows overriding of the host setting for the SGEA (Set Graphic Error Action) command. For more information about the SGEA command, refer to the *Coax/Twinax Programmer's Reference Manual*.

- **Enable** (default). The host setting for the SGEA used by the printer. If the SGEA command is requested to stop on graphic errors, the printer will stop when a graphic error is detected.
- **Disable.** Ignores the SGEA command from the host. The printer does not stop when an error is detected; instead, it substitutes the character selected in the Graphic Chek Code parameter.

Graphic Chek Cod

Specifies the replacement character to print in place of any unprintable character that is received from the host. Choose a hex character from 40 through FE. The character becomes the printer default when:

- the printer is powered off and then powered on;
- an SGEA command specifies to use the operator panel default;
- the Graphic Chek Err parameter is disabled.

LAC Option

Allows the host system to load alternate character images into the printer. This may be used for designing graphics, barcodes, and charts, or for printing in foreign languages.

- **Enable** (default). Prints the LAC character as defined.
- **Disable**. Ignores the LAC definition from the host and prints from the currently selected character set.

LAC Approx.

A process that reorganizes columns of dots so that clean, readable printing is possible.

- **On** (default). Converts the emulated character cells to standard cells for the P7224 model.
- **Off**. Converts character cells byte by byte and not by LAC approximation.

Set Text Orientn

Specifies the direction in which characters are printed on the page. This allows the printer to print languages that are printed right to left instead of left to right. The options include:

- **Control By Host** (default)
- **Left to Right**
- **Right to Left**

Host Override

Determines whether the printer accepts certain commands sent by the host or continues to use the current operator panel settings.

- **Disable** (default). Allows the following host commands to override operator panel settings: line length, forms length, lines per inch (LPI), characters per inch (CPI), print quality, and text orientation. Note the information appearing on the message display may not match the data stream setting. No values will change upon initial selection of the disable option.
- **Enable**. The operator panel settings override the host commands.

NOTE: Host margin and tab settings will take precedence whether or not Host Override is enabled.

Format Control

Enables the printer to reflect the same spacing as CTPC model printers after absolute and relative move commands are executed.

- **Disable** (default). Reflects distance, generated by the IGP/VGL feature, IGP/PGL feature, and Hex Transparent control code sequence, in the new position (after absolute and relative move commands are executed).
- **Enable**. Does not reflect distance, generated by the IGP/VGL feature, IGP/PGL feature, and Hex Transparent control code sequence, in the new position (after absolute and relative move commands are executed).

Max. Print Width

Set the maximum print width at either 13.2 inches or the maximum width of the printer. The default is 13.2 inches.

Buffer Print

- **Disable** (default). The printer will print normally.
- **Enable**. The printer prints the EBCDIC data and control codes received from the host as hex values. Refer to page 285 for information on how to obtain a hex code printout.

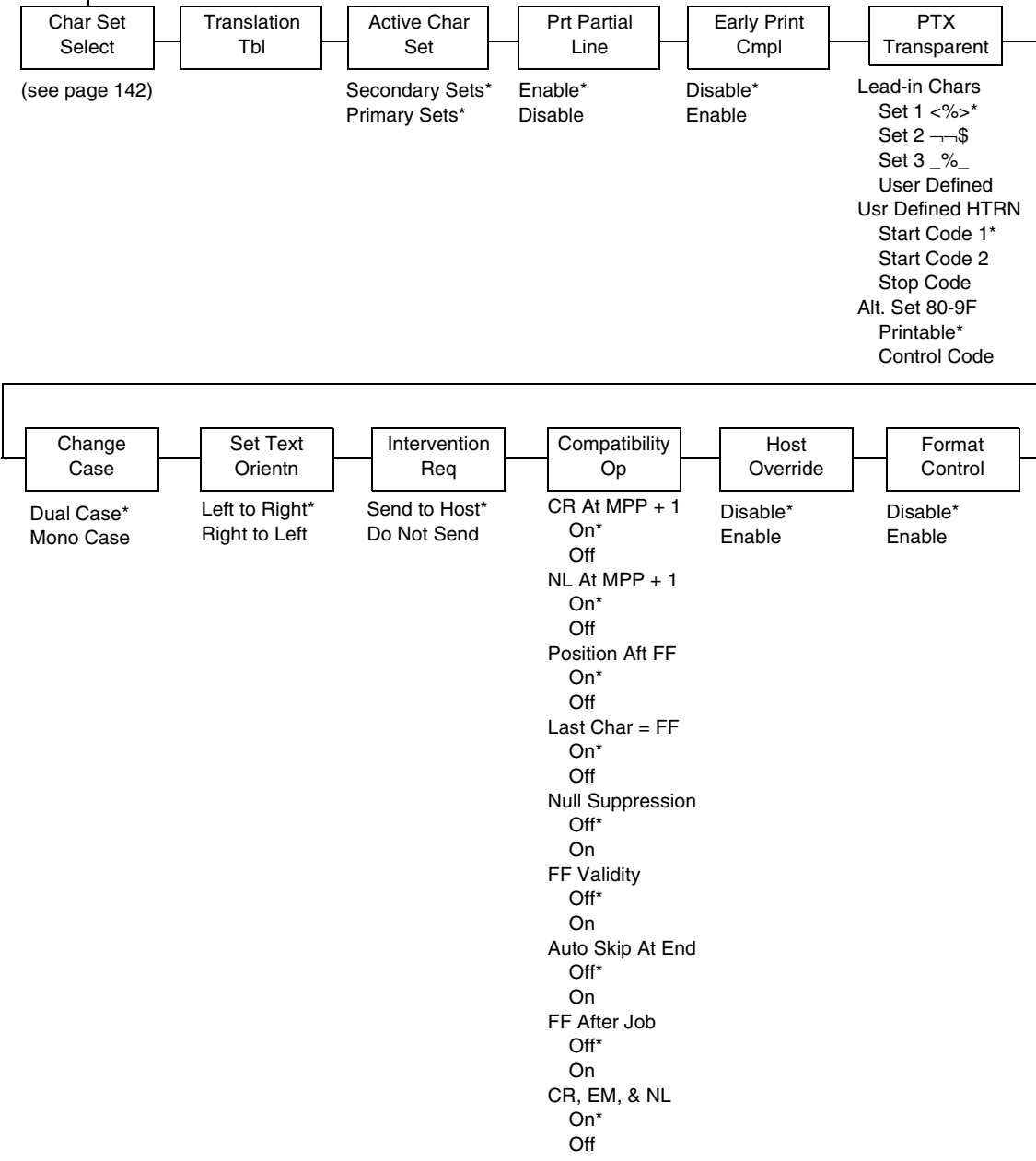
NOTE: Use of this parameter may alter print attributes set by the host computer. A power cycle may be required after changing Buffer Print from enable to disable.

3270 Params

* = Factory Default

¹ This menu appears only if the TN3270 option is installed.

**3270
Params ¹**
(from page 124)



Max. Print
Width

13.2 inches*
Printer Width



* = Factory Default

Translation Tbl

Prints out a table of the Coax interface's current character set. This operation is valid only when the TN3270 interface is the current interface.

Active Char Set

Specifies which character language set will be the active set.

- **Secondary Sets** (default)
- **Primary Sets**

Prt Partial Line

- **Enable** (default). When this option is enabled, it forces the printer to print if a partial line is in the printer (i.e. line not ending with a LF).
- **Disable**. When disabled, the last partial line of data will not be printed.

Early Print Cmpl

Early Print Complete allows the printer to send Print Complete status to the host before the printer is actually done printing all data. Early Print Complete is only available if the IPDS feature is installed.

- **Disable** (default). Means the printer will suppress the Early Print Complete response until all printing is complete.
- **Enable**. Means the printer will send an acknowledgement to the host when it is able to accept more data.

NOTE: When an Early Print Complete is enabled and an error occurs, the data in the printer will remain in the buffer (regardless of the setting of the Cancel Buffer option). It is recommended that local procedures be followed to recover from the error.

Do not select Early Print Complete while a print job is in progress. If this is done you will need to restart the printer.

PTX Transparent

Lead-in Chars

You can enable additional printer features which are not accessible through standard TN3270 emulations. To access these features, send text commands in the data stream. The commands must have a start and end code. Four sets are available:

- **Set 1.** start code: <% (default)
stop code: >
- **Set 2.** start code: ␣␣
stop code: \$
- **Set 3.** start code: _%
stop code: _
- **User Defined.**

Usr Defined HTRN

This option is used to set user defined lead-in characters. The range is ASCII character. This option allows users to define their own lead-in characters for the Printronix Specific commands. Select a hex value for the following codes for the User Defined option:

- **Start Code 1 5F** (default)
- **Start Code 2 5F**
- **Stop Code 5B**

Alt. Set 80-9F

- **Printable** (default). Prints data in the range of hex 80 through hex 9F.
- **Control Code**. Interprets data in the range of hex 80 through hex 9F as a control code.

Change Case

Specifies the font as Mono or Dual case. This option is available only in non-SCS mode. The host will be notified of the change when the printer is placed online. Mono Case prints the same as Dual Case if the character set is one of the following “right to left” sets: Katak., Hebrew, Old Hebrew, and Farsi.

SCS (System Network Architecture Character String) mode is controlled by the host computer.

- **Dual Case** (default)
- **Mono Case**

Set Text Orientn

Specifies the direction in which characters are printed on the page. This allows the printer to print languages which are printed right to left instead of left to right.

- **Left to Right** (default).
- **Right to Left**. When a right to left language is selected, the host will be notified of print direction changes when the printer is put online.

Intervention Req

Select from the following:

- **Send To Host** (default). The printer sends a signal to the host computer when any of the following occur:
 - Printer faults occur.
 - Hold mode time-out occurs.
- **Not Send To Host**

If not selected, the printer will only send the signal on printer faults that cause data loss (paper jam, ribbon stall, online platen open, etc.).

Compatibility Op

The Compatibility Options allow you to select special printer functions in the non-SCS mode based on the capabilities of the printer emulated.

CR At MPP+1

MPP is Maximum Print Position, which is also known as line length. This option controls a carriage return at the end of a print line and at MPP+1.

- **On** (default). Produces a carriage return to the first print position of the next line.
- **Off**. Produces a carriage return to the first print position of the current line.

NL At MPP+1

Controls how many lines are skipped when the carriage returns to a new line.

- **On** (default). Moves to the first print position two lines down from the current position.
- **Off**. Moves to the first print position of the next print line.

Position Aft FF (4234 only)

Allows you to select the location of the print position after a form feed command is sent.

- **On** (default). Sets the printer to print at print position 1 of the first print line on the next form.
- **Off**. Sets the printer to print at print position 2 of the first print line on the next form.

Last Char = FF

Determines the print line position when a form feed command is the last code encountered in the print buffer.

- **On** (default). Moves to the first print position on the second line of the next form.
- **Off**. Moves to the first print position on the first line of the next form.

NOTE: This option is ignored if Auto Skip At End is on.

If configured as a 3287, and a form feed occurs in the middle of a print buffer, the printer defaults to the first print position on the second line of the next form regardless of the setting of this option.

Null Suppression

- **Off** (default). Ignores nulls. The print position does not move.
- **On**. Treats nulls as blank spaces.

FF Validity

Determines if the position of a form feed command affects its execution.

- **Off** (default). Performs a form feed only if it occurs at the first print position in a line or at Maximum Print Position +1. A form feed command at any other position is recognized as a space.
- **On**. Allows the printer to perform a form feed command anywhere in the data stream.

Auto Skip At End

Specifies whether or not to perform an automatic form feed at the end of a print buffer. If form feed is the last character in the print order, the form feed function is supplied by the Auto Skip At End option.

- **Off** (default). Sets the printer to print at print position 1 of the next line.
- **On**. Sets the printer to print at print position 1 of the first line of the next form.

FF After Job

Determines the print position after an operator-initiated local copy (print screen function).

- **Off** (default). Performs an automatic new line command after completing a print buffer (unless a new line, form feed, or carriage return command was the last one executed). The printer is set to print at print position 1 of the next line.
- **On**. Performs an automatic form feed command unless a form feed was the last one executed. The printer is set to print at print position 1 of the first line on the next form.

CR, EM, and NL (3287 only)

CR (Carriage Return), EM (Error Message), and NL (New Line) specify that the printer treat the CR, EM, and NL control codes either as spaces or as control codes.

- **On** (default). Treats the CR, EM, and NL commands as control codes.
- **Off**. Treats the CR, EM, and NL commands as spaces.

Host Override

Determines whether the printer accepts certain commands sent by the host, or continues to use the current operator panel settings.

- **Disable** (default). Allows these host commands to override operator panel settings: line length, forms length, lines per inch (LPI), characters per inch (CPI), print quality, and text orientation. Note the information appearing on the message display may not match the data stream setting. No values will change upon initial selection of the disable option.
- **Enable**. The operator panel settings override the host commands.

Format Control

Enables the printer to reflect the same spacing as CTPC model printers after absolute and relative move commands are executed.

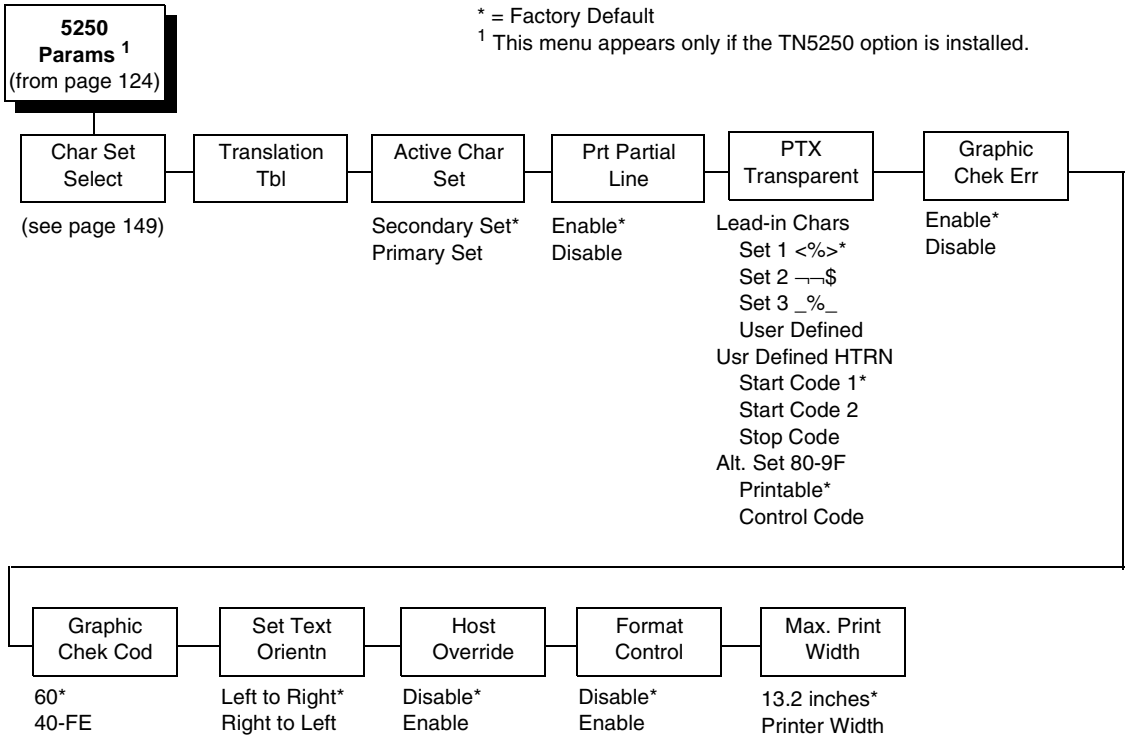
- **Disable** (default). Reflects distance, generated by the VGL feature, PGL feature, and Hex Transparent control code sequence, in the new position (after horizontal and vertical tabs are executed).
- **Enable**.

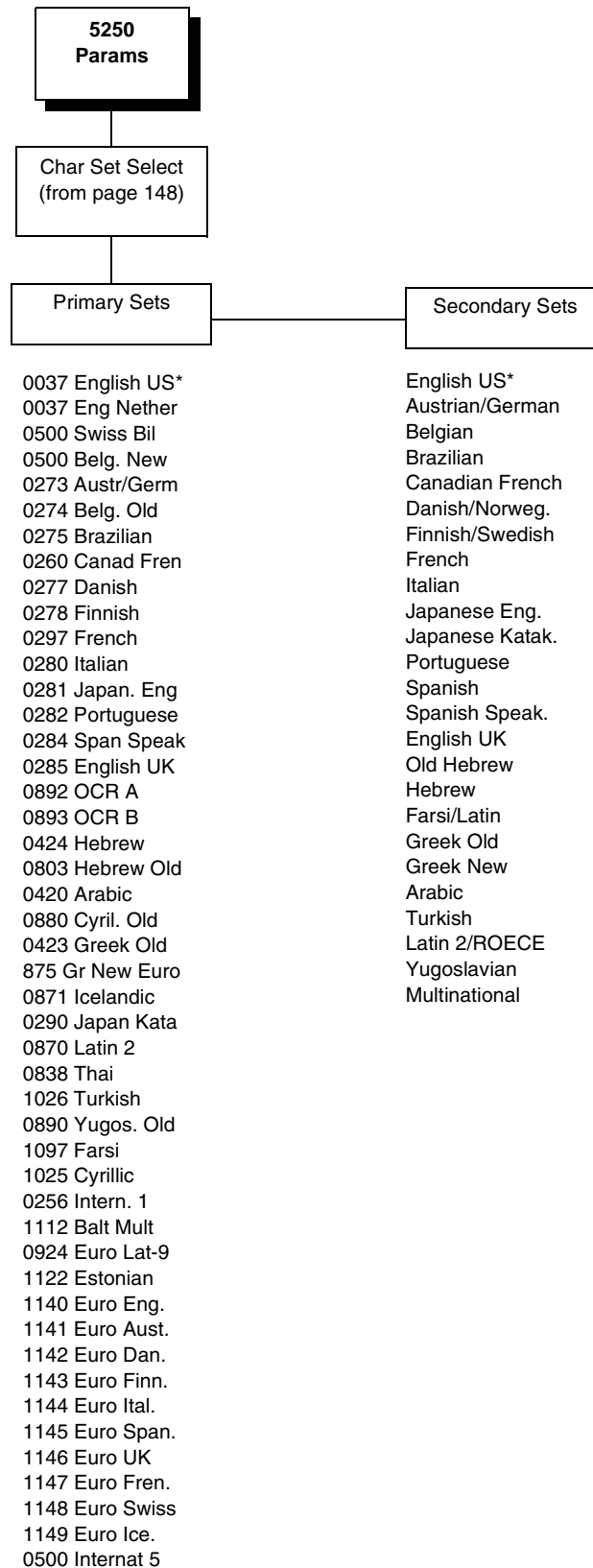
Max. Print Width

Set the maximum print width the printer will print when using a C/T host interface. Set for 13.2 inches when printing files larger than the width of the printer. All data exceeding the width of the maximum Printer Width will be truncated.

- **13.2 inches** (default)
- **Printer Width** (the maximum width of the printer)

5250 Params





* = Factory Default

Translation Tbl

Prints out a table of the TN5250 interface's current character set. This operation is valid only when the TN5250 interface is the current interface.

Active Char Set

Selects which group of character sets (Primary or Secondary) will be active.

- **Secondary Set** (default)
- **Primary Set**

Prt Partial Line

- **Enable** (default). When this option is enabled, it forces the printer to print if a partial line is in the printer (i.e. line not ending with a LF).
- **Disable**. When disabled, the last partial line of data will not be printed.

PTX Transparent

Lead-in Chars

You can enable additional printer features which are not accessible through standard TN5250 emulations. To access these features, send text commands in the data stream. The commands must have a start and end code. Four sets are available:

- **Set 1.** start code: <% (default)
stop code: >
- **Set 2.** start code: ␣␣
stop code: \$
- **Set 3.** start code: _%
stop code: _
- **User Defined.**

Usr Defined HTRN

This option is used to set user defined lead-in characters. The range is ASCII character. This option allows users to define their own lead-in characters for the Printronix Specific commands. Select a hex value for the following codes for the User Defined option:

- **Start Code 1 5F** (default)
- **Start Code 2 5F**
- **Stop Code 5B**

Alt. Set 80-9F

- **Printable** (default). Prints data in the range of hex 80 through hex 9F.
- **Control Code**. Interprets data in the range of hex 80 through hex 9F as a control code.

Graphic Chek Err

Allows overriding of the host setting for the SGEA (Set Graphic Error Action) command. For more information about the SGEA command, refer to the *Coax/Twinax Programmer's Reference Manual*.

- **Enable** (default). The host setting for the SGEA used by the printer. If the SGEA command is requested to stop on graphic errors, the printer will stop when a graphic error is detected.
- **Disable**. Ignores the SGEA command from the host. The printer does not stop when an error is detected; instead, it substitutes the character selected in the Graphic Chek Code parameter.

Graphic Chek Cod

Specifies the replacement character to print in place of any unprintable character that is received from the host. Choose a hex character from 40 through FE. The character becomes the printer default when:

- The printer is powered off and then powered on.
- An SGEA command specifies to use the operator panel default.
- The Graphic Chek Err parameter is disabled.

The value can be the following:

- **60** (default)
- **40 – F4**

Set Text Orientn

Specifies the direction in which characters are printed on the page. This allows the printer to print languages which are printed right to left instead of left to right.

- **Left to Right** (default)
- **Right to Left**. When a right to left language is selected, the host will be notified of print direction changes when the printer is put online.

Host Override

Determines whether the printer accepts certain commands sent by the host, or continues to use the current operator panel settings.

- **Disable** (default). Allows these host commands to override operator panel settings: line length, forms length, lines per inch (LPI), characters per inch (CPI), print quality, and text orientation. Note the information appearing on the message display may not match the data stream setting. No values will change upon initial selection of the disable option.
- **Enable**. The operator panel settings override the host commands.

Format Control

Enables the printer to reflect the same spacing as CTPC model printers after absolute and relative move commands are executed.

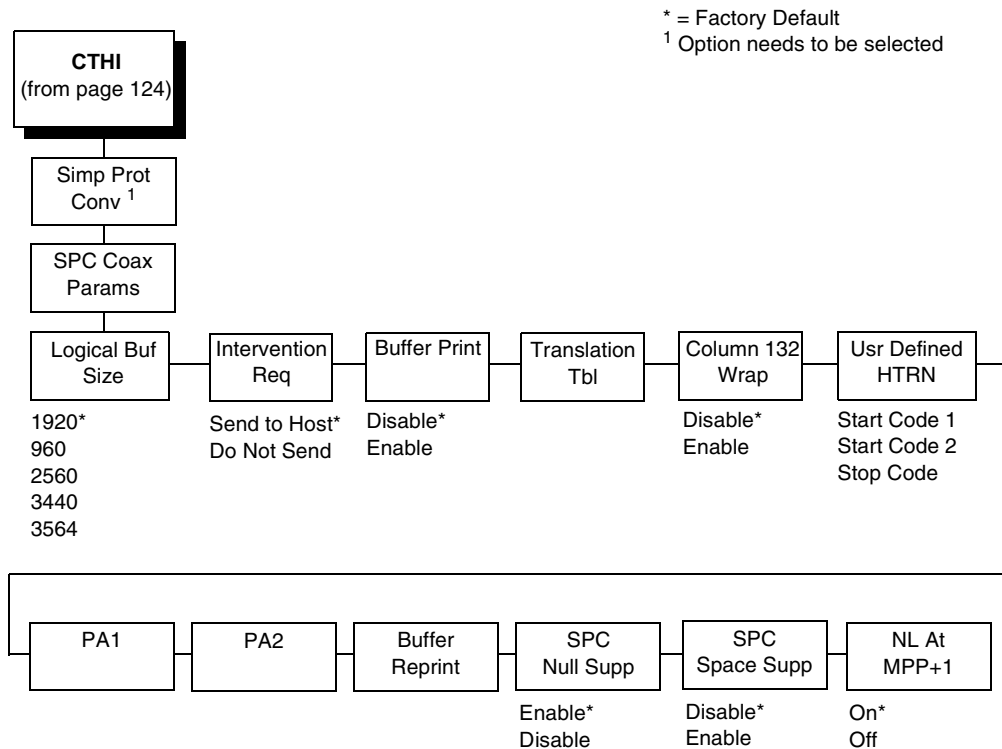
- **Disable** (default). Reflects distance, generated by the VGL feature, PGL feature, and Hex Transparent control code sequence, in the new position (after horizontal and vertical tabs are executed).
- **Enable**.

Max. Print Width

Set the maximum print width the printer will print when using a C/T host interface. Set for 13.2 inches when printing files larger than the width of the printer. All data exceeding the width of the maximum Printer Width will be truncated.

- **13.2 Inches** (default)
- **Printer Width** (the maximum width of the printer)

SPC Coax Params



Logical Buf Size

Refers to the size of the printer buffer, which should be set the same as the host screen (buffer) size. If the host screen size is unknown, use 1920. Do not change this parameter in the middle of a print job.

Intervention Req

- **Send to Host** (default). The printer sends a signal to the host computer when the CANCEL key is pressed or a printer fault or hold mode time-out occurs.
- **Do Not Send**. No signal will be sent to the host computer.

Buffer Print

- **Disable** (default). The printer will print normally.
- **Enable**. The printer prints the EBCDIC data and control codes received from the host as hex values. Refer to page 285 for information on how to obtain a hex code printout.

Translation Tbl

Prints a table of the Coax interface's current character set. This operation is valid only when the Coax interface is selected (see `HOST INTERΦAXE Μενυ ον παγε 87`).

Column 132 Wrap

When enabled, this option causes the printer to line wrap at 132 characters despite the current print density, allowing more characters per line. The options include:

- **Disable** (default)
- **Enable**

Usr Defined HTRN

This option is used in Twinax SPC emulation. The range is ASCII character. This option allows users to define their own lead-in characters for the Printronix Specific commands. Select a hex value for the following codes for the User Defined option:

- **Start Code 1 5F**
- **Start Code 2 5F**
- **Stop Code 5B**

PA1

PA1 is only valid when the printer is in the offline state and the Coax Systems Network Architecture Character String (SCS) data stream is active. This function displays the "PA1 ENABLED" message when the ENTER key is pressed and sends a special operator request to the host when the printer is placed online. Refer to the *Coax/Twinax Programmer's Reference Manual* for more information about SCS.

PA2

PA2 is only valid when the printer is in the OFFLINE state and the Coax SCS data stream is active. This function displays the “PA2 ENABLED” message when the ENTER key is pressed and sends a special operator request to the host when the printer is placed ONLINE.

Buffer Reprint

This option is valid only when the printer is printing in SCS mode. When the ENTER key is pressed, “Buffer Reprint Enabled” is displayed and an Intervention Required status is sent to the host. Pressing ENTER again cancels the Buffer Reprint function and “Buffer Reprint Disabled” is displayed.

SPC Null Supp

- **Enable** (default). Treats nulls as blank spaces.
- **Disable**. Ignores nulls. The print position does not move.

SPC Space Supp

This option is only available in Coax SPC emulation and is used in LU3/DSC/DSE mode only.

- **Disable** (default). Treats nulls and spaces normally.
- **Enable**. If the entire line consists of spaces and nulls, the line will be discarded.

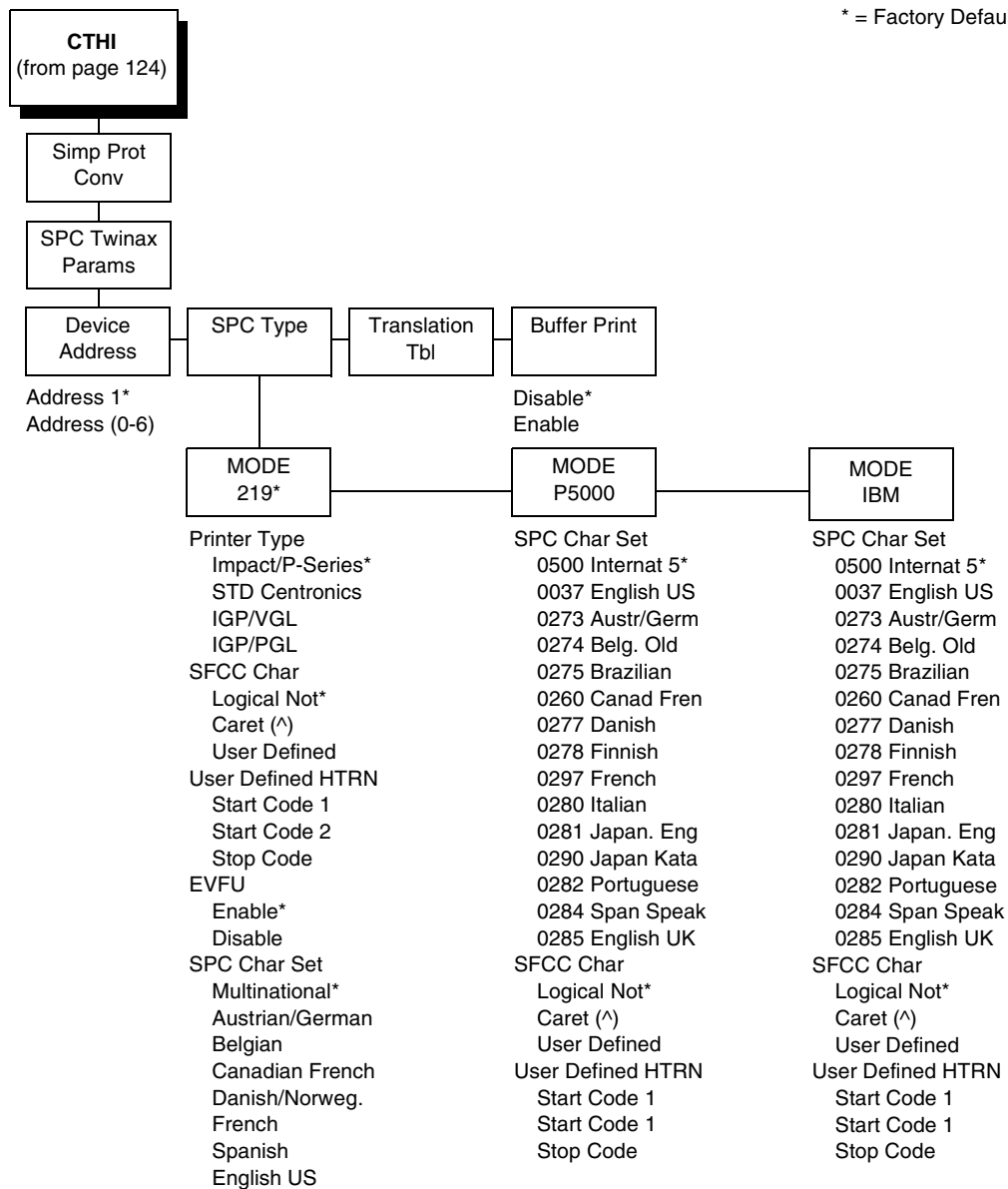
NL At MPP+1

Controls how many lines are skipped when the carriage returns to a new line.

- **On** (default). Moves to the first print position two lines down from the current position.
- **Off**. Moves to the first print position of the next print line.

SPC Twx Params

* = Factory Default



NOTE: To access the SPC Twinax Params menu, be sure to select the Twinax option in the Host Interface menu.

Device Address

Allows you to set the device address from 0 through 6. The host directs data and commands on the twinax line to a specific device based on its unique device address. After the address has been changed, a POR status is sent to the host.

SPC Type

Allows you to select a specific type of Simple Protocol Converter (SPC) Twinax emulation: MODE 219 for Model 219 protocol convertor, MODE P5000 for Printronix protocol convertor, and MODE IBM for the IBM protocol convertor.

Printer Type

Determines the SPC Twinax emulation "Mode." When set to Std Centronics, IGP/VGL, or IGP/PGL, the Set Line Density and Set Print Density commands are translated into a Carriage Return (CR), and vertical format commands are ignored unless the EVFU is enabled.

SFCC Char

Determines what character is printed when an EBCDIC Logical Not character ¬ (Hex 5F) is received from the host.

User Defined HTRN

This option is used in Twinax SPC emulation. The range is ASCII character. This option allows users to define their own lead-in characters for the Printronix Specific commands. Select a hex value for the following codes for the User Defined option:

- **Start Code 1**
- **Start Code 2**
- **Stop Code**

EVFU

- **Enable.** The EVFU parameter allows vertical format control by the host in all four printer type modes.
- **Disable.** Vertical format control is only allowed in IMPACT/P-SERIES mode.

SPC Char Set

Allows you to select the print language character set.

Translation Tbl

Prints out a table of the Twinax interface's current character set. This operation is valid only when the Twinax interface is selected.

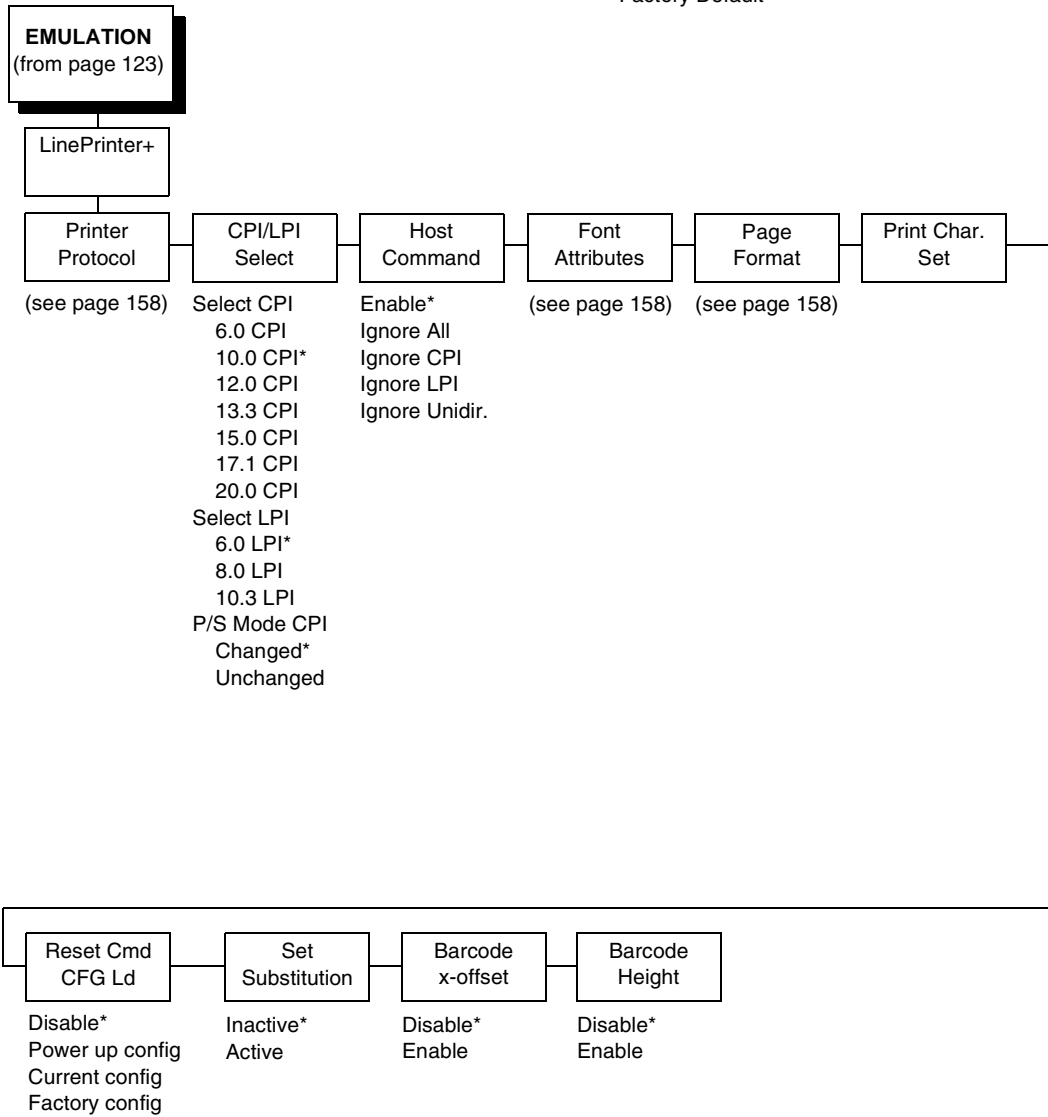
Buffer Print

- **Disable** (default). The printer will print normally.
- **Enable.** The printer prints the EBCDIC data and control codes received from the host as hex values. Refer to page 285 for information on how to obtain a hex code printout.

LinePrinter Plus Emulation

NOTE: When the printer is set to SPC Twx Params or SPC Coax Params, no LP+ menu items will take effect on the same offline. The LP+ Emulation resets when the printer is taken offline.

* = Factory Default

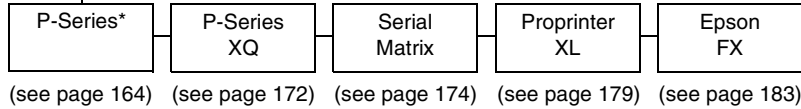


* = Factory Default

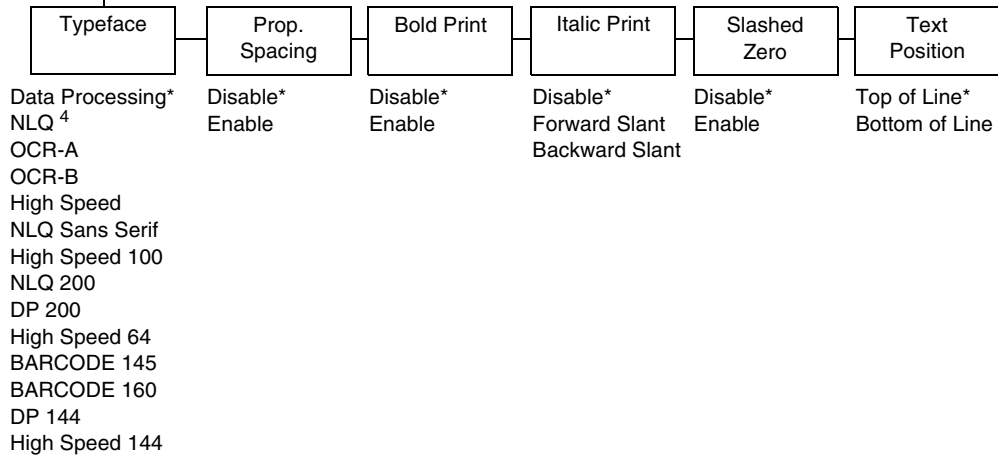
¹These menus do not appear if the Coax or Twinax host interface is selected. See page 87.

² This value is 132 if the Coax or Twinax host interface is selected.

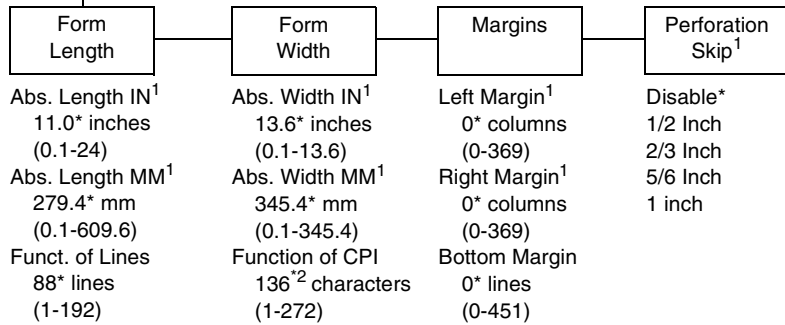
Printer Protocol
(from page 157)



Font Attributes
(from page 157)

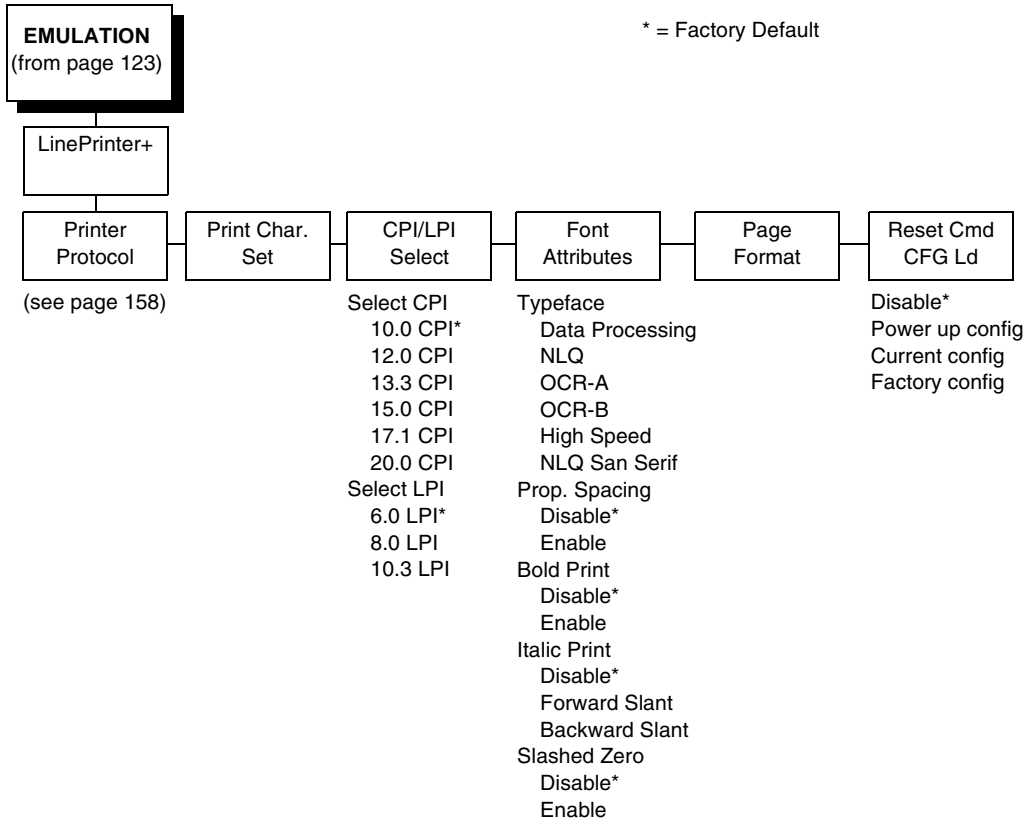


Page Format
(from page 157)



LinePrinter Plus Emulation (With PCL-II)

NOTE: When the printer is set to SPC Twx Params or SPC Coax Params, no LP+ menu items will take effect on the same offline. The LP+ Emulation resets when the printer is taken offline.



Printer Protocol

Select the LinePrinter+ protocol you wish to use. Refer to the *LinePrinter Plus Programmer's Reference Manual* for more information.

CPI/LPI Select

This parameter lets you specify the characters per inch (cpi) and lines per inch (lpi) values.

Host Command

This parameter allows you to block certain host commands from being acknowledged by the printer.

- **Enable** (default). All host commands are acknowledged by the printer.
- **Ignore All**. All host commands are ignored by the printer.
- **Ignore CPI**. All CPI commands sent by the host are ignored by the printer.
- **Ignore LPI**. All LPI commands sent by the host are ignored by the printer.
- **Ignore Unidir**. All Unidirectional commands sent by the host are ignored by the printer.

Font Attributes

Typeface

- **Data Processing** (default). A general purpose font printing out at 120 dpi horizontally and 72 dpi vertically. The width of the font will vary with each cpi.
- **NLQ**. A high quality font printing at 180 dpi horizontally and 96 dpi vertically. This font has serifs and the width of the font varies with the cpi.
- **OCR-A / OCR-B**. Optical character recognition fonts printing at 120 dpi horizontally and 144 dpi vertically. Both fonts print only at 10 cpi.
- **High Speed**. A draft quality font printing at 120 dpi horizontally and 48 dpi vertically. The width of the font varies with the cpi.
- **NLQ Sans Serif**. A high quality font printing at 180 dpi horizontally and 96 dpi vertically. This font prints without serifs. The width of the font varies with the cpi.
- **High Speed 100**. A draft quality font printing at 100 dpi horizontally and 48 dpi vertically. When chosen from the front panel, it defaults to 10 cpi. The cpi can then be varied, but the width will not change.
- **NLQ 200**. This NLQ font prints at 200 dpi horizontally and 96 vertically. When chosen from the front panel, it defaults to 12 cpi. The cpi can then be varied, but the width will not change.
- **DP 200**. This Data Processing font prints at 200 dpi horizontally and 72 vertically. When chosen from the front panel, it defaults to 12 cpi. The cpi can then be varied, but the width will not change.
- **High Speed 64**. This font prints at 120 dpi horizontally and 64 vertically. When chosen from the front panel, it defaults to 10 cpi. The cpi can then be varied, but the width will not change.
- **BARCODE 145**. This Data Processing font prints at 145 dpi horizontally and 72 vertically. When chosen from the front panel, it defaults to 12 cpi. The cpi can then be varied, but the width will not change.
- **BARCODE 160**. This Data Processing font prints at 160 dpi horizontally and 72 vertically. When chosen from the front panel, it defaults to 13 cpi. The cpi can then be varied, but the width will not change.

Prop. Spacing (Proportional Spacing)

Each printed character is contained inside a character cell. The width of the character cell includes the character and the space around the character.

- **Disable** (default). Each character cell is printed with the same width. Each column in the printed text will line up.

```
This example is printed with  
proportional spacing disabled.
```

- **Enable**. The width of each character cell varies with the width of the character. For example, [i] takes less space to print than [m]. Using proportional fonts generally increases the readability of printed documents, which gives text a typeset appearance.

```
This example is printed with  
proportional spacing enabled.
```

Bold Print

- **Disable** (default). Text is printed normally.
- **Enable**. Text is printed with a heavy line thickness.

Italic Print

- **Disable** (default). Text is printed normally.
- **Forward Slant**. Text is printed with a forward slant.
- **Backward Slant**. Text is printed with a backward slant.

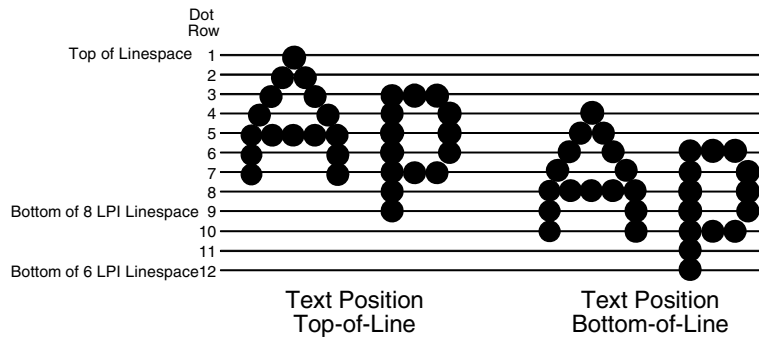
Slashed Zero

This parameter allows you to print the numeral “0” with or without the slash. This option applies to all character sets except OCR-A and OCR-B.

- **Disable** (default). Zero is printed without a slash.
- **Enable**. Zero is printed with a slash.

Text Position

Specifies where the text will be positioned in the line space. When set to Top-of-Line, text will be positioned at the top of the line space. When set to Bottom-of-Line, the text will be positioned as if it were at the bottom of a 6 lpi line space. The following example shows both Top-of-Line and Bottom-of-Line text positions:



Page Format

Form Length

Form length is the number of lines that can be printed on a page. You can set the form length in inches, millimeters (mm), or as a function of the current lpi (lines per inch).

Form Width

The form width can be specified in inches, millimeters, or as a function of the current cpi (characters per inch). The form width set should not exceed the actual paper width.

Margins

- **Left Margin.** Set in columns. Column zero is defined as the far left edge of the page, and column numbering increments from left to right.
- **Right Margin.** Set in columns. Column zero is defined as the far right edge of the page, and column numbering increments from right to left.
- **Bottom Margin.** Defined in lines, starting from line zero at the bottom of the page and incrementing from the bottom up.

Perforation Skip

- **Disable** (default). Allows printing on page perforation.
- **1/2 inch, 2/3 inch, 5/6 inch, 1 inch.** You may set up a skip-over margin of 1/2 inch, 2/3 inch, 5/6 inch, or 1 inch. For example, a skip-over margin of 1 inch allows a 1 inch margin at the bottom of the page.

Print Char. Set

When this selection is displayed and the ENTER key is pressed, the current character set is printed.

Reset Cmd CFG Ld

When the printer receives a host data stream reset command (ESC @ or ESC[K) in addition to resetting printer variables, the selected configuration is loaded.

- **Disable** (default). The active emulation parameters are loaded when the reset command is executed.
- **Power-Up Config**. The power-up configuration is loaded when the reset command is executed.
- **Current Config**. The currently selected configuration is loaded when the reset command is executed.
- **Factory Config**. The factory installed configuration is loaded when the reset command is executed.

Set Substitution

When this option is activated, the character set overlay in RAM is activated. This can also be accomplished through a host command of **SFCC RX**. In either case, a flag is set indicating that the substitution table is active. If the power-up configuration has Ld Set at Pwrup and Set Substitution both enabled, the character set overlay is automatically activated at power-up or during a soft reset. See the *LinePrinter Plus Programmer's Reference Manual* for more information.

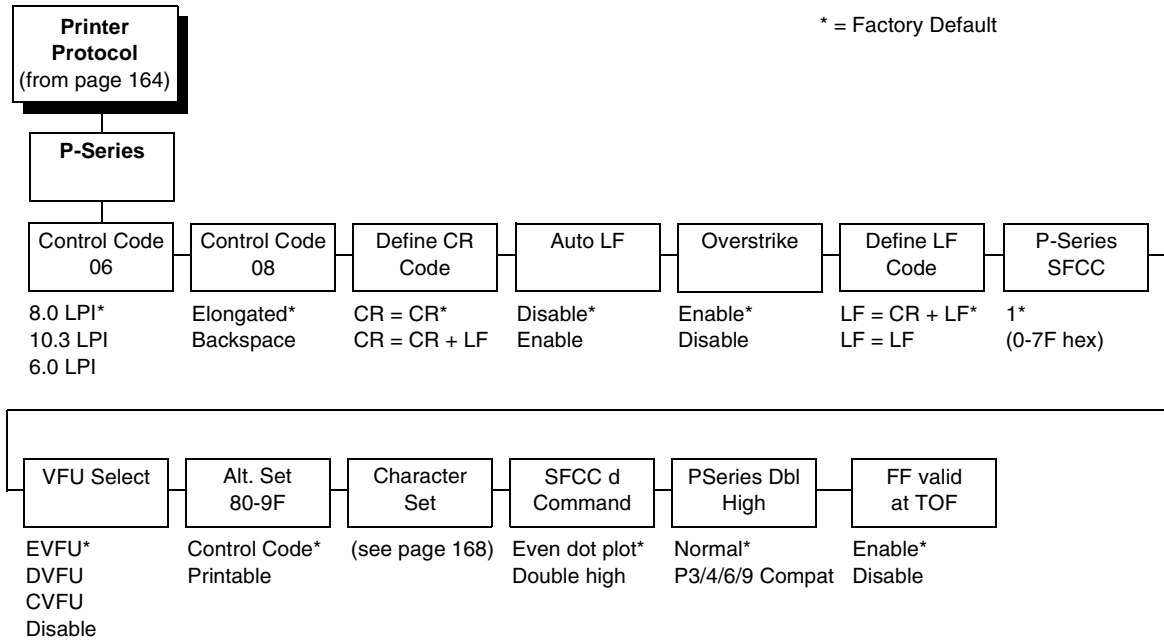
Barcode x-offset

- **Disable** (default)
- **Enable**. Allows text to print next to a barcode when xxxx and yyyy are not set to the origin.

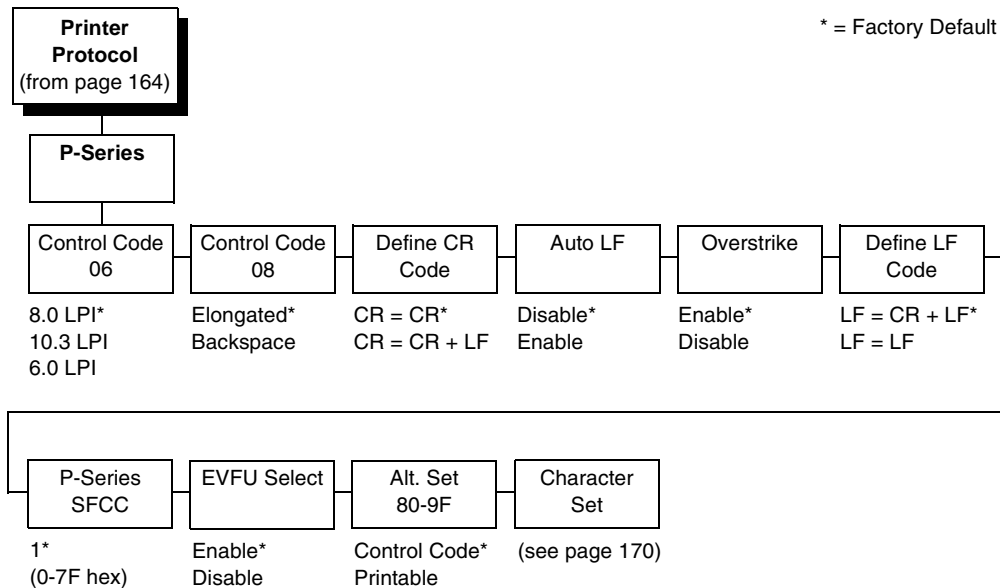
Barcode Height

- **Disable** (default)
- **Enable**. If Barcode x-offset is enabled, the barcode height follows P5000 legacy barcode behavior.

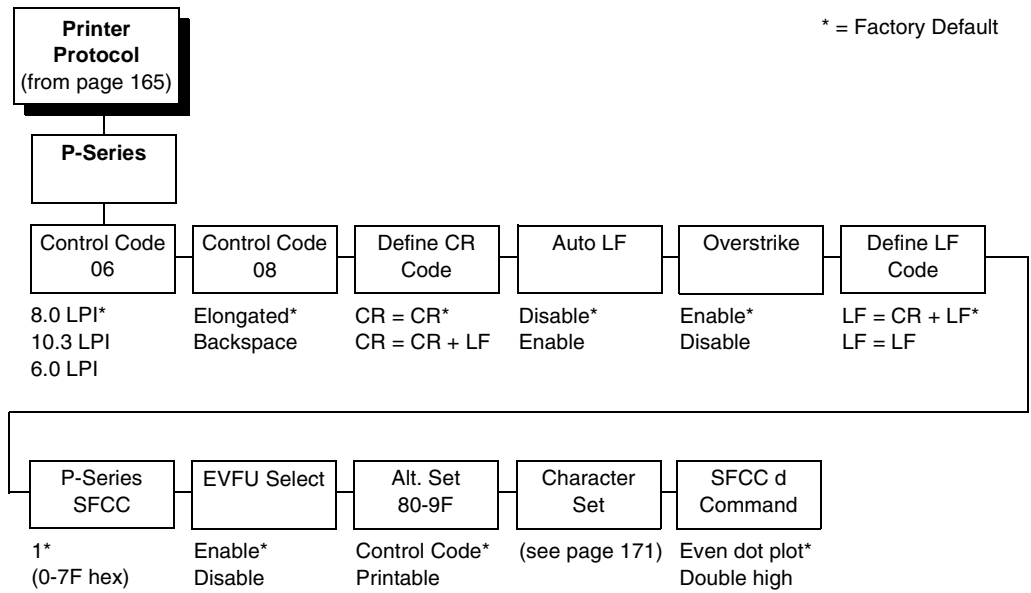
P-Series Emulation



P-Series Emulation (with PCL-II)



P-Series Emulation (With LG)



Control Code 06

Control Code 06 defines the function of ASCII code hex 06 (ACK). You can select an alternate line spacing of 6, 8, or 10.3 LPI.

Control Code 08

Control Code 08 defines the function of ASCII code hex 08 (BS). You can define the code to output the following character:

- **Elongated** (default).
- **Backspace**.

Define CR Code

This option controls the action of the printer when it receives a Carriage Return code (hex 0D) from the host computer. If this feature is enabled, each time the printer receives a carriage return, it inserts an additional Line Feed code (hex 0A) into the data stream. Do not use this feature if the host computer sends Line feeds to the printer.

- **CR = CR** (default). Does not insert an extra line feed after each carriage return.
- **CR = CR + LF**. Inserts an extra line feed after each carriage return. The next print position will be print position 1 of the next line.

Auto LF

This option defines the printer action when print data is received past the forms width setting.

- **Disable** (default). Discards any data past the forms width.
- **Enable**. Performs an automatic carriage return and line feed when data is received past the forms width, causing the excess text to print on the next line.

Overstrike

This option enables you to print bold characters.

- **Enable** (disable). Turns on bold print. When enabled, overstrike printing slows down the printer.
- **Disable**. Turns off bold print.

Define LF Code

- **LF = CR + LF** (default). Forces an automatic carriage return with each line feed command. The next print position is print position 1 of the next line.
- **LF = LF**. Does not perform an automatic carriage return. The next print position will be the current print position of the next line.

P-Series SFCC

This parameter allows you to select which ASCII codes will function as the Special Function Control Code (SFCC) command delimiter. P-Series codes can use hex 00 through hex 7F. Options include the following:

- ESC (hex 1B)
- SOH (hex 01)
- ETX (hex 03)
- CIRCUMFLEX (hex 5E)—also called caret (^)
- TILDE (hex 7E)—(~)

NOTE: SOH, ETX, and ESC are non-printables. The characters (^) and (~) are printable; however, do not use them as printables in the host data stream if either is chosen as a delimiter because print errors will occur.

VFU Select

Controls how the printer handles vertical formatting.

- **EVFU** (default). Enables the VFU and selects P-Series compatible Electronic Vertical Format Unit (EVFU).
- **DVFU**. Enables the VFU and selects the Dataproducts compatible Direct Access Vertical Format Unit (DVFU).
- **CVFU**. Enables the VFU and selects the Centronics compatible Direct Access Vertical Format Unit (CVFU).
- **Disable**. Disables all VFU processing.

Alt. Set 80-9F

Determines whether the printer processes ASCII codes hex 80 through hex 9F as control codes or as printable characters. The options include:

- **Control Code** (default)
- **Printable**.

Character Set

Specifies a character set as shown in the Π-Σεριεσ Χηαραχτερ Σετ Μενυ ον παγε 168. To use one of these sets, choose the desired group heading (such as European Sets) and press ENTER. Then choose the desired set within that group (such as Roman 8) and press ENTER. Both the group and the desired set will be starred to indicate your selection. The UTF-8 selection allows printing of UTF-8 encoded Unicode™. Character sets are shown in detail in the *Character Sets Reference Manual*.

SFCC d Command

- **Even dot plot** (default). This option interprets SFCC d Command as even dot plot.
- **Double High**. This option interprets SFCC d Command as double high. Select this option for backward compatibility.

PSeries Dbl High

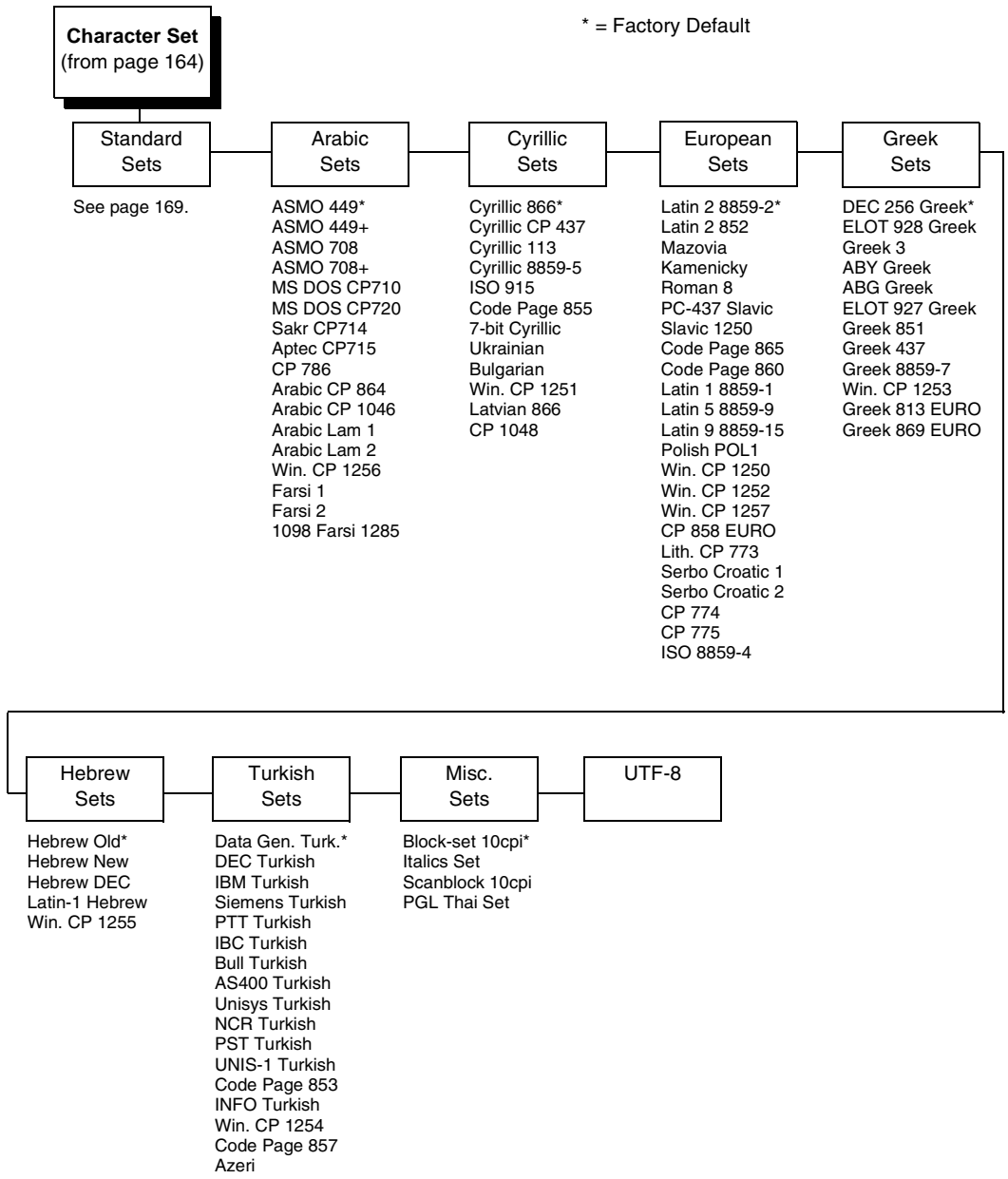
Allows printing compatibility between current and older model printers.

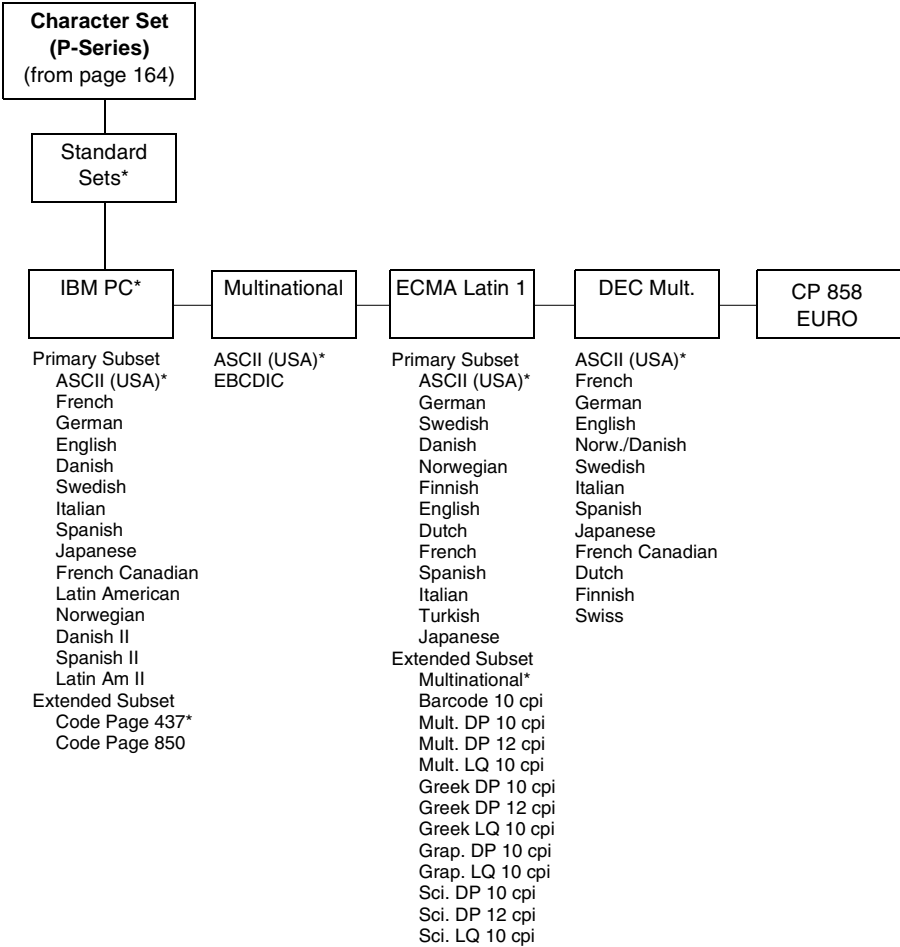
- **Normal** (default). This is normal, double-high printing for current model printers.
- **P3/4/6/9 Compat**. Where older printers print two dot rows higher, this option allows for compatibility by raising the print two dot rows to match the current models dot row value (two dot rows lower).

FF Valid at TOF

- **Enable** (default). Performs a form feed when the host sends a Form Feed command and the printer is at the top of form.
- **Disable**. Will not perform a form feed when the host sends a Form Feed command and the printer is at the top of form.

P-Series Character Set Menu





P-Series Character Set Menu (with PCL-II)

* = Factory Default

Character Set
(from page 164)

IBM PC*
 Primary Subset
 ASCII (USA)*
 French
 German
 English
 Danish
 Swedish
 Italian
 Spanish
 Japanese
 French Canadian
 Latin American
 Danish II
 Spanish II
 Latin Am II
 Extended Subset
 Code Page 437*
 Code Page 850
 Extended Subset
Multinational
 ASCII (USA)*
 EBCDIC
ECMA Latin 1
DEC Mult.
OCR-A
OCR-B
Latin 2 8859-2
Latin 2 852
Bulgarian
Latin 9 8859-15
Polish POL1
DEC 256 Greek
ELOT 928 Greek
Greek 3
ABY Greek
ABG Greek
ELOT 927 Greek
Greek 437
Greek 8859-7
PC851 LtGk [12G]
Greek-7 [12N]
Greek-8 [8G]
Hebrew Old
Hebrew New
Hebrew DEC

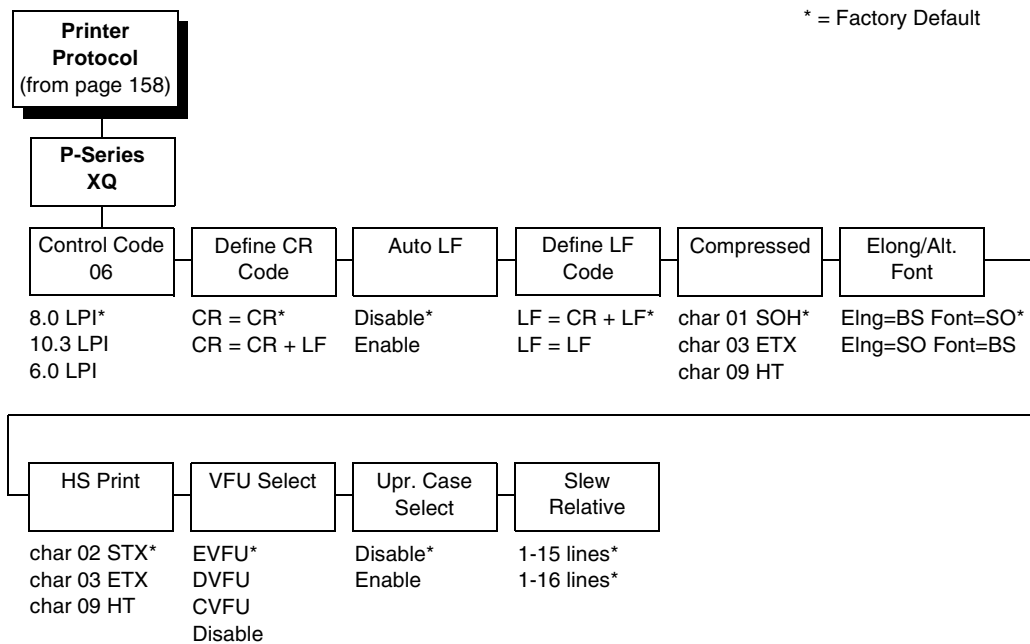
P-Series Character Set Menu (with LG)

Character Set
(from page 165)

* = Factory Default

IBM PC*	DEC Mult.
Primary Subset	ASCII (USA)*
ASCII (USA)*	French
French	German
German	English
English	Norw./Danish
Danish	Swedish
Swedish	Italian
Italian	Spanish
Spanish	Japanese
Japanese	French Canadian
French Canadian	Dutch
Latin American	Finnish
Danish II	Swiss
Spanish II	OCR-A
Latin Am II	OCR-B
Extended Subset	Latin 9 8859-15
Code Page 437	CP 858 Euro
Code Page 850	
Multinational	
ASCII (USA)*	
EBCDIC	
ECMA Latin 1	
Primary Subset	
ASCII (USA)*	
German	
Swedish	
Danish	
Norwegian	
Finnish	
English	
Dutch	
French	
Spanish	
Italian	
Turkish	
Japanese	
Extended Subset	
Multinational*	
Barcode 10 CPI	
Mult. DP 10 CPI	
Mult. DP 12 CPI	
Mult. LQ 10 CPI	
Greek DP 10 CPI	
Greek DP 12 CPI	
Greek LQ 10 CPI	
Grap. DP 10 CPI	
Grap. LQ 10 CPI	
Sci. DP 10 CPI	
Sci. DP 12 CPI	
Sci. LQ 10 CPI	

P-Series XQ Emulation



Control Code 06

Control Code 06 defines the function of ASCII code hex 06 (ACK). You can select an alternate line spacing of 6, 8, or 10.3 LPI.

Define CR Code

This option controls the action of the printer when it receives a Carriage Return code (hex 0D) from the host computer. If this feature is enabled, each time the printer receives a Carriage Return, it inserts an additional Line Feed code (hex 0A) into the data stream. Do not use this feature if the host computer sends line feeds to the printer.

- **CR = CR** (default). Does not insert an extra line feed after each carriage return.
- **CR = CR + LF**. Inserts an extra line feed after each carriage return. The next print position will be print position 1 of the next line.

Auto LF

This option defines the printer action when print data is received past the forms width setting.

- **Disable** (default). Discards any data past the forms width.
- **Enable**. Performs an automatic carriage return and line feed when data is received past the forms width.

Define LF Code

- **LF = CR + LF** (default). Forces an automatic carriage return with each line feed command received. The next print position is print position 1 of the next line.
- **LF = LF**. Does not perform an automatic carriage return when a line feed command is received. The next print position will be the current print position of the next line.

Compressed Print

Controls which host command sets compressed printing.

- **Char 01 SOH** (default)
- **Char 03 ETX**
- **Char 09 HT**

Elong/Alt. Font

Controls which host command sets elongated (double high) fonts and extended character set.

- **EIng=BS Font=SO** (default)
- **EIng=SO Font=BS**

HS Print (High Speed Print)

Controls which host command sets high speed printing.

- **Char 02 STX** (default)
- **Char 03 ETX**
- **Char 09 HT**

VFU Select

Controls how the printer handles vertical formatting. The choices are:

- **EVFU** (default). Enables the VFU and selects P-Series compatible Electronic Vertical Format Unit (EVFU).
- **DVFU**. Enables the VFU and selects the Dataproducts compatible Direct Access Vertical Format Unit (DVFU).
- **CVFU**. Enables the VFU and selects the Centronics compatible Direct Access Vertical Format Unit (CVFU).
- **Disable**. Disables all VFU processing.

Upr. Case Select

Controls how the printer handles lowercase characters it receives from the host computer. When enabled, all characters will be printed in uppercase.

- **Disable** (default). Prints lowercase characters received from the host computer as lowercase, and prints uppercase characters received from the computer as uppercase.
- **Enable**. Prints lowercase characters received from the host computer as their corresponding uppercase equivalents; uppercase characters received from the computer print as uppercase.

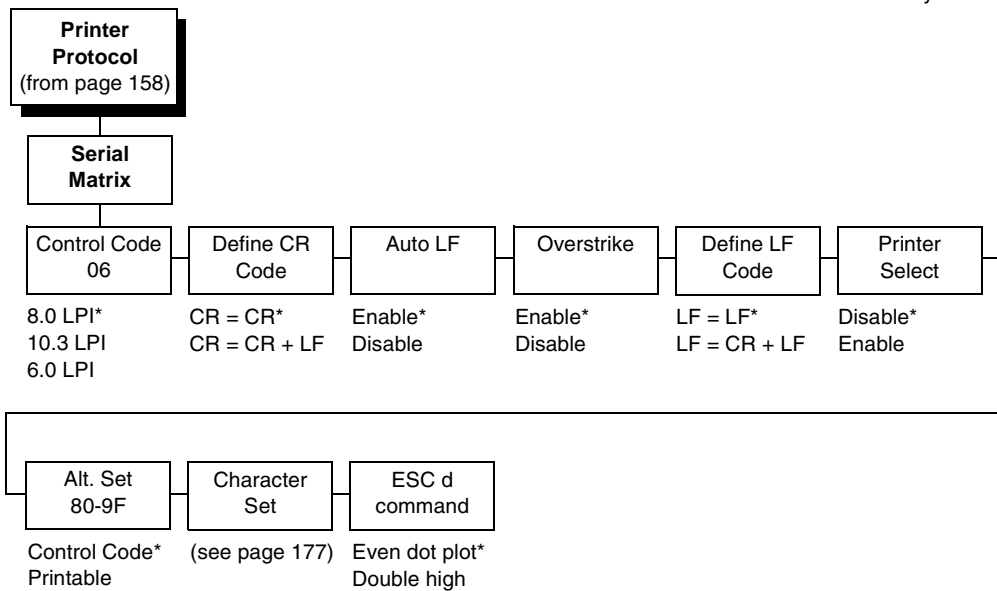
Slew Relative

“Slewing” is rapid vertical paper movement. This parameter determines the number of lines slewed (either 1-15 lines or 1-16 lines) when an EVFU Slew Relative command is received. The options include:

- **1-15 Lines** (default)
- **1-16 Lines**

Serial Matrix Emulation

* = Factory Default



Control Code 06

Control Code 06 defines the function of ASCII code hex 06 (ACK). You can select an alternate line spacing of 6, 8, or 10.3 LPI.

Define CR Code

This option controls the action of the printer when it receives a Carriage Return code (hex 0D) from the host computer. If this feature is enabled, each time the printer receives a Carriage Return, it inserts an additional Line Feed code (hex 0A) into the data stream. Do not use this feature if the host computer sends line feeds to the printer.

- **CR = CR** (default). Does not insert an extra line feed after each carriage return.
- **CR = CR + LF**. Inserts an extra line feed after each carriage return. The next print position will be print position 1 of the next line.

Auto LF

The Auto LF option defines the printer action when print data is received past the forms width setting.

- **Enable** (default). Performs an automatic carriage return and line feed when data is received past the forms width.
- **Disable**. Discards any data past the forms width.

Overstrike

This option enables you to print bold characters.

- **Enable** (default). Turns on bold print. When enabled, overstrike printing slows down the printer.
- **Disable**. Turns off bold print.

Define LF Code

- **LF = LF** (default). Does not perform an automatic carriage return when a line feed command is received. The next print position will be the current print position of the next line.
- **LF = CR + LF**. Forces an automatic carriage return with each line feed command received. The next print position is print position 1 of the next line.

Printer Select

- **Disable** (default). Ignores the ASCII DC1 and DC3 control codes.
- **Enable**. Disables the printer when a DC1 control code is received, and enables the printer when a DC3 control code is received.

Alt. Set 80-9F

- **Control Code** (default). Interprets data in the range of hex 80 through hex 9F as a control code.
- **Printable**. Prints data in the range of hex 80 through hex 9F.

Character Set

Specifies a character set as shown in the *Σεριαλ Ματριξ Χηαραχτερ Σετ Μενυ* *ον παγε 177*. To use one of these sets, choose the desired group heading (such as European Sets) and press ENTER. Then choose the desired set within that group (such as Roman 8) and press ENTER. Both the group and the desired set will be starred to indicate your selection. Character sets are shown in detail in the *Character Sets Reference Manual*.

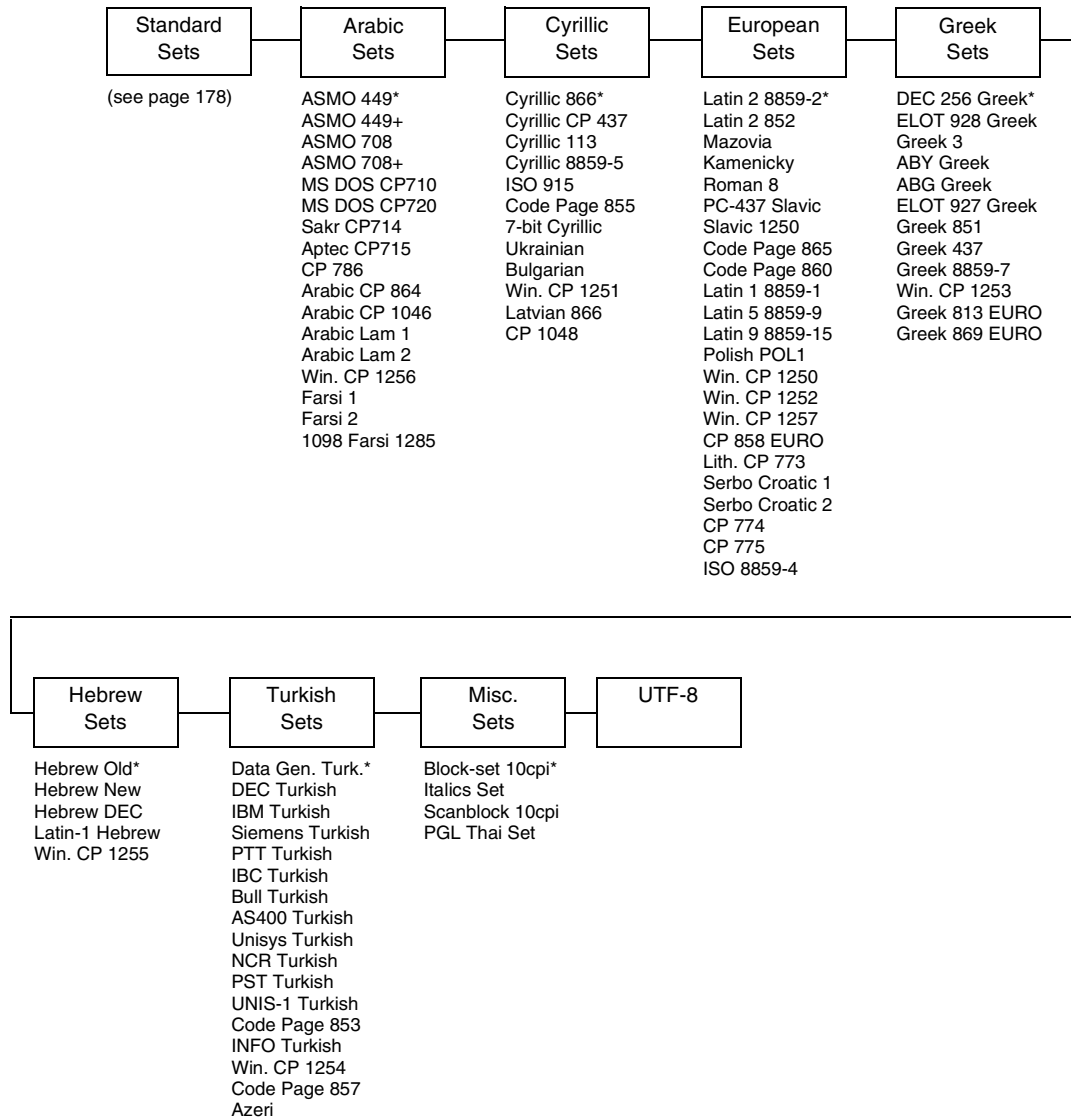
ESC d command

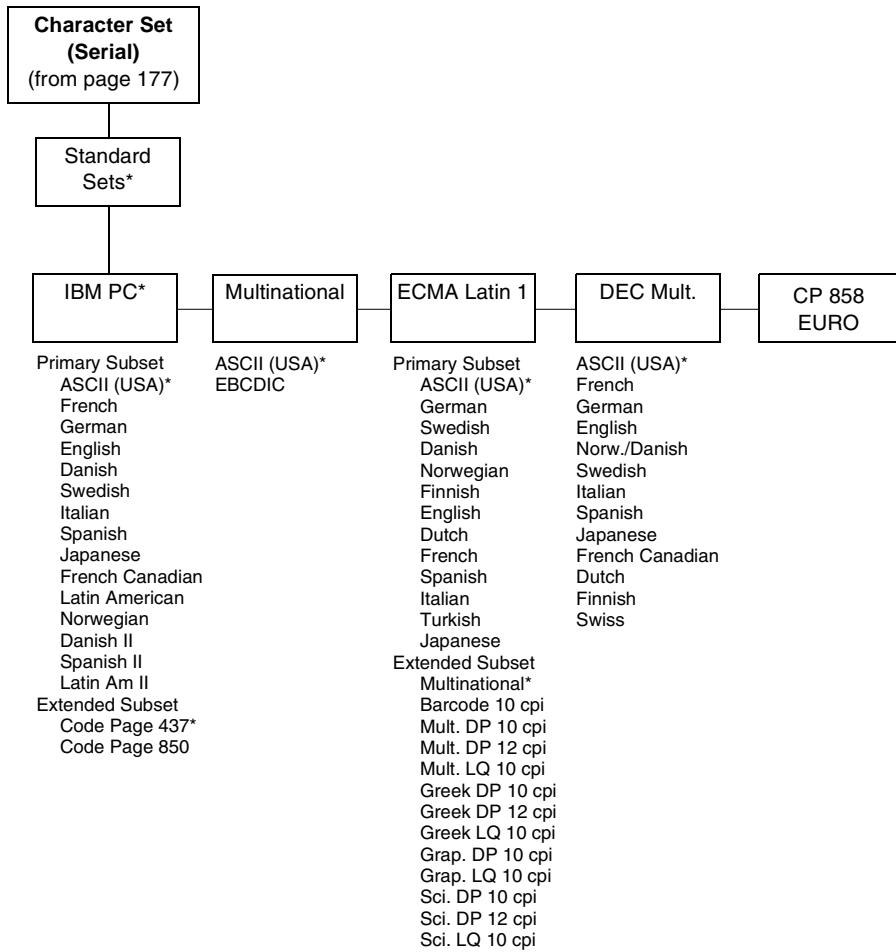
- **Even dot plot** (default). Interprets the ESC d command as even dot plot.
- **Double high**. Interprets the ESC d Command as double high. Select this option for backward compatibility.

Serial Matrix Character Set Menu

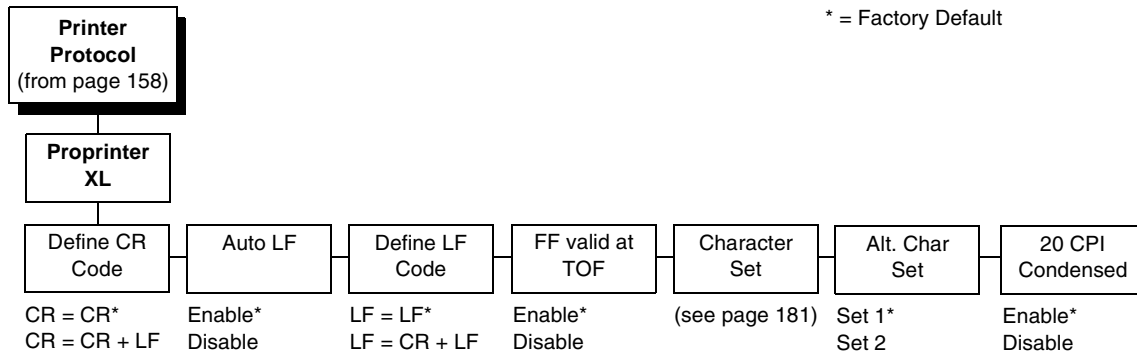
Character Set
(from page 174)

* = Factory Default





Proprinter XL Emulation



Define CR Code

This option controls the action of the printer when it receives a Carriage Return code (hex 0D) from the host computer. If this feature is enabled, each time the printer receives a Carriage Return, it inserts an additional Line Feed code (hex 0A) into the data stream. Do not use this feature if the host computer sends line feeds to the printer.

- **CR = CR** (default). Does not insert an extra line feed after each carriage return.
- **CR = CR + LF**. Inserts an extra line feed after each carriage return.

Auto LF

This option defines the printer action when print data is received past the forms width setting.

- **Enable** (default). Performs an automatic carriage return and line feed when data is received past the forms width.
- **Disable**. Discards any data past the forms width.

Define LF Code

- **LF = LF** (default). Does not perform an automatic carriage return when a Line Feed command is received. The next print position will be the current print position of the next line.
- **LF = CR + LF**. Forces an automatic carriage return with each Line Feed command received. The next print position is print position 1 of the next line.

FF Valid at TOF

- **Enable** (default). Performs a form feed when the host sends a Form Feed command and the printer is at the top of form.
- **Disable**. Will not perform a form feed when the host sends a Form Feed command and the printer is at the top of form.

Character Set

Specifies a character set as shown in the Προπριντερ ΞΛ Χηαραχτερ Σετς Μενυ ον παγε 181. To use one of these sets, choose the desired group heading (such as European Sets) and press ENTER. Then choose the desired set within that group (such as Roman 8) and press ENTER. Both the group and the desired set will be starred to indicate your selection. The UTF-8 selection allows printing of UTF-8 encoded Unicode™. Character sets are shown in detail in the *Character Sets Reference Manual*.

Alt. Char Set

This option determines if data in the range of hex 80 through hex 9F should be interpreted as a control code or as a printable character.

- **Set 1** (default). Interprets data in the range of hex 80 through hex 9F as a control code.
- **Set 2**. Prints data for the characters at hex locations 03, 04, 05, 06, 15, and 80 through 9F.

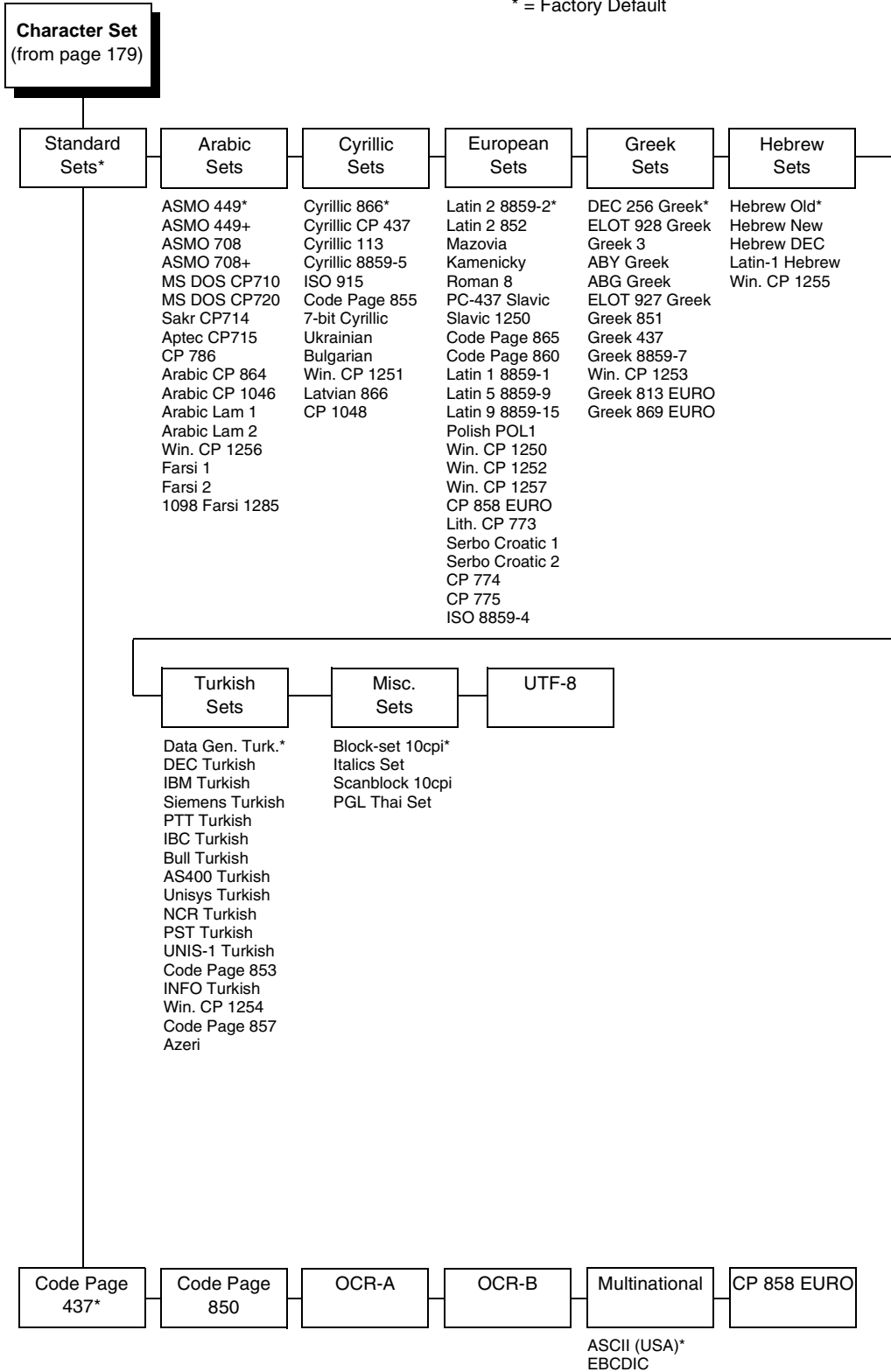
20 CPI Condensed

Compressed print characters are narrower than the normal character set. This is helpful for applications where you need to print the maximum amount of information on a page.

- **Enable** (default). Prints characters about 60 percent the width of normal characters when compressed print is chosen by the host computer.
- **Disable**. Does not compress print widths, even if condensed print is chosen by the host.

Proprinter XL Character Sets Menu

* = Factory Default



Proprinter XL Character Sets Menu (with PCL-II)

Character Set
(from page 179)

* = Factory Default

Code Page 437*
Code Page 850
OCR-A
OCR-B
Latin 2 8859-2
Latin 2 852
Bulgarian
Latin 9 8859-15
Polish POL1
Multinational
DEC 256 Greek
ELOT 928 Greek
Greek 3
ABY Greek
ABG Greek
ELOT 927 Greek
Greek 437
Greek 8859-7
PC851 LtGk [12G]
Greek-7 [12N]
Greek-8 [8G]
Hebrew Old
Hebrew New
Hebrew DEC

Proprinter XL Character Sets Menu (with LG)

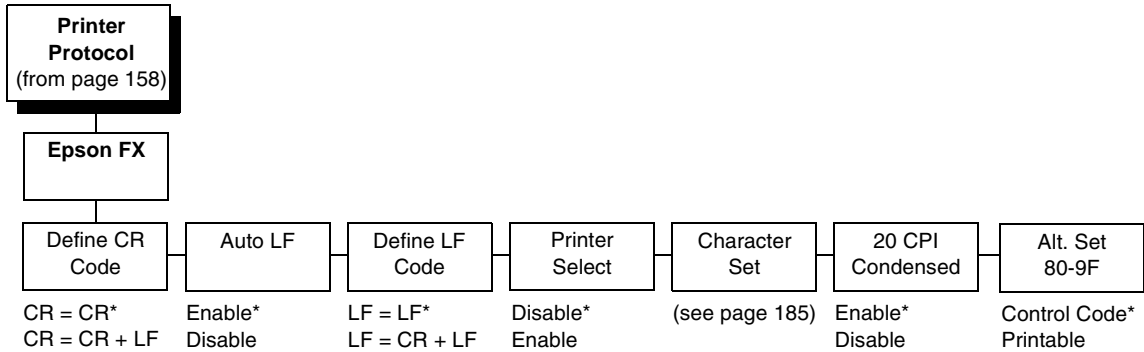
Character Set
(from page 179)

* = Factory Default

Code Page 437*
Code Page 850
OCR-A
OCR-B
Code Page 210
Code Page 220
Code Page 852
Code Page 855
Code Page 857
Code Page 862
Code Page 866
Lithuanian 1
Lithuanian 2
Hebrew New
Hebrew Dec
Hebrew Old
Latin 9 8859-15
CP 858 Euro

Epson FX Emulation

* = Factory Default



Define CR Code

The Define CR Code option controls the action of the printer when it receives a Carriage Return code (hex 0D) from the host computer. If this feature is enabled, each time the printer receives a carriage return, it inserts an additional Line Feed code (hex 0A) into the data stream. Do not use this feature if the host computer sends line feeds to the printer.

- **CR = CR** (default). Does not insert an extra line feed after each carriage return.
- **CR = CR + LF**. Inserts an extra line feed after each carriage return.

Auto LF

This option defines the printer actions when print data is received past the forms width setting.

- **Enable** (default). Performs an automatic carriage return and line feed when data is received past the forms width.
- **Disable**. Discards any data past the forms width.

Define LF Code

The Define LF Code option controls the action of the printer when it receives a Line Feed code (hex 0A) from the host computer. If this feature is enabled, each time the printer receives a Line Feed, it inserts an additional Carriage Return code (hex 0D) into the data stream. This feature is required if the host computer does not send carriage returns to the printer.

- **LF = LF** (default). Does not add a carriage return with a line feed.
- **LF = CR + LF**. Adds an extra carriage return with each line feed.

Printer Select

- **Disable** (default). Ignores the ASCII DC1 and DC3 control codes.
- **Enable**. Disables the printer when a DC1 control code is received, and enables the printer when a DC3 control code is received.

Character Set

This parameter selects a character set for the Epson emulation, as shown in the Επσον ΦΞ Χηαραχτερ Σετ Μενυ ον παγε 185.

NOTE: When OCR-A or OCR-B is selected as the print language, the Font Attribute Typeface option under the LinePrinter Plus menu (page 157) is changed to OCR-A or OCR-B, respectively.

To use one of these sets, choose the desired group heading (such as European Sets) and press ENTER. Then choose the desired set within that group (such as Roman 8) and press ENTER. Both the group and the desired set will be starred to indicate your selection. The UTF-8 selection allows printing of UTF-8 encoded Unicode™. Character sets are shown in detail in the *Character Sets Reference Manual*.

20 CPI Condensed

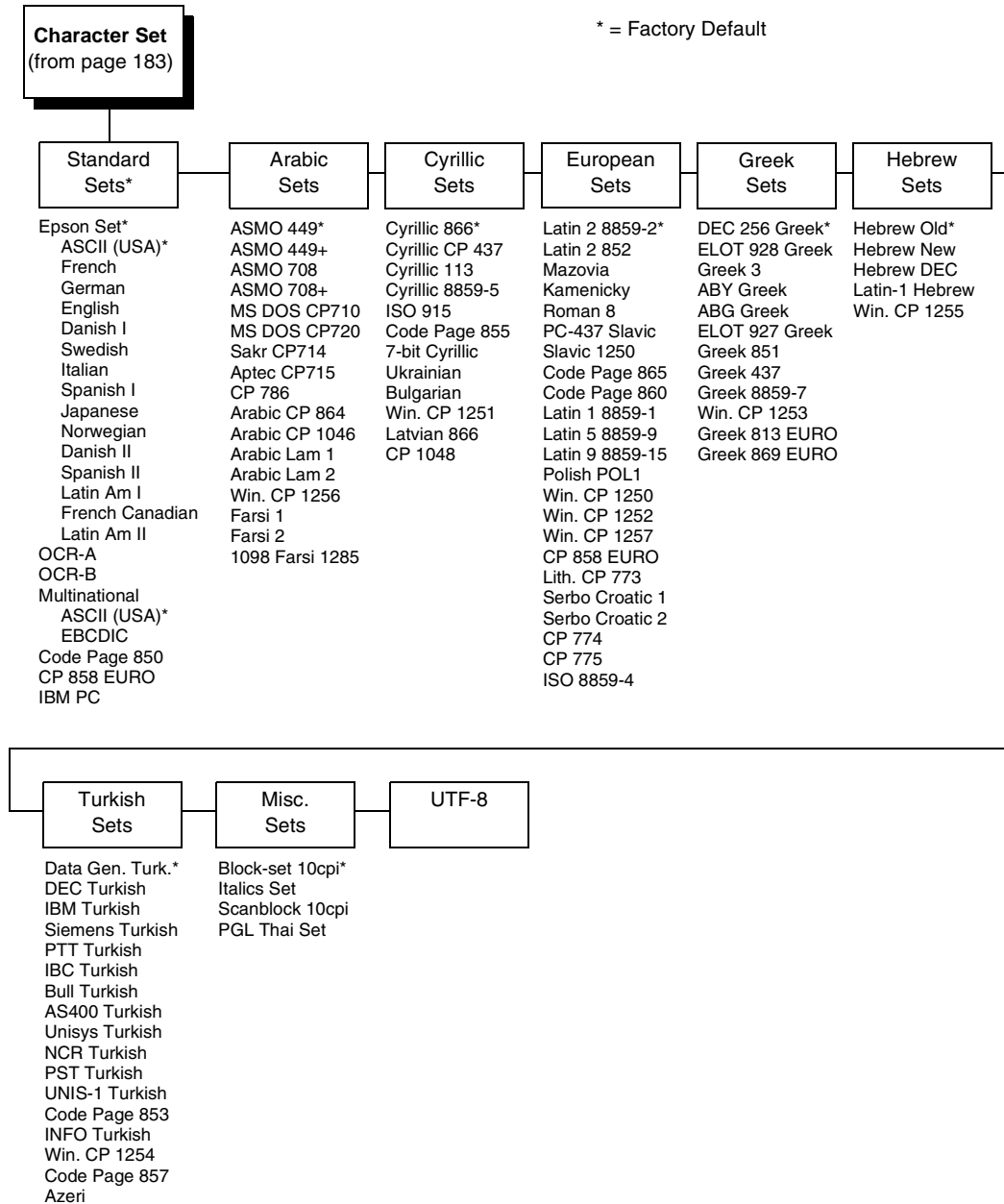
Compressed print characters are narrower than the normal character set. This is helpful for applications where you need to print the maximum amount of information on a page.

- **Enable** (default). Prints about 60 percent of the width of normal characters when compressed print is chosen by the host computer. For example, a 12 CPI Draft font will compress to 20 CPI.
- **Disable**. Does not compress print widths, even if condensed print is chosen by the host.

Alt. Set 80-9F

- **Control Code** (default). Interprets data in the range of hex 80 through hex 9F as a control code.
- **Printable**. Prints data in the range of hex 80 through hex 9F.

Epson FX Character Set Menu



Epson FX Character Set Menu (with PCL-II)

* Factory Default

Character Set
(from page 183)

Epson Set*
ASCII (USA)*
French
German
English
Danish I
Swedish
Italian
Spanish I
Japanese
Norwegian
Danish II
Spanish II
Latin Am I
French Canadian
Latin Am II
OCR-A
OCR-B
Latin 8859-2
Latin 2 852
Cyrillic 866
Bulgarian
Latin 9 8859-15
Polish POL1
Multinational
ASCII (USA)*
EBCDIC
DEC 256 Greek
ELOT 928 Greek
Greek 3
ABY Greek
ABG Greek
ELOT 927 Greek
Greek 437
Greek 8859-7
PC851 LtGk [12G]
Greek-7 [12N]
Greek-8 [8G]
Hebrew Old
Hebrew New
Hebrew DEC
IBM PC

Epson FX Character Set Menu (with LG)

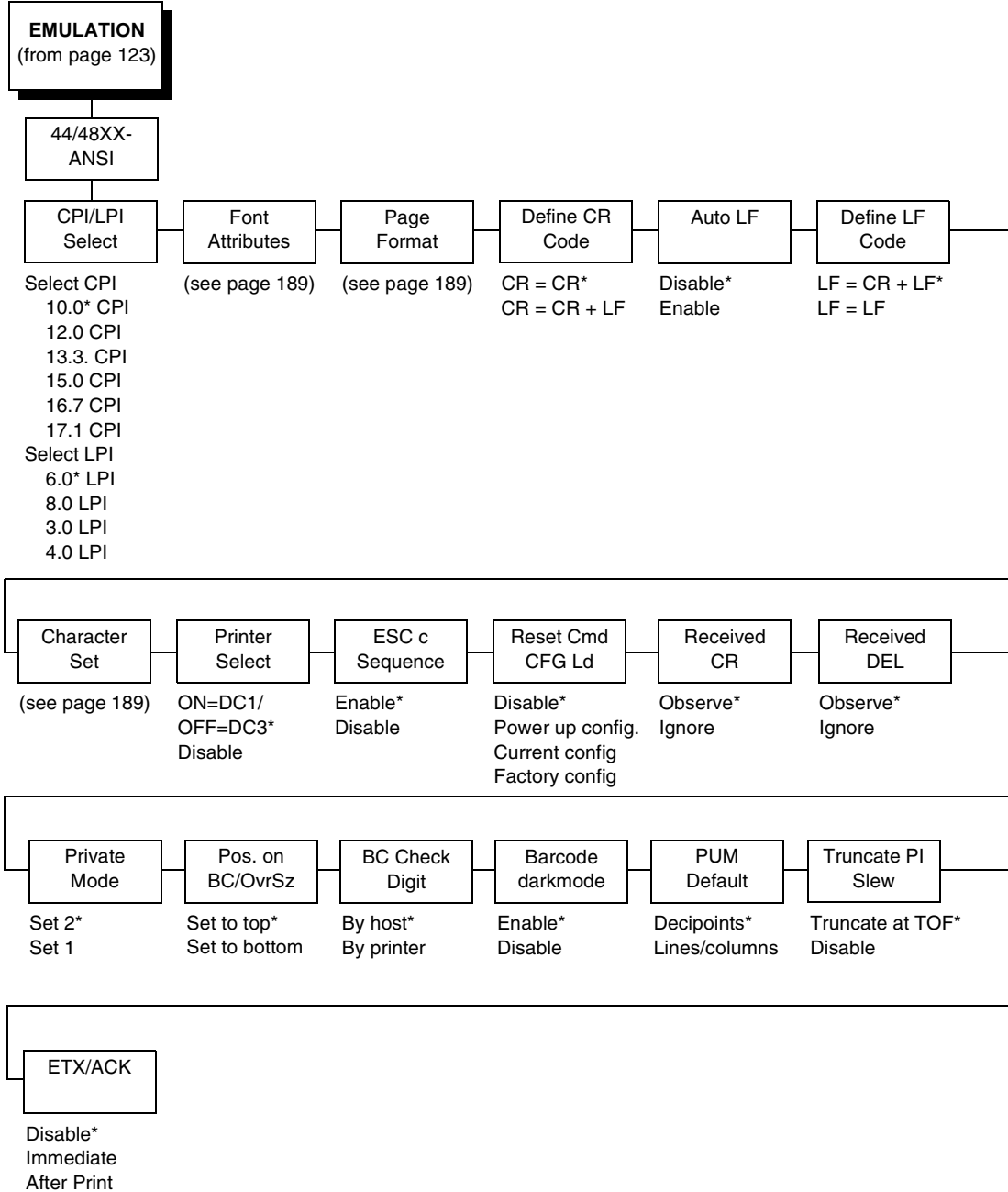
* Factory Default

Character Set
(from page 183)

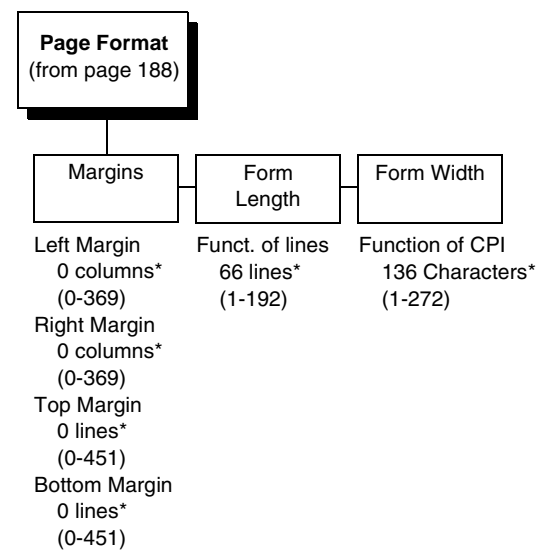
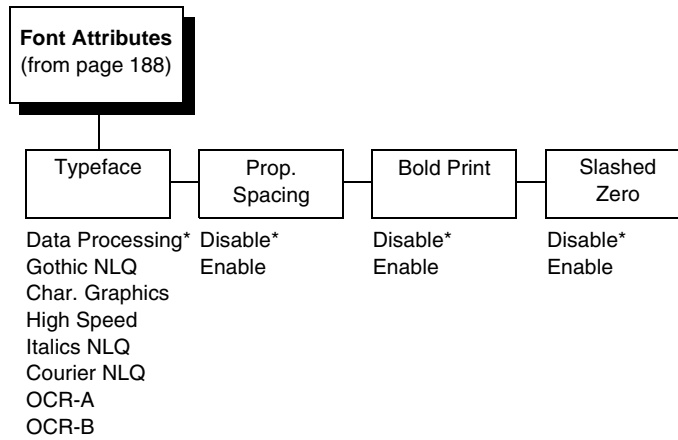
Epson Set*
 ASCII (USA)*
 French
 German
 English
 Danish I
 Swedish
 Italian
 Spanish I
 Japanese
 Norwegian
 Danish II
 Spanish II
 Latin Am I
 French Canadian
 Latin Am II
OCR-A
OCR-B
Code Page 210
Code Page 220
Code Page 852
Code Page 855
Code Page 857
Code Page 862
Code Page 866
Lithuanian 1
Lithuanian 2
Hebrew Old
Hebrew New
Hebrew Dec
Latin 9 8859-15
CP 858 Euro
IBM PC

ANSI Emulation

* Factory Default



* = Factory Default



Character Set
(from page 188)

Latin 1 8859-1*	Latin 9 8859-15
Cyrillic 8859-5	DEC 256 Greek
IBM PC-2 CP 437	Turkish CP 857
IBM PC-2 CP 850	USA
Slavic CP 852	German
Cyrillic CP 855	French A
Fr. Can. CP 863	French B
Russian CP 866	French Canadian
Greek CP 851	Dutch Netherlds
Turkish CP 853	Italian
Portug. CP 860	United Kingdom
Arabic CP 864	Spanish
Nordic CP 865	Danish/Norw. A
Latin 2 8859-2	Danish/Norw. B
Latin 3 8859-3	Danish/Norw. C
Latin 4 8859-4	Danish/Norw. D
Lat. Ara. 8859-6	Swed./Finnish A
Lat. Gre. 8859-7	Swed./Finnish B
Lat. Heb. 8859-8	Swed./Finnish C
Latin 5 8859-9	Swed./Finnish D
Turkish2 CP 867	Swiss
Pol. Maz. CP 8576	USA
Turkish CP 8577	Yugoslavian
Greek CP 8573	United Kingdm A
Italian CP 23	Turkish
Spanish CP 24	Greek
	DEC Mult.
	Roman 8

CPI/LPI Select

Defines the default values for the horizontal and vertical character spacing. The number of characters per inch can range from 10.0 through 17.1. The number of lines per inch can range from 3.0 through 8.0.

Font Attributes

Typeface

Choose a typeface from the available options.

Prop. Spacing (Proportional Spacing)

Each printed character is contained inside a character cell. The width of the character cell includes the character and the space around the character.

- **Disable** (default). Each character cell is printed with the same width. Each column in the printed text will line up.

```
This example is printed with
proportional spacing disabled.
```

- **Enable**. The width of each character cell varies with the width of the character. For example, [i] takes less space to print than [m]. Using proportional fonts generally increases the readability of printed documents, giving text a typeset appearance.

```
This example is printed with
proportional spacing enabled.
```

Bold Print

- **Disable** (default). Text is printed normally.
- **Enable**. Text is printed with a heavy line thickness.

Slashed Zero

This parameter allows you to print the numeral “0” with or without the slash. This option applies to all character sets except OCR-A and OCR-B.

- **Disable** (default). Zero is printed without a slash.
- **Enable**. Zero is printed with a slash.

Page Format

Margins

- **Left Margin.** Defines where the first print column is located. The left margin is specified as the number of characters from the left edge of the form.
- **Right Margin.** Defines where the last print column is located. The right margin is specified as the number of characters from the right edge of the form.
- **Top Margin.** Defines the location of the first print line on the page. The top margin is specified as the number of lines from the top of the form's position.
- **Bottom Margin.** Defines the location of the last print line on the page. The bottom margin is specified as the number of lines from the bottom of the form's position.

Form Length

Specifies the form length in lines. The maximum form length in lines depends on the current LPI setting; it is equal to the maximum form length in inches multiplied by the current LPI setting. For example, at 6 LPI the maximum form length is 6 LPI x 24 inches = 144 lines.

Only valid form length values will be accepted. If you select a length that is larger than the maximum length for the current LPI, the maximum length will be used. If you need a longer page length, you must first change the LPI.

IMPORTANT

If the form length is set in lines and you change the LPI, the effective page length changes to the form length in characters divided by the new LPI.

NOTE: Receipt of a data stream control code which changes the form length overrides the form length previously specified via the operator panel.

Form Width

Allows you to input the form width in characters from 1 through 272. The maximum form width in characters depends on the current CPI setting; it is equal to the maximum form width in inches multiplied by the current CPI setting.

Only valid form width values will be accepted. If a width is selected that is larger than the maximum width for the current CPI, then the maximum width will be used. If a larger width value is desired, then the CPI value must be changed first.

Table 8 lists the maximum number of characters that can be printed for a given Characters Per Inch (CPI) setting.

IMPORTANT If the form width is set in characters and the CPI is changed, the effective page width is changed to be equal to the form width in characters divided by the new CPI.

Table 8. Form Width

CPI Setting	Maximum Form Width (in characters)
10.0	136
12.0	163
13.3	181
15.0	204
16.7	227
17.1	272

Define CR Code

The Define CR Code option controls the action of the printer when it receives a Carriage Return code (hex 0D) from the host computer. If this feature is enabled, each time the printer receives a carriage return, it inserts an additional Line Feed code (hex 0A) into the data stream. Do not use this feature if the host computer sends line feeds to the printer.

- **CR = CR** (default). No extra line feeds are inserted.
- **CR = CR + LF**. Inserts an extra line feed after each carriage return.

Auto LF

Defines the printer actions when print data is received past the form width setting.

- **Disable** (default). Discards any data past the form width.
- **Enable**. Performs an automatic carriage return and line feed when data is received past the form width.

Define LF Code

Controls the action of the printer when it receives a Line Feed code (hex 0A) from the host computer. If this feature is enabled, each time the printer receives a line feed, it inserts an additional carriage return code (hex 0D) into the data stream. This feature can be used in most installations, but it is required if the host computer does not send carriage returns to the printer.

- **LF = CR + LF** (default). Adds an extra carriage return with each line feed.
- **LF = LF**. Does not add a carriage return with a line feed.

Character Set

This parameter selects a character set for the ANSI emulation. Note that when 0876 OCR-A or 0877 OCR-B is selected as the print language, the Font Attributes Typeface parameter is changed to OCR-A or OCR-B, respectively. Character sets are shown in detail in the *Character Sets Reference Manual*.

Printer Select

- **ON = DC1/OFF = DC3** (default). Disables the printer when a DC1 control code is received, and enables the printer when a DC3 control code is received.
- **Disable**. Ignores the DC1 and DC3 control codes.

ESC c Sequence

- **Enable** (default). An ESC c code received from the host resets the printer parameters to the factory defaults.
- **Disable**. An ESC c code received from the host is ignored.

Reset Cmd CFG Ld

When the printer receives a host data stream reset command (ESC @ or ESC[K) in addition to resetting printer variables, the selected configuration will be loaded.

- **Disable** (default). The active emulation parameters are loaded when the reset command is executed.
- **Power-Up Config**. The power-up configuration is loaded when the reset command is executed.
- **Current Config**. The currently selected configuration is loaded when the reset command is executed.
- **Factory Config**. The factory installed configuration is loaded when the reset command is executed.

Received CR

- **Observe** (default). A CR code received from the host is handled as a carriage return.
- **Ignore**. A CR code received from the host is ignored.

Received DEL

- **Observe** (default). A DEL code received from the host is handled as a Delete command.
- **Ignore**. A DEL code received from the host is ignored.

Private Mode

Determines the default type of character set (Set 1 or Set 2). This can also be set by ESC sequences ESC [>5h and ESC [>5l. Refer to these descriptions in the *ANSI Programmer's Reference Manual* for further details.

Pos. on BC/OvrSz

- **Set to top** (default). The paper is fed back to the top of barcodes or oversized characters after they are printed. This allows printing on the same line.
- **Set to bottom**. The printer will continue printing without backing up.

BC Check Digit

- **By host** (default). The host calculates the barcode check digit and sends it along with the barcode. The check digit is not verified by the printer but printed as it was received.
- **By printer**. The barcode is sent without the check digit, and the printer calculates and adds it in.

Barcode Darkmode

- **Enable** (default). The barcodes are printed at a higher resolution.
- **Disable**. The barcodes are printed at lower resolution but at a higher speed.

PUM Default

This is the Unit of Measure (UOM) as it is used within the ANSI emulation. Coordinates received in ESC sequences can be sent in two UOMs:

- **Decipoints** (default). A unit of 1/720 inch
- **Lines or columns**. Uses the current LPI and CPI values.

The UOM used is determined by this configuration setting.

Truncate PI Slew

- **Truncate at TOF** (default). The slew is terminated when the next Top-of-Form is reached. (This function applies to the ANSI EVFU only.)
- **Disable**. PI slews will be completed independent of their length.

ETX/ACK

End of Text/Acknowledge. The host controls the flow of communication to the printer by sending a block of data and ending the block with an End of Text (ETX) signal. When the printer receives the ETX signal, it acknowledges the ETX, thereby acknowledging it has received the entire block of data.

- **Disable** (default)
- **Immediate**
- **Afterprint**

IGP/PGL Emulation

The PGL emulation is the software based Intelligent Graphics Processor (IGP) for the line matrix family of printers. It is based upon, and is compatible with, the IGP-100/200/400 board using the PGL. The IGP graphics processing features are detailed below.

Features

On-Line Form and Label Generation makes it easy to create forms or labels with a “preprinted” look for each application. IGP programs control all graphic functions, dramatically reducing host computer programming and processing time.

Graphic capabilities include boxes, vertical and horizontal lines with user-selectable thickness, logos, and special alphanumeric print features. Forms and graphic designs can be duplicated horizontally and vertically.

Alphanumeric data can appear as prepositioned “fixed” information (entered when the form is created), be overlayed onto the form (positioned in a specific location after the form is created), or can be dynamically merged with the form.

Selectable Barcodes provide you with the appropriate barcode for your application using standard wide-to-narrow ratios. A wide selection of barcodes is available: Code 39, Interleaved 2 of 5, UPC-A, UPC-E, MSI A through D, Code 128 Subset A, B, and C, EAN/UCC-128, EAN 8, EAN 13, POSTNET, PostBar, Royal Mail, and PDF417. UPC and EAN barcodes can specify add-on data.

Expanded and Compressed Character Print attract attention where needed. Alphanumeric height and width are controlled independently for a wide range of character sizes up to 113 times the standard character size (up to 11.3 inches wide and tall). Compressed print sizes of 10, 12, 13, 15, 17, and 20 characters per inch (cpi) are available.

Logos are created using alphanumeric commands and add many print and shading features for a “customized” appearance to forms, reports, and labels.

Rotated Alphanumerics permit new concepts in form design. Normal, expanded, and compressed character strings can be rotated 90 degrees clockwise or counterclockwise, or they can be printed upside down.

Reversed Print permits highlighting and contrasting by printing white characters on a dark background.

Automatic Increment/Decrement Capability allows batch form processing. Individual alphabetic, numeric, and barcode data fields can be identified and automatically incremented or decremented by any amount, beginning from a specified reference point.

Scaling Capability permits graphic elements, such as corners or boxes, to retain their physical shapes and sizes when printed in a horizontal and vertical density other than the base density of 60 x 72 dpi.

Multinational Character Sets provide many international character sets, each 96 characters in length. This feature also allows you to create your own character sets using characters defined and stored in memory.

Extended Character Sets provide 33 extended character sets, also containing 96 characters in length. These are also stored in memory.

Configuring The Emulation With The Control Panel

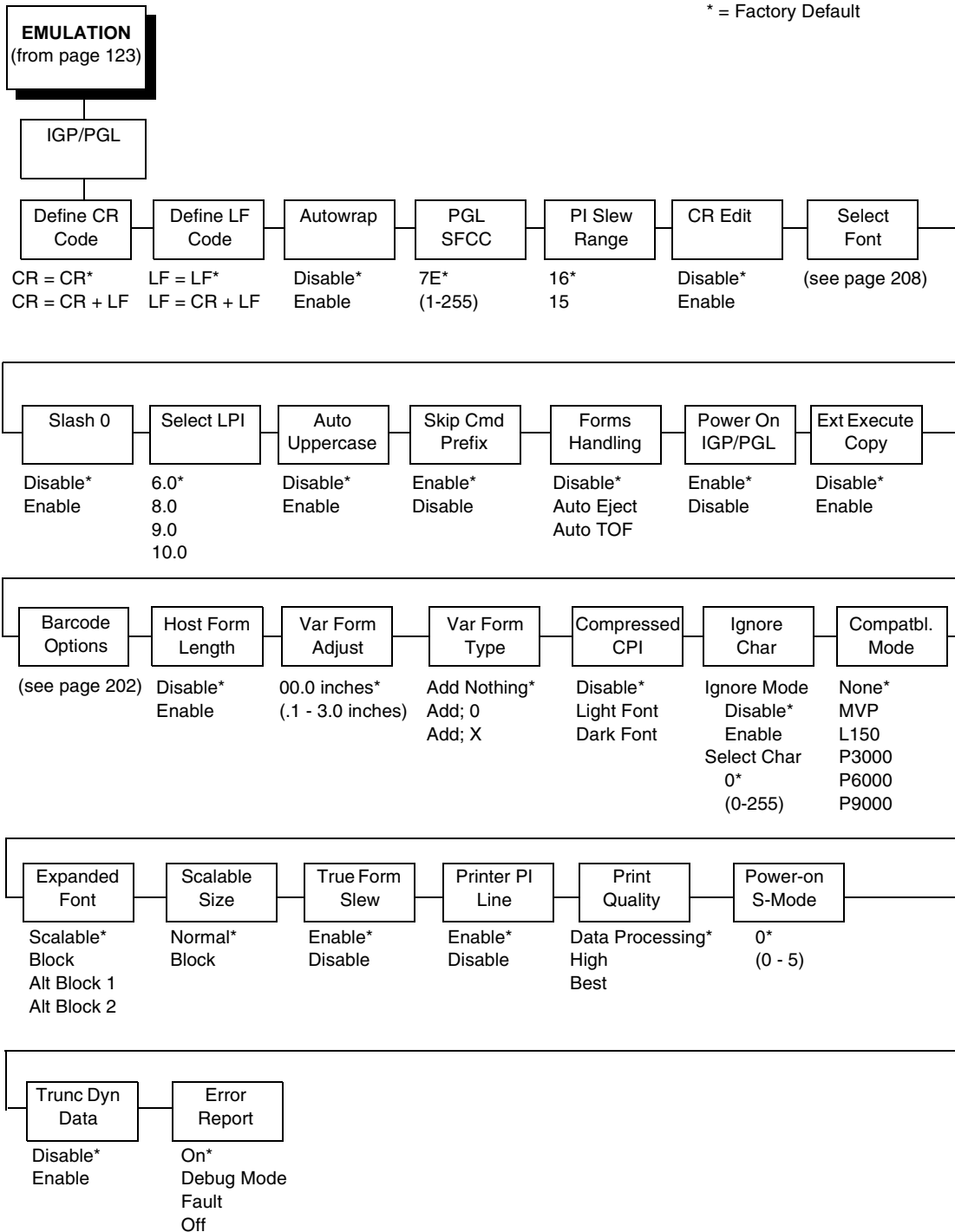
You can select PGL default parameters directly from the control panel or by control codes as explained in the *IGP/PGL Programmer's Reference Manual*. The PGL parameters are described on the following pages. Parameters marked with an asterisk (*) indicate the default value. The printer must be offline to enter the configuration structure.

Pressing an invalid key to enter a parameter value may move you to another level in the configuration or exit the configuration menu completely. Configure the IGP/PGL according to your specific requirements.

IMPORTANT **BEFORE** you reconfigure the IGP/PGL, print a configuration sheet to see all of the current settings.

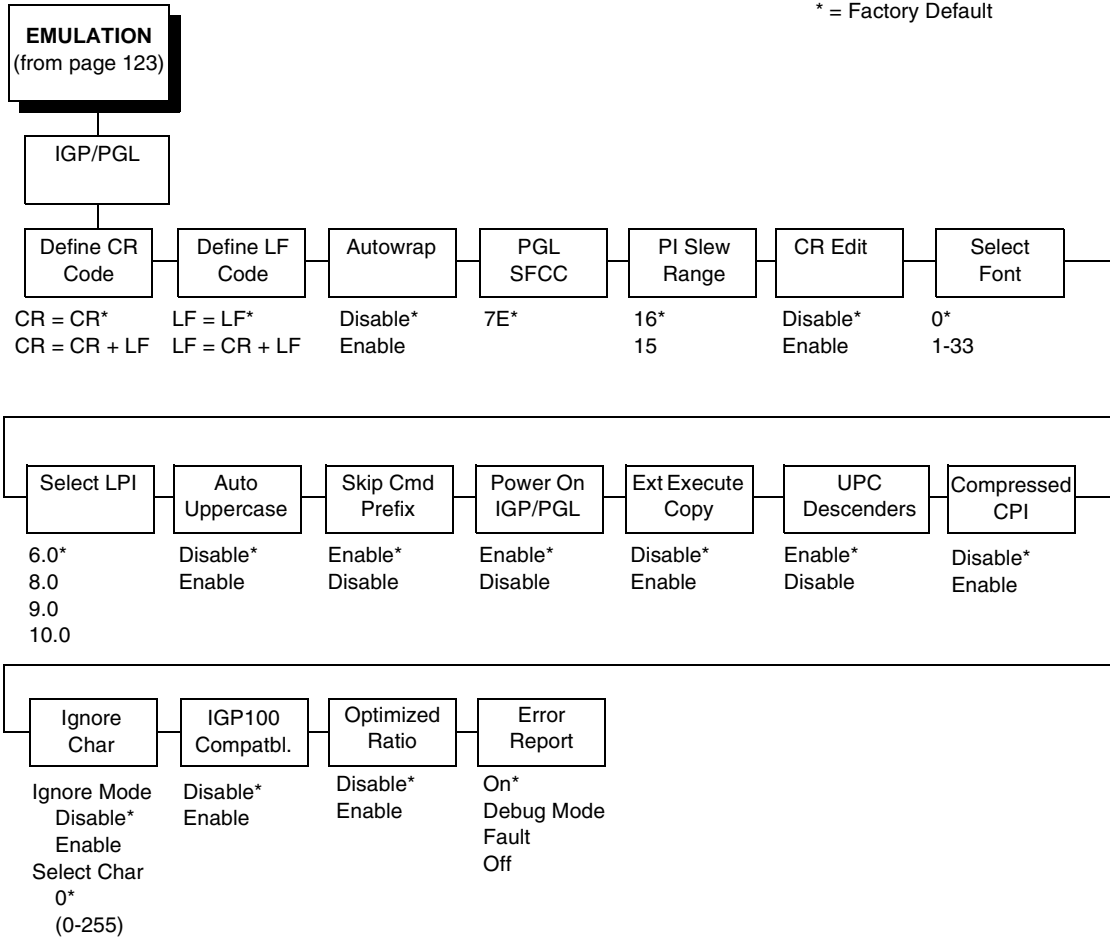
IGP/PGL Submenu

* = Factory Default



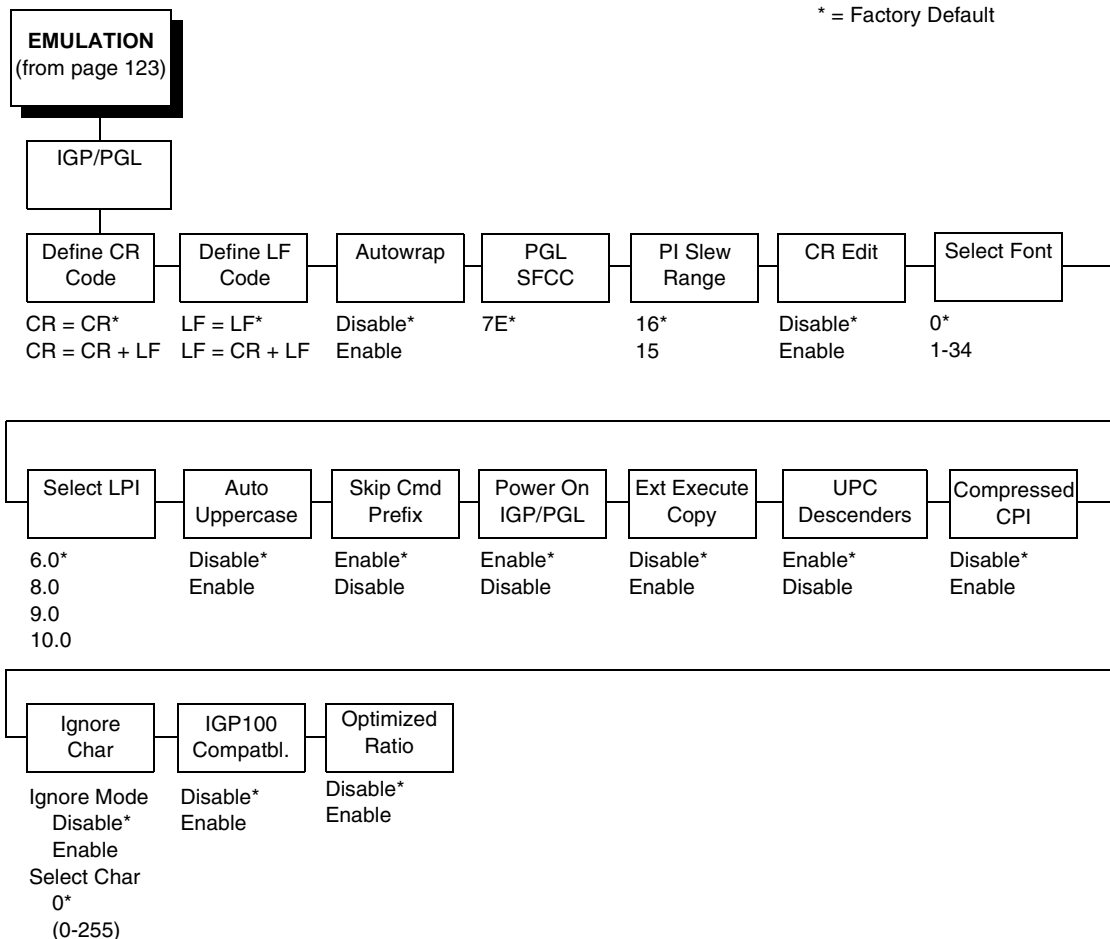
IGP/PGL Submenu (With PCL-II)

* = Factory Default



IGP/PGL Submenu (with LG)

* = Factory Default



Define CR (Carriage Return) Code

This parameter forces the printer to insert an automatic Line Feed code into the data stream whenever a Carriage Return code occurs. This is to be used only if the host computer does not send line feeds to the printer.

- **CR = CR** (default). Does not perform a line feed. The next print position will be print position 1 of the current line.
- **CR = CR + LF**. Performs an automatic line feed. The next print position will be print position 1 of the next line.

Define LF (Line Feed) Code

This parameter forces the printer to insert an automatic Carriage Return code into the data stream whenever a Line Feed code occurs. This can be used in most installations, but it is required if the host computer does not send carriage returns to the printer.

- **LF = LF** (default). Does not perform an automatic carriage return. The next print position will be the current print position of the next line.
- **LF = CR + LF**. Performs an automatic carriage return. The next print position will be print position 1 of the next line.

Autowrap

This parameter determines if text will wrap to the next line when the line of text exceeds the right margin.

- **Disable** (default). Truncates the text beyond the right margin until a CR or CR + LF is received.
- **Enable**. Automatically inserts a CR + LF after a full print line.

PGL SFCC

You can specify which hex code (1-255) will be used as the Special Function Control Code (SFCC). The factory default setting is 126. The SFCC denotes that the following data is a PGL command.

PI Slew Range

You can specify how many lines the paper will feed.

- **16** (default). A paper slew of 0-15 will move 1-16 lines.
- **15**. A paper slew of 1-15 will move 1-15 lines. A paper slew of 0 will move 1 line.

CR Edit

This parameter determines if a carriage return will be followed by a line feed.

- **Disable** (default). The printer ignores all carriage returns that are not followed by line feeds.
- **Enable**. The printer processes all carriage returns, even for those that are not followed by line feeds.

Select Font

Select Font specifies which language is currently selected for use with the PGL. Refer to *IGP/PGL Φοντ Σετ Μενυ ον παγε 208* for available selections.

Slash 0

This parameter allows you to print the numeral “0” with or without the slash. This option applies to all character sets except OCR A and OCR B.

- **Disable** (default). Zero is printed without a slash.
- **Enable**. Zero is printed with a slash.

Select LPI

This is the number of lines to be printed per inch. For example, at 6 lpi there is 1/6 inch from the top of one print line to the top of the next print line. The options are:

- **6.0** (default)
- **8.0**
- **9.0**
- **10.0**

Auto Uppercase

This parameter enables the printer to print text in all uppercase when using the ALPHA command.

- **Disable** (default). The printer will print text in upper and lowercase.
- **Enable**. The printer will print text in uppercase only.

Skip Cmd Prefix

This parameter determines if the printer will print any data before a PGL command is received.

- **Enable** (default). The printer ignores all data on the current line before an IGP command.
- **Disable**. The printer will print all data on the current line before an IGP command.

Forms Handling

This submenu allows the user to handle the form in the following ways:

- **Disable** (default). No effect.
- **Auto Eject**. Automatically ejects a page at the end of the job to spill out the last page.
- **Auto TOF**. Automatically does a form feed (FF) at the end of each form to the next top of form.

Power On IGP/PGL

You can set the IGP feature so that it is enabled or disabled when the printer is powered on.

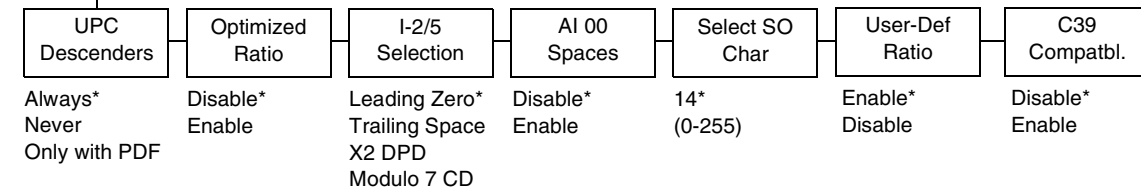
- **Enable** (default). The PGL is enabled when the printer is powered on. (The PGL feature is initialized in the Normal mode.)
- **Disable**. The PGL is disabled when the printer is powered on. (The PGL feature is initialized to the Quiet mode.)

Ext Execute Copy

- **Disable** (default). Dynamic data and overlay data are not allowed if the optional Form Count parameter (number of forms to print) is specified as part of the Execute command. (This setting is IGP-100 compatible.)
- **Enable**. Only dynamic data is allowed within a form in which the Form Count parameter is specified in the Execute command. In this case, the exact same form (with identical dynamic data, etc.) is printed for the Form Count. However, incremental data is not incremented since the page that is printing is exactly the same. Also, each form is printed on a separate page.

Barcode Options (from page 197)

* = Factory Default



Barcode Options

The following sub-options help define specific options regarding barcode printing.

UPC Descenders

This parameter allows you to print barcode descenders when human readable data is not present in the UPC/EAN barcodes.

- **Always** (default). UPC/EAN barcodes are printed with descenders, even if there is no human readable data.
- **Never**. UPC/EAN barcodes are printed without descenders if there is no human readable data.
- **Only with PDF**. UPC/EAN barcodes are printed with descenders only when the PDF command is present.

Optimized Ratio

This option selects different barcode ratios for certain barcodes including Code 39 and I-2/5. It is included for compatibility with the IGP-X00 printers.

- **Disable** (default). Use standard barcode ratios.
- **Enable**. Select the alternate barcode ratios.

I-2/5 Selection

This option is added to be compatible with a special IGP-X00 customization. Usually, if I-2/5 barcodes have an odd number of digits, a leading zero is inserted in front of the data. However, this special IGP-X00 customization gives you the option of adding a space character at the end of the barcode instead.

- **Leading Zero** (default). A leading zero is inserted in front of the printable data field.
- **Trailing Space**. A space is inserted at the end of the printable data field and a zero is encoded with the corresponding space in the end of the barcode.
- **X2 DPD**. When selected, an I-2/5 barcode with an X2 magnification will use the specially configured ratios 3:3:6:5 rather than 3:6:9:12 for compatibility issues.
- **Modulo 7 CD**. The I-2/5 barcode uses a modulo 7 check digit instead of the default modulo 10 check digit.

AI 00 Spaces

This option is designated for EAN/UCC-128 barcodes whose application identifier (AI) is 00.

- **Disable** (default). The printable data field is printed with the AI enclosed in parentheses. This is the standard EAN/UCC-128 format.
- **Enable**. The printable data field is printed with the UCC fields separated by spaces. This option is IGP-X00 compatible.

Select SO Char

Allows you to specify a decimal code from 0 through 255 to be used in place of SO (Shift Out) as the control code. This allows access for the alternate set of control function characters. See the description of the Code 128 barcodes in the *IGP/PGL Programmer's Reference Manual* for details.

User-Def Ratio

- **Enable** (default). User-defined ratios are accepted for barcodes.
- **Disable**. User-defined ratios are ignored and the magnification X1 is used in its place.

C39 Compatbl.

This menu makes the old method of decoding C39 alternative character set compatible with the new.

- **Disable** (default) Uses the current way of decoding.
- **Enable.** Matches the old method of decoding.

Host Form Length

Determines whether the form length specified in the CREATE command changes the form length designated in the LP+ menu (see ΔινεΠριντερ Πλυσ Εμυλατιον ον παγε 157) when the form is printed by the EXECUTE command.

- **Disable** (default). The LP+ form length is unaffected by the form being printed.
- **Enable.** The LP+ form length changes to match the length of the PGL form being printed.

Var Form Adjust

(Ranges from 0 - 30). Default is 0. This menu value is tenths of inches. The value of this menu specifies the amount of distance to add to PGL forms that have variable form lengths. Variable length forms are forms that are defined by using a “;0” in the CREATE statement: ~CREATE;FORM;0. Variable form lengths are defined by the contents within the form - the form is only as long as necessary to print the form. Changing this menu value adds additional lengths to the form (in tenths of inches). Again, this only applies to forms that use the “;0” variable length forms.

Var Form Type

This menu option applies only to the host command, CREATE;NAME or CREATE;NAME;DISK. The host command CREATE;NAME followed by ;0, ;X or a form length number will always override the menu option.

- **Add Nothing** (default). No action.
- **Add; 0.** When selected, the form length ends at the longest printed element. Same as CREATE;NAME;0.
- **Add; X.** When selected, the form length is the same as the physical page length.

Compressed CPI

This parameter allows you to choose a compressed character (60% shorter) for 17 or 20 cpi instead of the normal height character.

- **Disable** (default). The PGL does not use compressed 17 or 20 cpi font.
- **Light Font.** Uses the standard compressed 17 or 20 cpi font.
- **Dark Font.** Uses a darker compressed 17 or 20 cpi font compatible with the IGP-X00 printers.

Ignore Char

- **Ignore Mode**

This parameter instructs the PGL to ignore the character selected under the Select Character menu.

- **Disable** (default). The PGL does not ignore any characters.
- **Enable**. The PGL ignores the characters specified in the Select Character menu.

- **Select Char**

Instructs the PGL which decimal character (0-255) to ignore from the host.

Compatbl. Mode

This option instructs the PGL to behave similarly to older versions of the IGP with respect to certain commands.

All new users with new applications should select the "None" option. Selecting this mode insures the printer will behave as described in this manual.

When replacing an older product operating with an existing application, especially those using the PMODE and SMODE commands, you may need to select a compatibility mode. In this case, select the printer model number option that most closely matches the printer being replaced. The Compatibility Mode options include:

- **None** (default)
- **MVP**
- **L150**
- **P3000**
- **P6000**
- **P9000**

Expanded Font

This option defines the type of expanded characters the PGL will select:

- **Scalable** (default). These expanded characters have rounded edges.
- **Block**. These are block characters compatible with the IGP-X00 printers.
- **Alt Block 1 / Alt Block 2**. Reserved block sets used only for compatibility purposes.

Scalable Size

- **Normal** (default). Controls the size of scalable characters to be either normal size (as set by the user) or adjusted to match the size of block fonts.
- **Block**. Adjusts the size of scalable characters to exactly match its block font alternative.

True Form Slew

This option is related to slewing within forms when using the PMODE command. Customers with new applications are advised to keep this option enabled.

- **Enable** (default). Form length is accurate according to the form length parameter in the CREATE command.
- **Disable**. Form length is IGP-X00 compatible when using PMODE.

Printer PI Line

This option enables the IGP to send PI instructions to the printer to slew the form.

- **Enable** (default). Send the PI instructions to the printer (LinePrinter Plus) during form slew. This is IGP-X00 compatible.
- **Disable**. Do not send PI instructions to the printer. LFs are sent instead.

Print Quality

- **Data Processing** (default). The emulation prints at 60 x 72 dpi and lets you choose between normal alphanumerics and barcodes and dark mode alphanumerics and barcodes. This mode should be set if you want the highest speed.
- **High**. The emulation prints at 120 x 72 dpi, but all alphanumerics and barcodes are automatically printed in dark mode.
- **Best**. The emulation prints at 120 x 144 dpi and dark mode, which produces a higher resolution, better-looking print image.

Power-on S-Mode

This option instructs the PGL to behave similarly to older versions of the IGP with respect to certain commands.

All new users with new applications should select “0,” the default option. Selecting this mode insures the printer will behave as described in this manual.

Power on S-Mode sets the printer in an SMODE compatibility state at power-up. The default is 0 (disabled, no power-on mode). To use this feature, select a mode from 1 through 5, which puts IGP/PGL in an SMODE state according to the compatibility mode set. If the compatibility mode set is None, then MVP is assumed by default.

For more information, see the *IGP/PGL Programmer's Reference Manual*.

Trunc Dyn Data

This submenu allows the user to truncate the dynamic data up to the maximum data length specified in Create Mode.

- **Disable** (default). If the dynamic data exceeds the maximum data length, an error will report.
- **Enable**. If the dynamic data exceeds the maximum data length, the data truncates.

Error Report

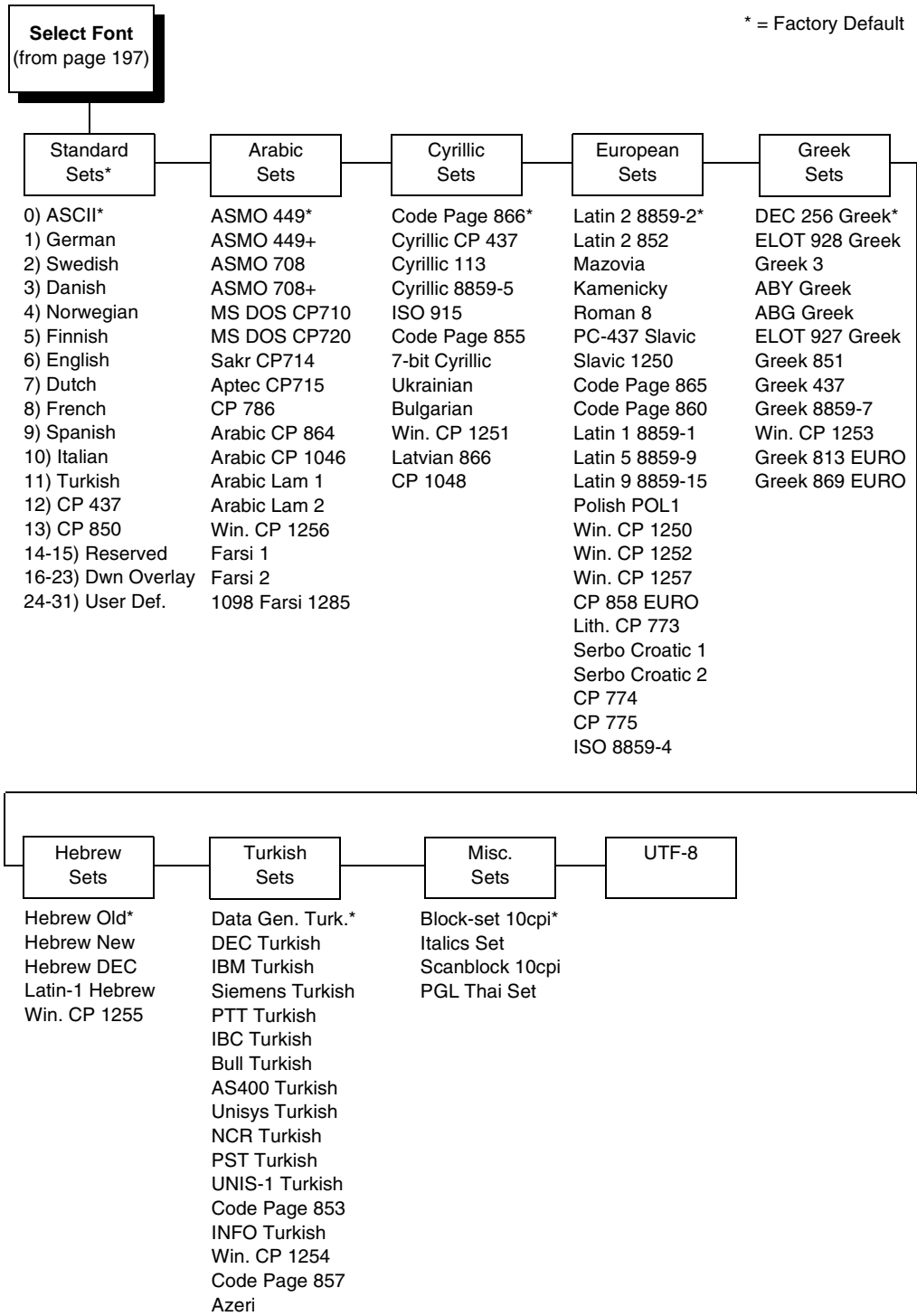
Sets the error reporting capability for IGP/PGL forms.

- **On** (default). Form boundary error checking reported. Any element which falls off the current page is reported as an error.
- **Debug Mode**. The printer is put in debug mode whenever a form is defined in Create Form mode. Each line of the Create Form is printed along with an error if one occurred. This is the same functionality as if there were a slash (/) entered before the Create Form Name.
- **Fault**. When an error occurs, the error is printed and the message "IGP/PGL ERROR" appears on the printer front panel. The printer then stops printing and goes offline. The error must be cleared before the printer can resume normal operation.
- **Off**. No form boundary checking. Graphic elements appear clipped if they are beyond the page boundaries.

Select Font

Allows you to choose from various character sets, including IGP/PGL Standard sets, 256 character multinational sets, and UTF-8 encoded Unicode™.

IGP/PGL Font Set Menu



IGP/VGL Emulation

Code V Graphics language (VGL) is an Intelligent Graphics Printing (IGP) software emulation designed for your Line Matrix printer. The IGP Code V emulation of the QMS[®] Code V Version II programming language produces online forms, barcodes, and alphanumeric text-generation. The graphics processing features are detailed below.

Features

OnLine Form and Label Generation makes it easy to create forms or labels with the “preprinted” look for each application. VGL programs control all graphics functions, dramatically reducing host computer programming and processing time. Graphics capabilities include boxes, vertical and horizontal, solid and dashed lines with a variety of thickness, logos, and special alphanumeric print features.

Variable Barcodes allow the barcode for your application to print with standard or user-defined ratios in vertical or horizontal orientations. Available barcodes are Codabar, Code 39, Code 93, Code 128 with Subsets A, B, and C, and Code EAN/UCC 128, EAN 8, EAN 13, Interleaved 2 of 5, MSI, UPC-A, UPC-E, POSTNET, PostBar, Royal Mail, and UPC Shipping. POSTNET is available only in the horizontal direction. A dark print mode is included for darker, high-contrast barcodes. The IBARC barcode command prints barcodes in four orientations: horizontal, rotated 90, rotated 180, or rotated 270 degrees.

Expanded and Compressed Print draws attention where needed. Alphanumeric height and width are controlled independently for a tremendous range of character sizes up to 9.9 inches wide and tall. Several compressed print sizes are available: 12, 13.33, 15, 17.65, and 20 (dpi), permitting up to 170 columns in an 8.5 inch printed area (20 dpi).

Rotated Alphanumerics permit new concepts in form design. Normal, expanded, and compressed character strings can be rotated 90 degrees clockwise, counterclockwise, or printed upside down.

Logos are easily created using alphanumeric commands and a variety of print and shading features, which provides a “customized” appearance for forms, reports, and labels. The registered trademark, copyright, TUV[®], GS-Mark, UL[®], and CSA[®] symbols are provided as standard designs on the VGL, and you can also define custom symbols.

Reverse and Shaded Print permit highlighting and contrasting by printing white characters on a dark background or white characters on a gray, shaded background. Various levels or patterns of gray shading and reverse printing may combine with the many other print features to create distinctive designs.

Automatic Increment/Decrement Capability allows batch form processing. Individual alphabetic, numeric, and barcode data fields can be identified and automatically incremented or decremented by any amount, beginning from a specified reference point.

Standard Character Sets provide you with many different character sets. Based on the Multinational Character Set, you can create your own character sets using characters defined and stored in flash memory.

Configuring The Emulation With The Control Panel

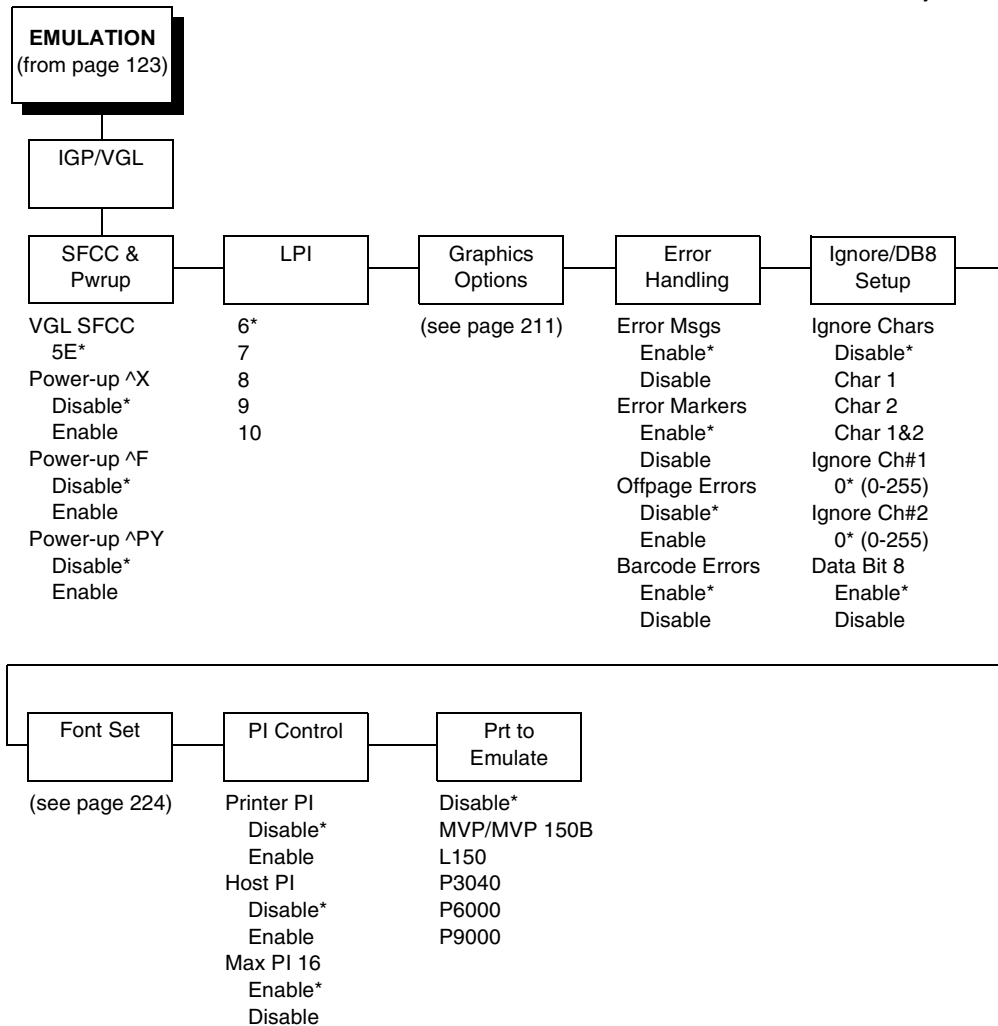
You can select VGL default parameters directly from the control panel or by control codes as explained in the *IGP/VGL Programmer's Reference Manual*. The VGL parameters are described on the following pages. Parameters marked with an asterisk (*) indicate the default value. The printer must be offline to enter the configuration structure.

IMPORTANT BEFORE you reconfigure the IGP/VGL, print a configuration sheet to see all of the current settings.

Pressing an invalid key to enter a parameter value may move you to another level in the configuration menu or exit the menu completely.

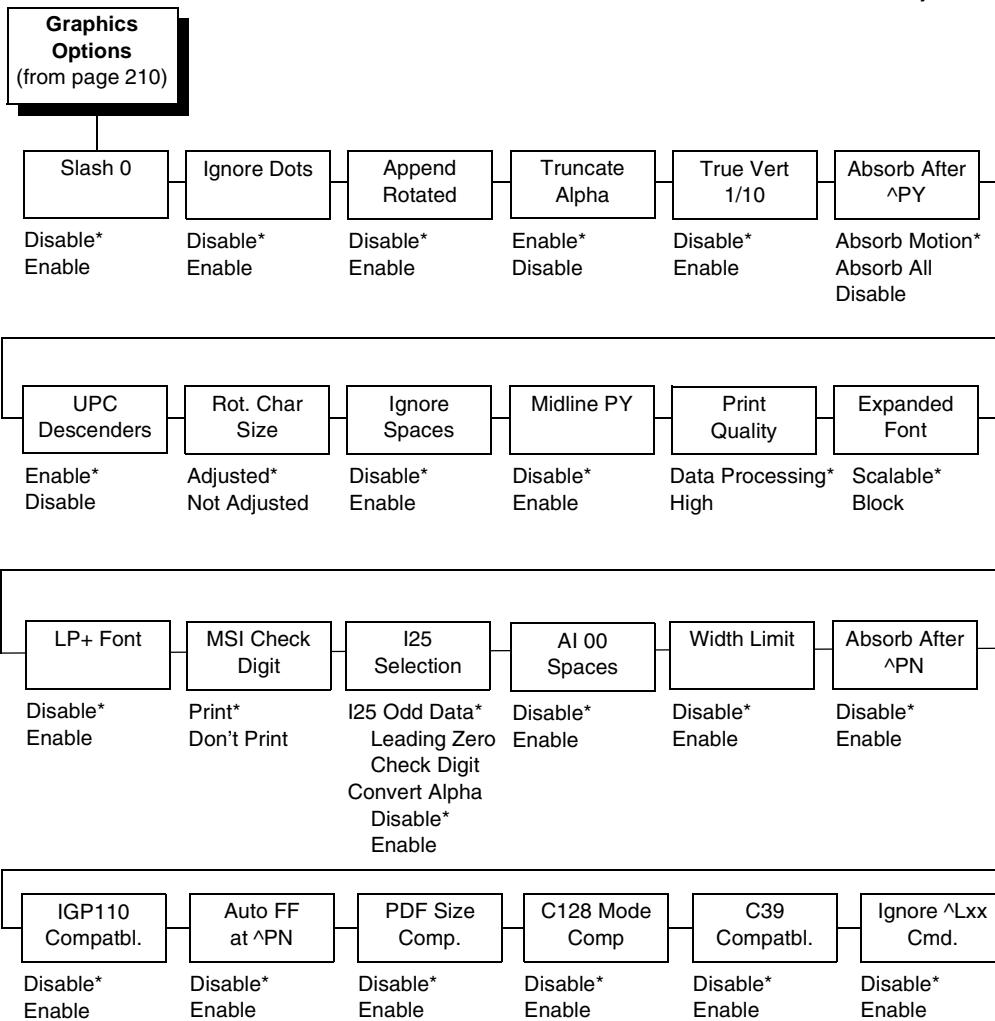
IGP/VGL Submenu

* = Factory Default



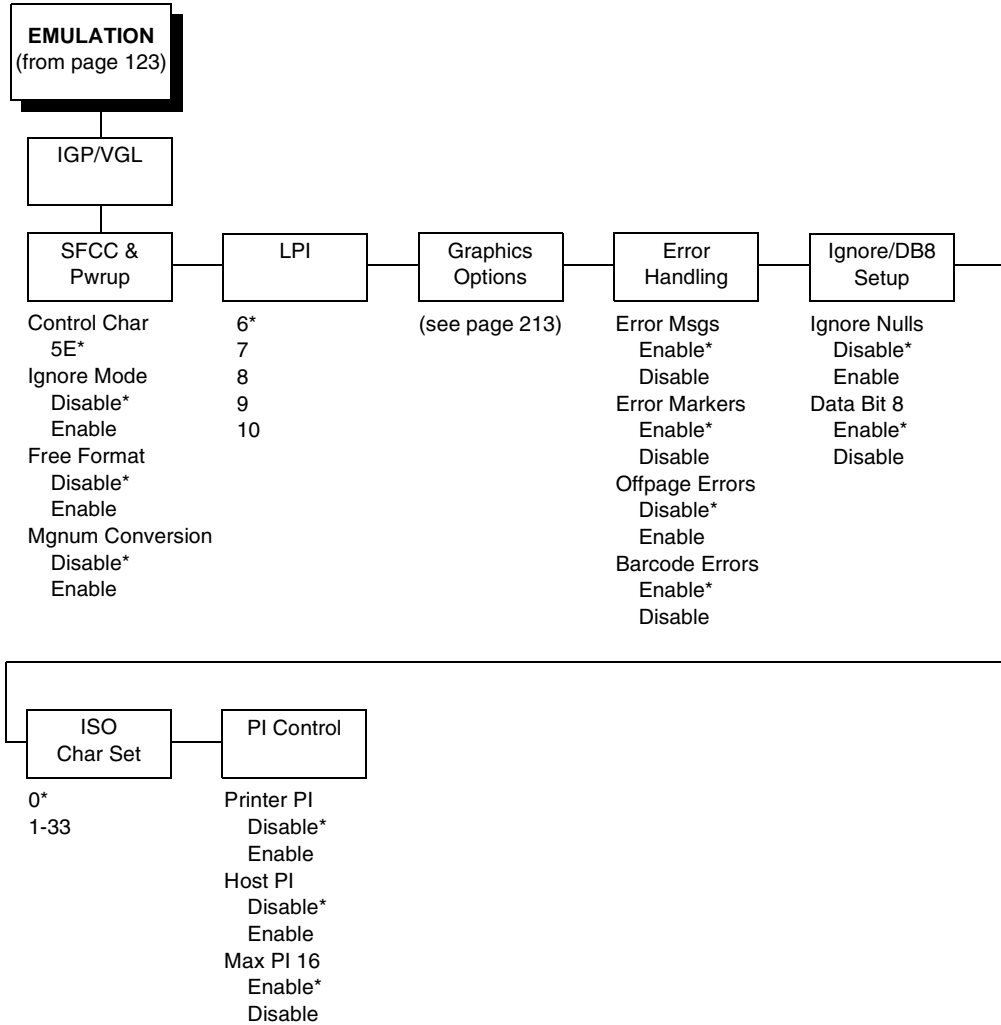
IGP/VGL Graphics Options Submenu

* = Factory Default



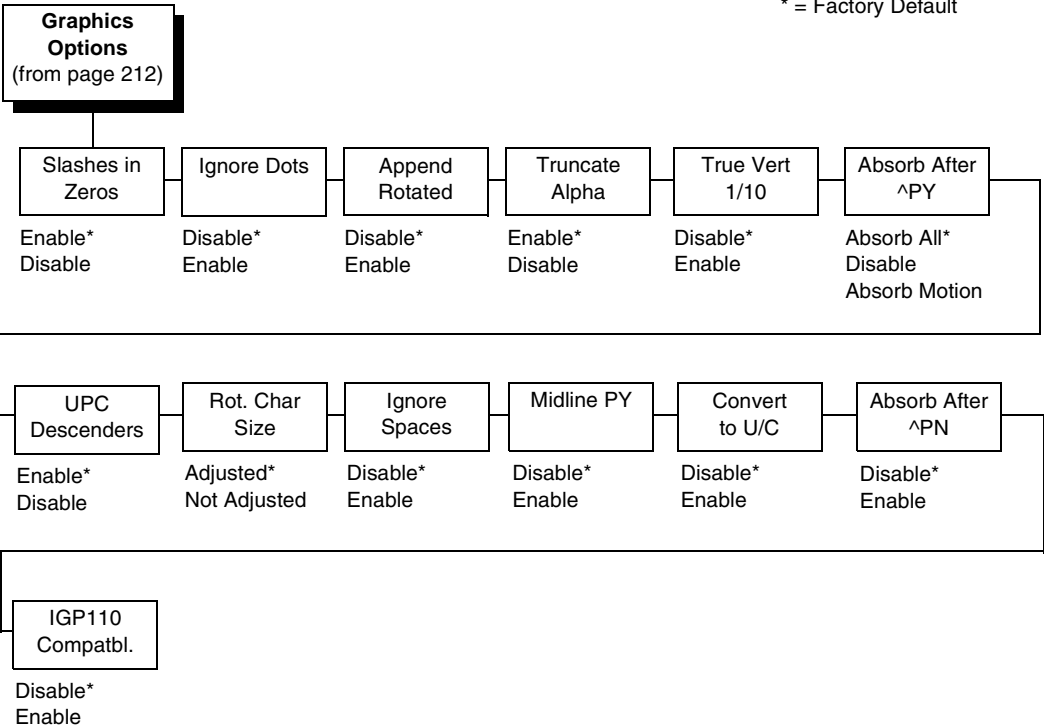
IGP/VGL Submenu (with PCL-II)

* = Factory Default



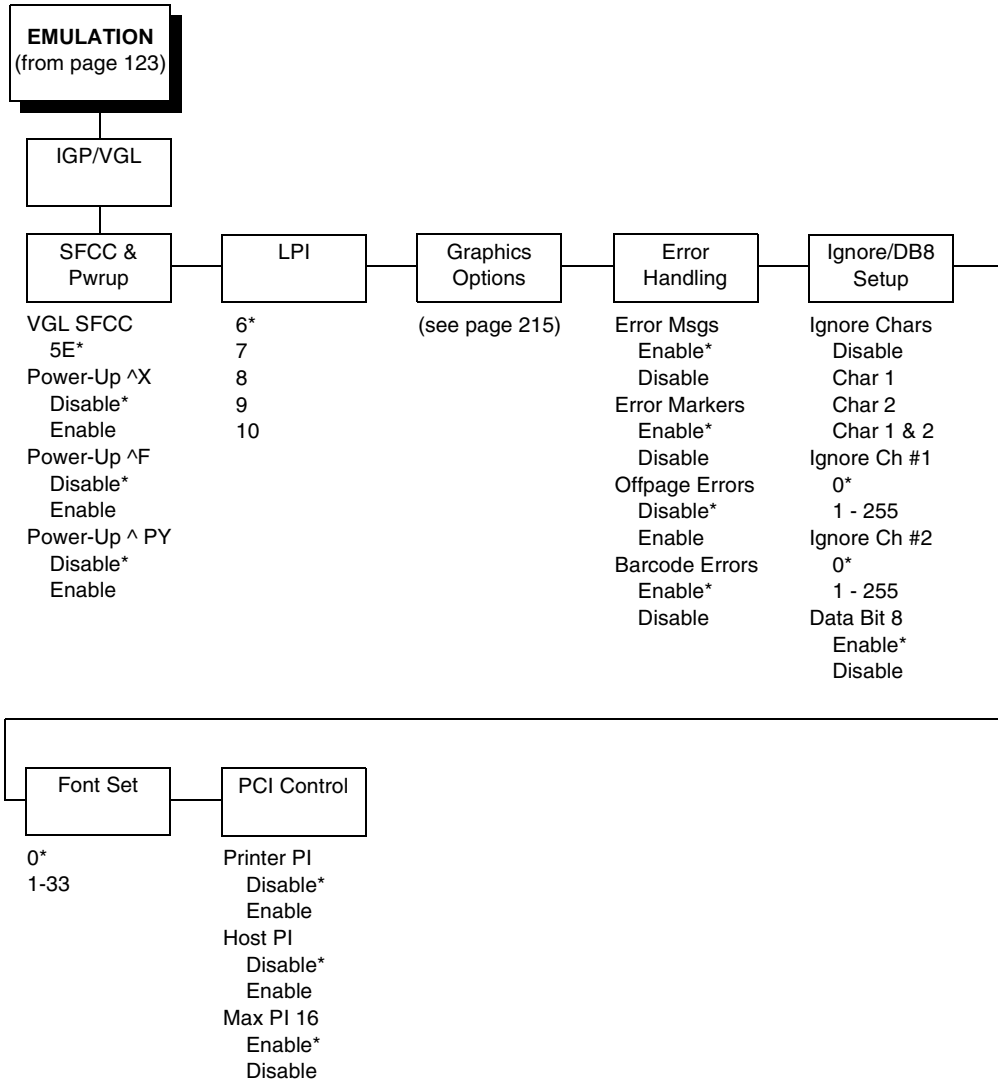
IGP/VGL (with PCL-II) Graphics Options

* = Factory Default

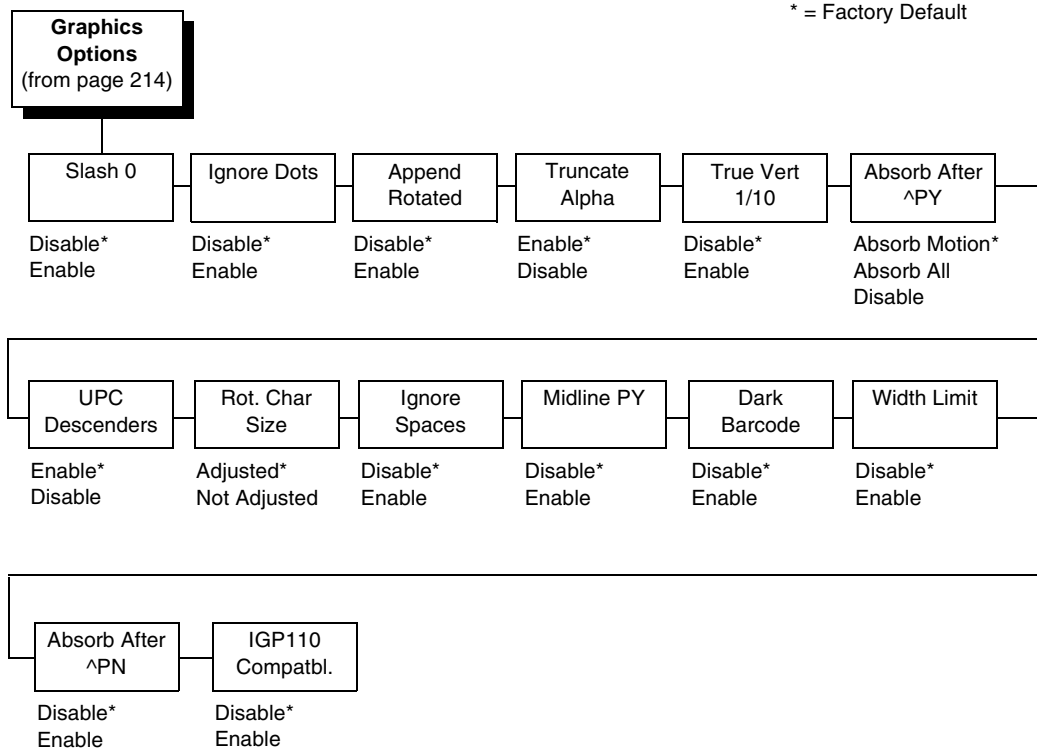


IGP/VGL Submenu (with LG)

* = Factory Default



IGP/VGL (with LG) Graphics Options



SFCC & Pwrap

This option has several sub-options which define the SFCC and power-up configuration used with VGL.

VGL SFCC

This option selects the Special Function Control Code. The default value 5E. Run a configuration printout to determine the currently selected VGL SFCC.

Power Up ^X

- **Disable** (default).
- **Enable**. Selects the ignore mode as the power-up default and selects the graphics mode ^PY as the power-up default. All characters are ignored until a ^A command is received.

Power Up ^F

- **Disable** (default).
- **Enable**. Selects free format mode as the power-up default and selects the graphics mode ^PY as the power-up default. Free format causes the VGL to ignore carriage returns, line feeds, and all characters below hex 20 sent from the host.

Power Up ^PY

- **Disable** (default).
- **Enable**. Selects the graphics mode ^PY as the power-up default.

LPI

The number of lines to be printed per inch. For example, at 6 lpi there is 1/6 inch from the top of one print line to the top of the next print line.

Graphics Options

The following are several options which configure printing output.

Slash 0

This parameter allows you to print the numeral “0” with or without the slash. This option applies to all character sets except OCR-A and OCR-B.

- **Disable** (default). Zero is printed without a slash.
- **Enable**. Zero is printed with a slash.

Ignore Dots

- **Disable** (default).
- **Enable**. Causes the VGL to expect position values to be specified in only 1/10ths of an inch. If the dot position is also given, it is treated as text.

Append Rotated

- **Disable** (default). Logos and alphanumeric strings are treated as separate elements.
- **Enable**. Appends logos to an alphanumeric string rotated in a clockwise, counterclockwise, or inverted orientation.

Truncate Alpha

When enabled, this parameter prevents the printing of Error 48 (Element Off Page Error) if alphanumeric data, including spaces, extends beyond the right side of the form. The options include:

- **Enable** (default)
- **Disable**

True Vert 1/10

- **Disable** (default). A vertical 1/10 of an inch parameter is used as 7/72 of an inch. The absolute move is slightly smaller than expected. For example, a one-inch move would be 70/72 of an inch. Vertical moves that have the same value are identical in length.
- **Enable**. A vertical 1/10 inch parameter is used as 1/10 inch. Rounding occurs to the nearest 1/72 inch. This can cause vertical moves that have the same value to differ by $\pm 1/72$ inch.

Absorb After ^PY

- **Absorb Motion** (default). The first paper motion following a ^PY command is ignored.
- **Absorb All**. The system ignores all the data and terminator until a host generated motion terminator is detected.
- **Disable**. System terminators following a graphics command are sent to the printer and result in paper motion.

UPC Descenders

- **Enable** (default). UPC/EAN barcodes are printed with descenders, even if there is no human readable data.
- **Disable**. UPC/EAN barcodes are printed without descenders if there is no human readable data.

Rot. Char Size

- **Adjusted** (default). Rotated (clockwise/counterclockwise), expanded characters have a different size than an unrotated character with the same size parameters.
- **Not Adjusted**. Rotated, expanded characters are the same size as unrotated characters with the same size parameters.

Ignore Spaces

- **Disable** (default). Trailing spaces are not deleted from the last alphanumeric element in a graphics pass.
- **Enable**. Trailing spaces are deleted from the last alphanumeric element in a graphics pass.

Midline PY (includes ^PN)

- **Disable** (default). The Graphics mode Enable command, ^PY, must be the first three characters of a line.
- **Enable**. The ^PY or ^PN can occur anywhere in a line.

Print Quality

- **Data Processing** (default). ALPHA text and barcodes are printed in normal mode at 60 x 72 dpi. This mode should be set if the highest speed is desired.
- **High**. ALPHA text and barcodes are printed in dark mode at 120 x 72 dpi.

Expanded Font

- **Scalable** (default). These expanded characters have rounded edges.
- **Block**. These are block characters compatible with IGP-X10 printers.

LP+ Font

- **Disable** (default). The IGP/VGL uses its default half-dot font, which is slightly different from the standard bitmap font used by LP+ at 12, 13, 15 and 17 cpi.
- **Enable**. The IGP/VGL uses the same font as used by LP+ at all cpi.

MSI Check Digit

- **Print** (default). The check digit is appended at the end of the printable data field for MSI barcodes.
- **Don't Print**. The check digit for MSI barcodes does not print.

I25 Selection

- **I25 Odd Data** (default). When an odd number of data is provided, the default setting, Leading Zero, will add a zero to the beginning of the bar code data. The setting, Check Digit, will add a check digit to the end of the bar code data so that the results add up to an even number of data.
- **Convert Alpha**. Disable is the default. When enabled, each non-digit I25 bar code character will convert to "0."

NOTE: If you use an Interleaved 2/5 barcode that automatically adds the check digit (type code k or l, IBARC type code INT2/5CD or INT2/5CDA), the check digit is added regardless of how this parameter is set.

AI 00 Spaces

This option is designated for EAN/UCC-128 barcodes whose application identifier (AI) is 00.

- **Disable** (default). The printable data field is printed with the AI enclosed in parentheses. This is the standard EAN/UCC-128 format.
- **Enable**. The printable data field is printed with the UCC fields separated by spaces. This option is IGP-X00 compatible.

Width Limit

- **Disable** (default).
- **Enable**. The system will limit the length and width for expanded characters to a limit shown in Table 9, which displays the maximum width allowed for a specific height in the range of 00 through 40 (0.0 through 4.0 inches).

Table 9. Width Limit Table

Height Param.	Max. Width Allowed	Height Param.	Max. Width Allowed
00	99	21	51
01	99	22	53
02	3	23	56
03	6	24	58
04	8	25	61
05	11	26	63
06	13	27	66
07	16	28	68
08	18	29	71
09	21	30	73
10	23	31	76
11	26	32	78
12	28	33	81
13	31	34	83
14	33	35	86
15	36	36	88
16	38	37	91
17	41	38	93
18	43	39	96
19	46	40	98
20	48		

Absorb After ^PN

- **Disable** (default). All line terminators that follow the ^PN command are sent to the printer and processed.
- **Enable**. The first motion line terminator that follows the ^PN command is ignored.

IGP110 Compatbl.

This option instructs the VGL to behave similarly to the IGP-10 with respect to certain commands. All new users with new applications should select the "Disable" option. Selecting this mode insures the printer will behave as described in this manual.

- **Disable** (default). The IGP does not emulate the IGP-10 mode.
- **Enable**. The IGP emulates the IGP-10 version.

Auto FF at ^PN

- **Disable** (default). A form feed will not be generated automatically when the ^PN command is encountered.
- **Enable**. A form feed will be generated automatically to slew to the top of the next form when the ^PN command is encountered and when the current vertical position is not at top of form.

PDF Size Comp.

This option is for compatibility of the font size of the barcode printable data field on the old build.

- **Disable** (default). Uses the normal font size.
- **Enable**. Matches the font size of the old build.

C128 Mode Comp

The menu is for compatibility of the old build in auto mode switch.

- **Disable** (default). Uses auto mode switch.
- **Enable**. Matches the old build on the auto mode switch.

C39 Compatbl.

This menu makes the old method of decoding C39 alternative character set compatible with the new.

- **Disable** (disable). Uses the current way of decoding.
- **Enable**. Matches the old method of decoding.

Ignore ^Lxx Cmd.

- **Disable** (default).
- **Enable**. The ^Lxx command will always be ignored.

Error Handling

Following are several options which define how errors are reported.

Error Msgs

- **Enable** (default). Command syntax is checked and error messages printed when command parameters are incorrect.
- **Disable**. Error checking and error messages are suppressed.

Error Markers

- **Enable** (default). Prints the following error markers for those elements that print beyond the page boundaries:
 - >> for elements that begin off the right side of the page;
 - << for elements that begin at the indicated position but end off the page;
 - ◆ for elements where the starting position of the command contains an error other than an off-page error.

Offpage Errors

- **Disable** (default). Does not report errors for elements that start or end beyond the right edge of the page.
- **Enable**. Reports errors for elements that start or end beyond the right edge of the page.

Barcode Errors

- **Enable** (default). An error message will print when invalid barcode data is encountered.
- **Disable**. VGL will not print an error for illegal barcode data; the barcode will be skipped.

NOTE: When the Barcode Errors option is disabled, the VGL emulation will try to make the best use of invalid data by either truncating extra digits or adding zeros to the end of barcode data to meet minimum data length requirements for some barcodes. Not all errors will be corrected.

Ignore / DB8 Setup

Following are several options which define character filtering and Data Bit 8.

Ignore Chars

- **Disable** (default). Character filtering is not enabled.
- **Char 1**. Character 1 will be filtered. Select the option "Ignore CH#1" to specify character 1.
- **Char 2**. Character 2 will be filtered. Select the option "Ignore CH#2" to specify character 2.
- **Char 1 & 2**. Characters 1 & 2 will be filtered. Select the options "Ignore CH#1" and "Ignore CH#2" to specify values for these characters.

Ignore CH#1

Specifies character 1 for the character filtering option. Valid decimal values are from 0 through 255.

Ignore CH#2

Specifies character 2 for the character filtering option. Valid decimal values are from 0 through 255.

Data Bit 8

- **Enable** (default). The PI line is not passed directly from host to printer; all 8 bits are used for data bits, and characters in the hex 80-FF range can be accessed.
- **Disable**. When the host PI line is enabled, Data Bit 8 internally indicates PI line status. To use the PI line, disable Data Bit 8, and enable the Host PI configuration option (under the PI Control option, below).

NOTE: Data Bit 8 is interpreted as either Data Bit 8 or PI signal, but never both. When enabled as Data Bit 8, Data Bit 8 has priority over the PI signal, and all data above hex 7F is used to access character data and not to interpret PI line data.

Conversely, when Data Bit 8 is disabled and the PI signal is used, Data Bit 8 of the data is reserved for use as the PI function, and you cannot access characters in the hex 80-FF range. Therefore, to access characters in the hex 80-FF range, Data Bit 8 must be enabled.

Font Set

The Font Set specifies which language is currently selected for use with the VGL. Refer to *ΙΓΠ/ςΓΛ Φοντ Σετ Μενυ ον παγε 224* for available selections.

PI Control

Printer PI

- **Disable** (default). The ASCII emulation is configured with the PI line disabled.
- **Enable**. The ASCII emulation is configured with the PI line enabled.

Host PI

- **Disable** (default). The host does not send PI signals.
- **Enable**. The host sends PI signals. The Data Bit 8 configuration option must be disabled to transmit the PI line to the printer.

Max PI 16

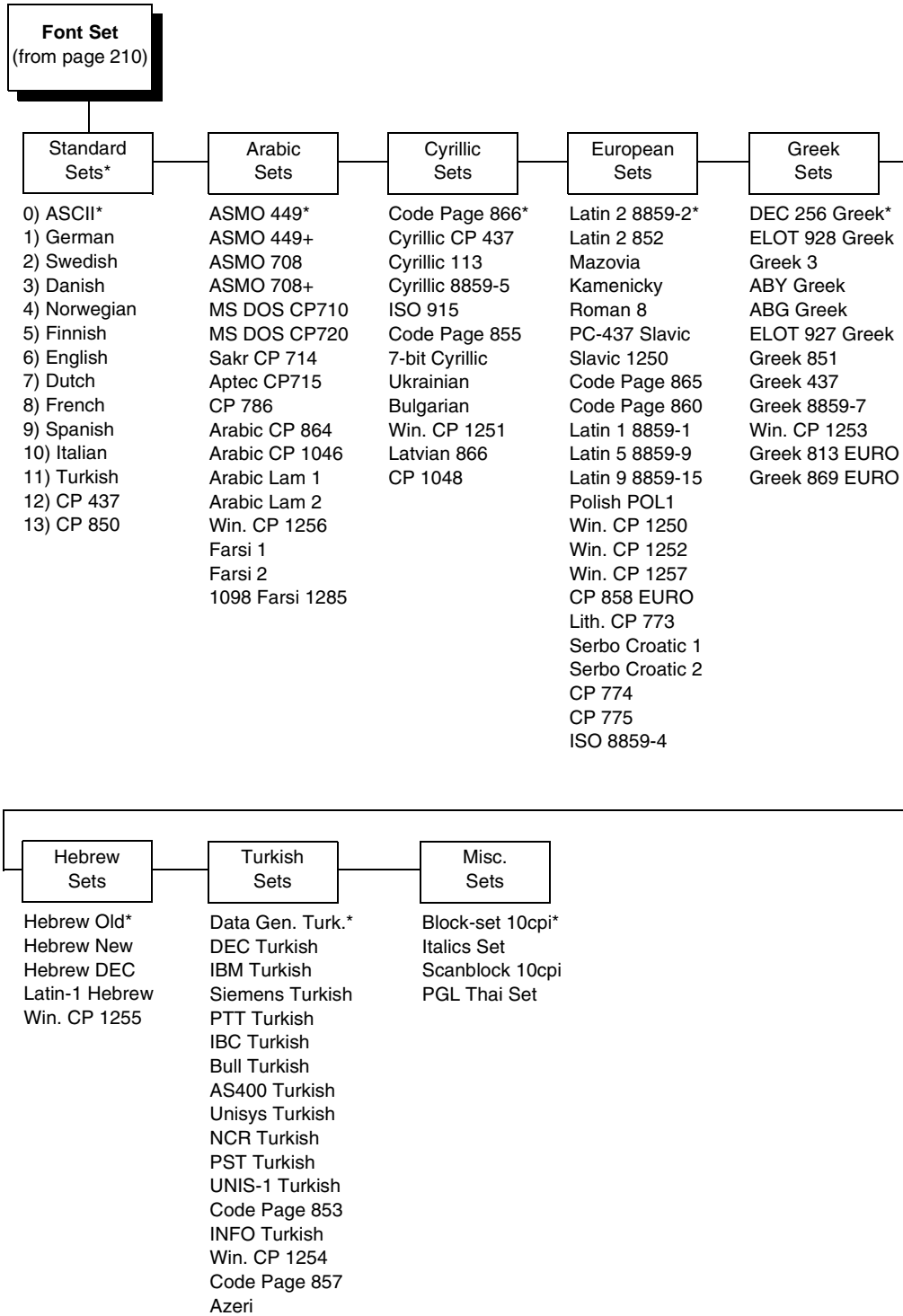
- **Enable** (default). A paper slew of 0-15 will move 1-16 lines.
- **Disable**. A paper slew of 1-15 will move 1-15 lines. A paper slew of 0 will always move 1 line.

Prt To Emulate

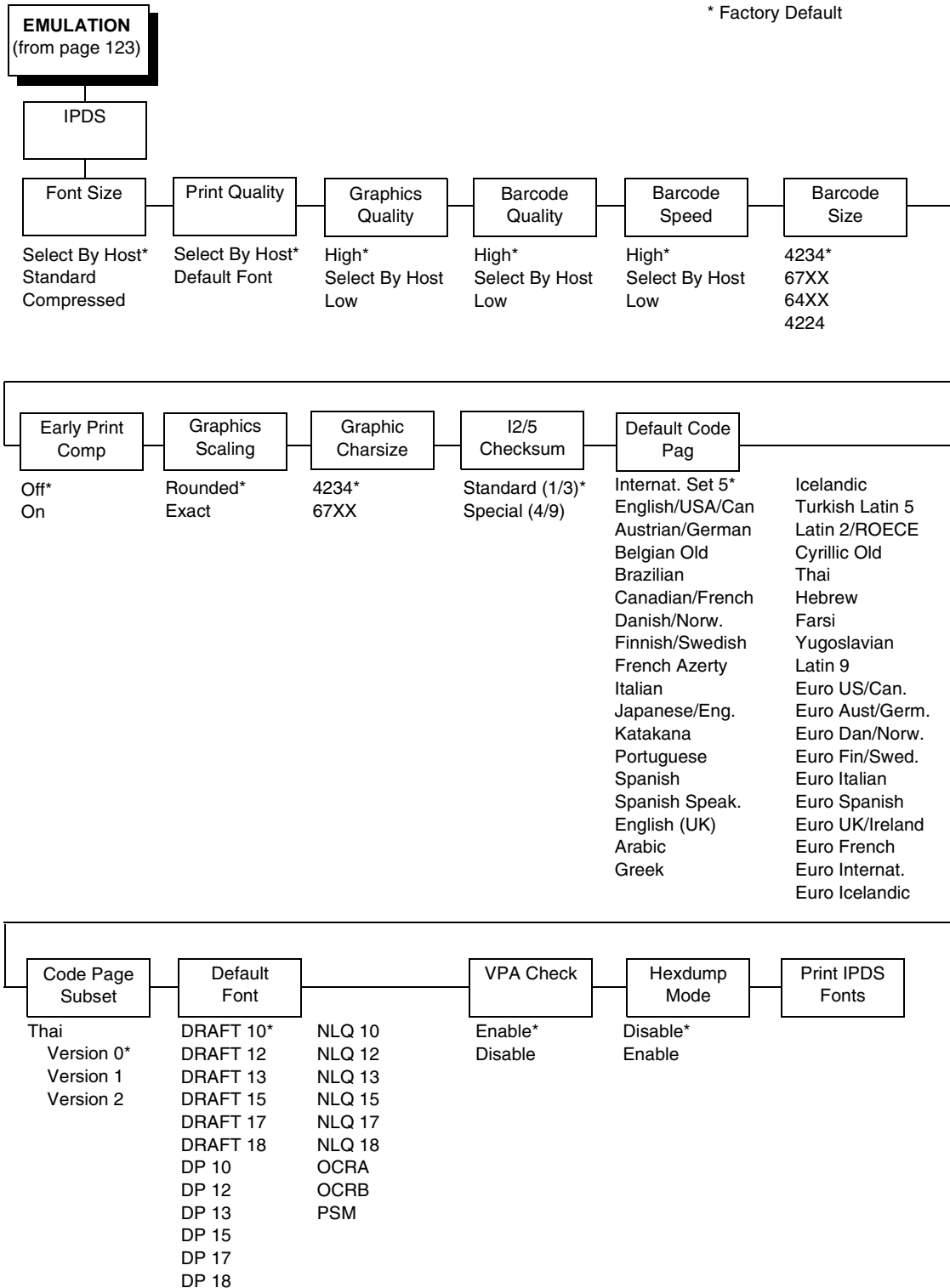
This option allows you to select an earlier model printer/IGP board combination to emulate. When a printer emulation is selected, the scaling command causes the printer to generate a graphic image in the same density as the printer emulation chosen. Five types of printers can be emulated: MVP or MVP 150B, L150, P3040, P6000, and P9000. Once a printer emulation is selected, it remains active until the printer is turned off or another printer emulation is selected. All new users with new applications should select the "Disable" option, which insures the printer behaves as described in this manual. The other compatibility modes are required to emulate the behaviors of older printers which may be inconsistent with the documented VGL functionality. Proper use of this feature requires the printer to be equipped with high resolution hammer bank tips (12 mil).

IGP/VGL Font Set Menu

* = Factory Default



IPDS Emulation



Your IPDS printer emulates the IBM 4234 twinax models 008 and 012.

IPDS Twinax printers can only print IPDS data streams and nothing else. Even a simple job, such as a screen print, is IPDS data in a twinax attachment. Because the printer definition on a twinax host is either set automatically (by auto configuration) or manually, the printer type is already known.

NOTE: A general discussion about starting and stopping IPDS can be found in the IBM 4234 Product and Programming Reference Manual (GC31-3879). Sending a non-IPDS data stream to an IPDS printer and vice versa will result in a hung spool file or writer.

Font Size

This parameter chooses the font size which will be used by IPDS.

- **Select By Host** (default). The font ID is only affected by host commands.
- **Standard**. The font ID is converted to a decompressed font ID.
- **Compressed**. The font ID is converted to a compressed font ID.

Print Quality

This parameter chooses the print quality.

- **Select By Host** (default). The application decides the print quality.
- **Default Font**. The default font the printer uses.

Graphics Quality

This parameter chooses the print quality of graphics.

- **High** (default). Graphics are printed at 144 dot rows per inch.
- **Select By Host**. The application decides the quality of the graphics.
- **Low**. Graphics are printed at 72 dot rows per inch.

Barcode Quality

This parameter chooses the horizontal print quality of barcode labels.

- **High** (default). Label is printed at 144 dots per inch.
- **Select By Host**. The application decides the quality of the labels.
- **Low**. Label is printed at 72 dots per inch.

Barcode Speed

This parameter chooses the vertical print quality of barcode labels.

- **High** (default). Barcodes are printed with less vertical dots, increasing printing speed, but decreasing print quality.
- **Select By Host**. The application decides the quality of the labels.
- **Low**. Barcodes are printed with more vertical dots, decreasing printing speed, but increasing print quality.

Barcode Size

This parameter will emulate the barcode sizes of the selected printer model.

- **4234** (default). IBM 4234
- **67XX**. Decision Data 67XX
- **64XX**. IBM 6400 series
- **4224**. IBM 4224

Early Print Comp (Complete)

This parameter chooses when to send a Print Comp to the controller.

- **Off** (default). Print Comp is sent if page is printed completely.
- **On**. Print Comp is sent immediately. The next page will be created. This improves the print performance when starting the next page.

NOTE: When Early Print Comp is enabled and an error occurs, you may lose data.

Graphics Scaling

This parameter chooses the scaling factor for graphics when the Mapping Control option of the IPDS Write Graphics Control command is SCALE TO FIT:

- **Rounded** (default). Calculations are rounded up in the desired output resolution.
- **Exact**. Graphics will be scaled as accurately as possible.

Graphic CharSize

This parameter will emulate the graphic character size of the selected printer model.

- **4234** (default). IBM 4234
- **67XX**. Decision Data 67XX

I2/5 Checksum

This parameter defines the printer checksum calculation method for Interleaved 2 of 5 barcodes.

- **Standard (1/3)** (default). The odd numbers will be multiplied by 3 and the even numbers by 1 for calculation of the checksum.
- **Special (4/9)**. The odd numbers will be multiplied by 4 and the even numbers by 9 for calculation of the checksum.

NOTE: "Odd" refers to the 1st, 3rd, 5th... character in the barcode, while "even" refers to the 2nd, 4th, 6th... character in the barcode.

Default Code Pag

Choose which code page to use with the IPDS emulation. This option is independent of the Character Set selection in the CTHI emulation.

Code Page Subset

When the Thai code page is selected as the default, either from the front panel or by a host command, you may choose from three different versions.

Default Font

Choose a font quality and size from the available selections. All fonts in the Default Font menu are available in standard and compressed vertical resolution (see page 225).

VPA Check

- **Enable** (default). The printer checks for dots that fall outside the intersection of the logical and physical pages. If dots fall outside the area, the printer reports an error to the host if the IPDS Exception Handling Control command setting requires error reporting.
- **Disable**. The printer does not report dots outside the valid printable area.

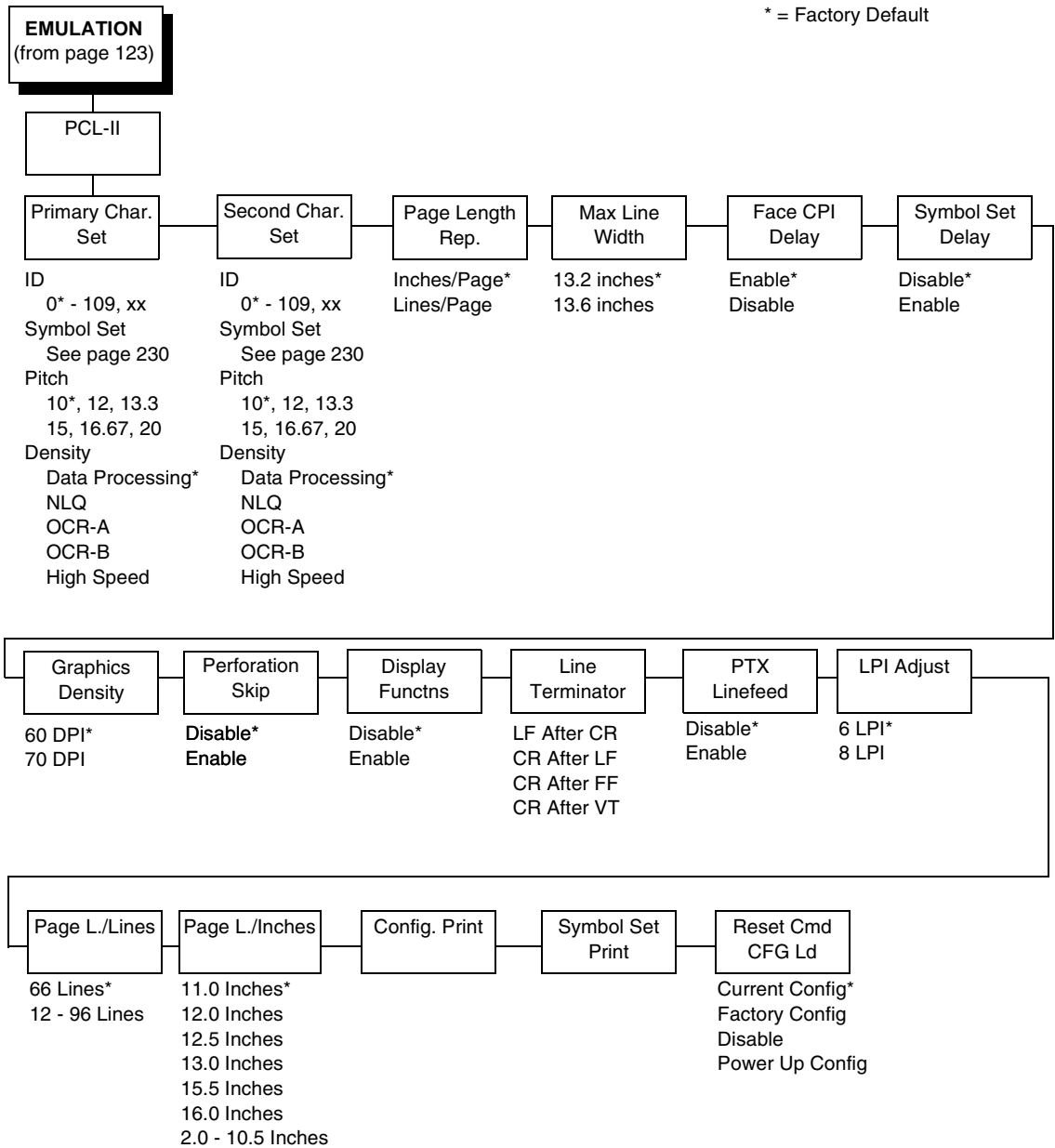
Hexdump Mode

A hex code printout (or hex dump) translates all incoming data to hexadecimal equivalents. A hex dump lists each ASCII data character received from the host computer, together with its corresponding two-digit hexadecimal code. Hex dumps can be used to troubleshoot some types of printer data reception problems.

Print IPDS Fonts

This feature allows you to print a list of all resident fonts currently available in the active IPDS emulation

PCL - II Emulation





Primary Char. Set

You can select one of 92 pre-defined character sets by ID (although character sets range from 0 - 109, not all sets are available on the LJ500 printer), or you can select pitch, symbol set, and typeface individually. If the combination you choose matches one of the 92 predefined sets, the ID submenu will reflect that selection. If not, the ID menu will display xx to indicate that the current character set does not match a pre-defined set. Set 0 is the default, and its attributes are 10 cpi, Data Processing typeface, and Roman 8 symbol set.

Second Char. Set

Your printer can store an additional character set. To toggle between them, send the Shift In (Decimal 15, to select the Primary character set) or Shift Out (Decimal 14, to select the Secondary character set).

Page Length Rep.

- **Inches/Page** (default). All page length calculations are based on the inches displayed on the panel.
- **Lines/Page**. All changes in LPI or density will be changed accordingly. The length of the page is the number of lines per inch, or lpi.

For example, if the form in use is 82 lines at 6 lpi, the page is physically 13.67 inches. Since 13.67 inches is not selectable from the Length in Inches menu, change the representation to lines, then set the number of lines to 82. The inches menu will display 13.6 inches although the printer internally keeps the exact form length of 13.67 inches.

Max Line Width

Set the maximum line width at 13.2 inches (default) or 13.6 inches.

Face CPI Delay

Allows the combination of different font densities on the same line.

- **Enable** (default). Different font densities can be used on the same line.
- **Disable**. Only the same font densities are allowed on the same line.

Graphics Density

Graphics can be printed in 60 DPI (default) or 70 DPI.

Perforation Skip

- **Disable** (default). Allows printing on page perforation.
- **Enable**. You may set up a skip-over margin. For example, a skip-over margin of one inch creates a one inch margin at the bottom of the page.

Display Functions

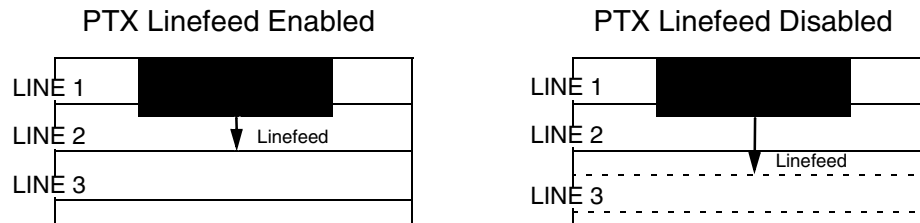
- **Disable** (default). Control characters are not printed.
- **Enable**. Control characters are printed before they get executed. This is a useful debugging tool.

Line Terminator

You can define the action of the line. Four options are available: LF after CR, CR after LF, CR after FF, and CR after VT. Each of these options may be enabled or disabled independent of one another.

PTX Linefeed

- **Disable** (default). Linefeed is to be performed as calculated from the bottom of the graphics or barcode, thereby disrupting the vertical text alignment.
- **Enable**. The Linefeed moves to the next line as calculated from the Top of Form position, thereby retaining vertical text alignment. When printing graphics or bar codes, you may want to set the PTX Linefeed parameter to Enable to maintain text alignment.



LPI Adjust

This parameter lets you specify the lines per inch (lpi) values: 6 LPI (default) or 8 LPI.

Page L./Lines

This parameter lets you set physical page length in lines from 12 to 96 at 6 lpi, or 16 to 128 at 8 cpi. The default is 66 lines at 6 lpi.

NOTE: If 6 lpi is selected, you will be able to scroll the menu to 128 (an invalid length). However, when you press ENTER to select this value, the menu will return with the maximum lines for 6 lpi (i.e., 96 lines). Similarly, selecting too few lines for 8 lpi will cause the menu to return with 16 lines.

Page L./Inches

This parameter allows you to set physical page length from 2 to 16 inches, in increments of half an inch. The default is 11 inches.

Config Print

This option prints the emulation's parameters and the currently selected values.

Symbol Set Print

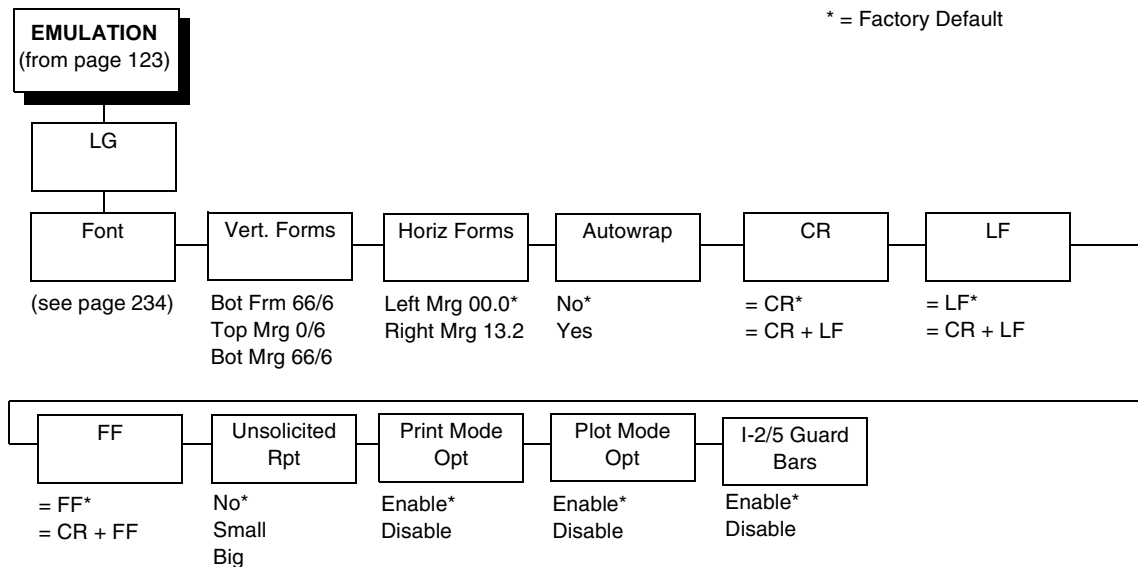
This option prints a list of all the available sets. The character set number prints to the left of the character set sample.

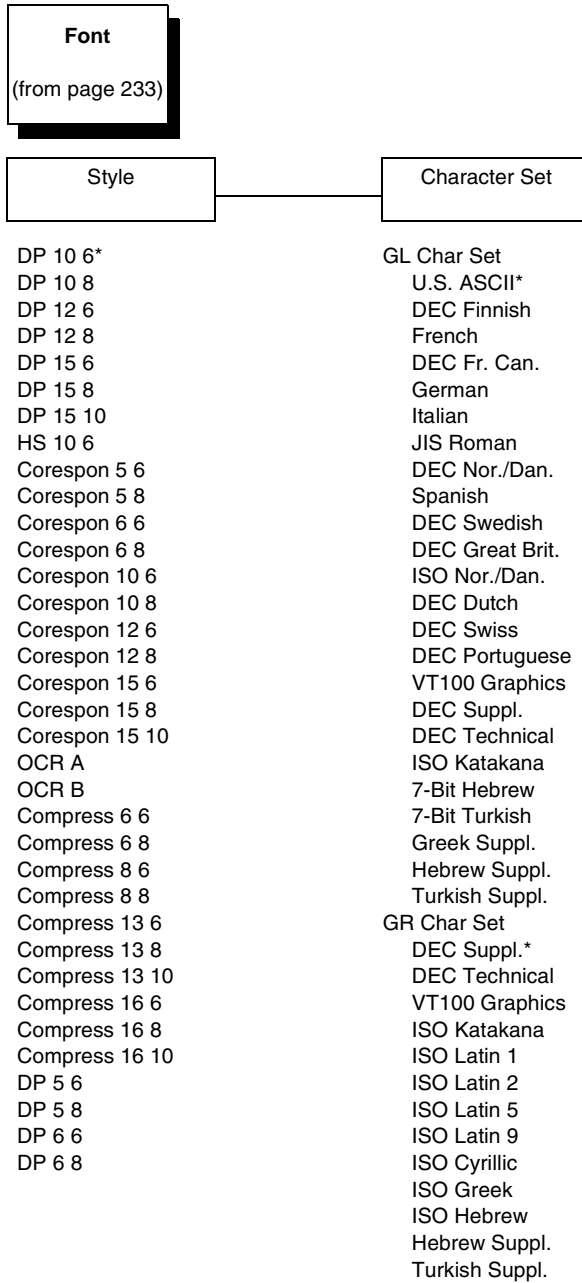
Reset Cmd CFG Ld

When the printer receives a host data stream reset command in addition to resetting printer variables, the selected configuration will be loaded.

- **Current Config** (default). If you have preset and presaved multiple configurations, then the currently selected presaved configuration is loaded when the reset command is received.
- **Factory Config**. The factory installed configuration is loaded when the reset command is received.
- **Disable**. The printer ignores the reset command when it is received and continues to use the currently loaded configuration.
- **Power-Up Config**. The power-up configuration is loaded when the reset command is received.

LG Emulation





Font

Select a default font style and character set for the LG emulation, as follows:

- **Style.** This option allows you to specify a print quality that includes a characters per inch (cpi) and lines per inch (lpi) setting, in the format Type cpi lpi. The default setting is DP 10 6 (Data Processing, 10 cpi, 6 lpi). The print quality types you may choose from are as follows:
 - DP = Data Processing (standard quality)
 - CORESPON = Correspondence (near letter quality)
 - COMPRESS = Compressed (vertically compressed for printing long graphs and charts)
 - OCR A & OCR B = Optical Character Recognition, sets A and B
 - HS = High Speed (Draft quality for high speed printing)
- **Character Set.** This option allows you to select a character set. The character set you select can be any of the Digital Multinational sets, which include the U.S. ASCII set and several foreign language and special character sets.

Vert Forms

- **Bot Frm 66/6** (default). This option sets the bottom margin for the forms. You must specify the bottom margin in lines (at 6 lines per inch), ranging from 0 to 198 lines (33 inches). The default setting is 66. Press the right arrow to increase the value, left arrow to decrease the value, and ENTER to change units. Selecting a value for this option resets the top margin to 0, so the top margin must be redefined after this option is selected.
- **Top Mrg 6/0.** This option sets the top margin for the forms. You must specify the top margin in lines (at 6 lines per inch), ranging from 0 to 198 lines (33 inches). The default setting is 0. Press the right arrow to increase the value, left arrow to decrease the value, and ENTER to change units. The margins will automatically adjust so that the top and bottom margins do not cross each other.
- **Bot Mrg 66/6.** This option sets the bottom margin for the forms. You must specify the bottom margin in lines (at 6 lines per inch), ranging from 0 to 198 lines (33 inches). The default setting is 66. Press the right arrow to increase the value, left arrow to decrease the value, and ENTER to change units. Selecting a value for this option resets the top margin to 0, so the top margin must be redefined after this option is selected.

Horiz Forms

- **Left Mgr 0.00** (default). This sets the left margin for the forms. You must specify the left margin in 1/10 inch increments, from 0 to 13.1 inches. The default value is 0. Press the right arrow to increase the value, left arrow to decrease the value, and ENTER to change units. The margins will automatically adjust so that the left and right margins do not cross each other.
- **Right Mrg 13.2**. This sets the right margin for the forms. You must specify the right margin in 1/10 inch increments, from 0.1 to 13.2 inches. The default value is 13.2. Press the right arrow to increase the value, left arrow to decrease the value, and ENTER to change units. The margins will automatically adjust so that the left and right margins do not cross each other.

Autowrap

This parameter determines if text will wrap to the next line when the line of text exceeds the right margin.

- **No** (default). Any print data received past the forms width setting is discarded.
- **Yes**. An automatic carriage return and line feed is performed when data is received past the forms width setting.

CR

This option controls the action of the printer when it receives a Carriage Return code (hex 0D) from the host computer. If this feature is enabled, each time the printer receives a Carriage Return, it inserts an additional Line Feed code (hex 0A) into the data stream. Do not use this feature if the host computer sends line feeds to the printer.

- **= CR** (default). Does not insert an extra line feed after each carriage return.
- **= CR + LF**. If this feature is enabled, each time the printer receives a Carriage Return, it inserts an additional Line Feed code (hex 0A) into the data stream. (Do not use this feature if the host computer sends Line Feeds to the printer with each Carriage Return.)

LF

This parameter forces the printer to insert an automatic Carriage Return code into the data stream whenever a Line Feed code occurs. This can be used in most installations, but it is required if the host computer does not send carriage returns to the printer.

- **= LF** (default). Does not perform an automatic carriage return. The next print position will be the current print position of the next line.
- **= CR + LF**. Each time the printer receives a Line Feed, it inserts an additional Carriage Return code (hex 0D) into the data stream. This feature can be used in most installations, but it is required if the host computer does not send Carriage Returns to the printer.

FF

This parameter forces the printer to insert an automatic Carriage Return code into the data stream whenever a Form Feed code occurs. This can be used in most installations, but it is required if the host computer does not send carriage returns to the printer.

- = **FF** (default). Does not perform an automatic carriage return. The next print position will be the current print position of the next form.
- = **CR + FF**. Performs an automatic carriage return. The next print position will be print position 1 of the next form.

Unsolicited Rpt

This option enables or disables Printer Device Status Reports to be sent to the host when a reportable status or error condition has occurred.

- **No** (default). Disables all unsolicited status reports from the printer.
- **Small**. Enables brief unsolicited status reports and sends an extended status report to the host.
- **Big**. Enables extended, unsolicited status reports and sends an extended status report to the host.

Print Mode Opt

When enabled, this option affects the SPI, SHS, and DECShORP commands. The printer will no longer be forced into these commands and print speed improves significantly when in portrait orientation. For SHS and DECShORP, the character size will change with the selected pitch. In addition, SGR attributes such as bold, crossed-out, and italics, will be done in print mode with greater efficiency.

- **Enable** (default). Enables the print mode option.
- **Disable**. Disables the print mode option. This provides compatibility with older LG printer products.

Plot Mode Opt

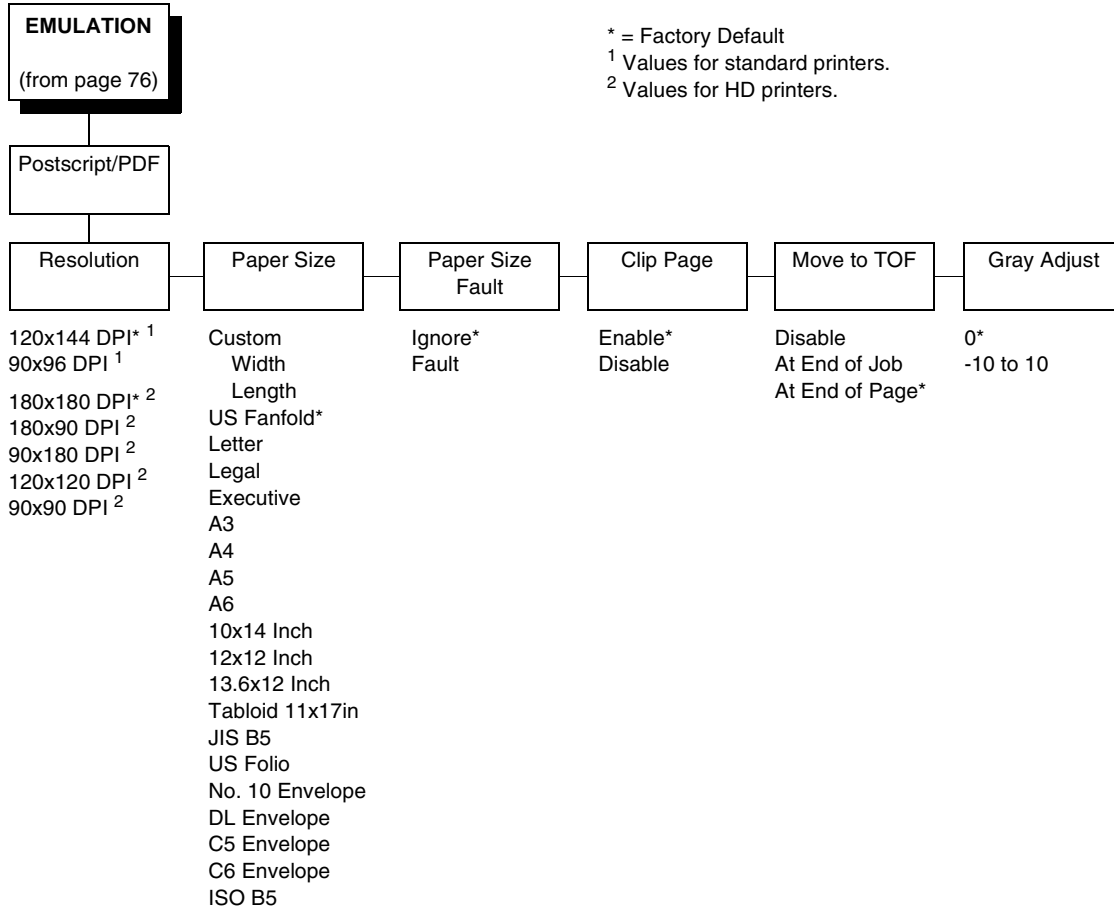
When enabled, this option will plot with greater efficiency, particularly with respect to the Postnet barcode. Postnet is printed in the same density as the current print mode font so that reverse motion will be inhibited when possible.

- **Enable** (default). Enables the print mode option.
- **Disable**. Disables the print mode option. This provides compatibility with older LG printer products.

I-2/5 Guard Bars

- **Enable** (default). Horizontal guard bars are printed above and below each Interleaved 2/5 bar code. This option only applies to Interleaved 2/5 bar codes.
- **Disable**. Interleaved 2/5 bar codes are printed normally, with no guard bars.

OpenPrint POSTSCRIPT/PDF Emulation



Postscript/PDF Interpreter

The Postscript/PDF data is handled by Ghostscript by Artifex, an interpreter compatible with the following:

- Portable Document Format (“PDF”) 1.0, 1.1, 1.2, 1.4, 1.5, and 1.6 as defined in the Portable Document Format Reference Manual, distributed by Adobe Systems Incorporated.
- PostScript (TM) Language Level 3, as defined in the PostScript Language Reference Third Edition (ISBN 0-201-37922-8), published by Addison-Wesley in mid-1999.

Ghostscript includes a set of 35 scalable outline fonts in PostScript Type 1 format, compatible in appearance and metrics with the fonts commonly distributed under the following names:

- Bookman (demi, demi italic, light, light italic)
- Courier ((plain, oblique, bold, bold oblique)
- Avant Garde (book, book oblique, demi, demi oblique)
- Helvetica (plain, oblique, bold, bld oblique narrow, narrow oblique, narrow bold, narrow bold oblique)
- Palatino (roman, italic, bold, bold italic)
- New Century Schoolbook (roman, italic, bold, bold italic)
- Times (roman, italic, bold, bold italic)
- Symbol
- Zapf Chancery (medium italic)
- Zapf Dingbats

The Ghostscript version used in the P7000 is 8.71.

Resolution

This parameter defines the default print resolution. This selection is used when either the print resolution is not defined by the data stream or if the print resolution defined by the data stream is not supported.

The following resolutions are available on OpenPrint P7000 STD products:

- **120x144 DPI** (default)
- **90x96 DPI**

The following resolutions are available on OpenPrint P7000 HD products:

- **180x180 DPI** (default)
- **180x90 DPI**
- **90x180 DPI**
- **120x120 DPI**
- **90x90 DPI**

Paper Size

This parameter allows selection of available paper sizes. This parameter should be set according to the dimensions of the physical paper installed in the printer. This parameter will be used to determine the TOF and is expected to change when new media is installed. Available options include:

- **Custom.** Sets a user-defined paper size.
 - **Width.** Defines the paper width. The range is 1" to 15" in 0.1 inch increments. The default is 13.6 inches.
 - **Length.** Defines the paper length. The default is 11 inches. Three length options are available:
 - Inches.** Defines the length in inches. The range is 1" to 24" in 0.1 inch increments.
 - 1/6 Inch Lines.** Defines the length in 1/6 inch lines. The range is 6 to 144 lines.
 - 1/8 Inch Lines.** Defines the length in 1/8 inch lines. The range is 8 to 192 lines.

To set a custom length, use the appropriate menu that allows for selection of the exact paper length to avoid loss of top-of-form (i.e., if using a 12" paper, select either the "Inches" menu set to 12" or the "1/6 Inch Lines" menu set to 72. However, if using a 11 2/3 inch paper length, the "1/6 Inch Lines" menu must be used (set to 70) since that is exactly 11 2/3 inches. If the "Inches" menu is used, the closest values would be 11.6 or 11.7 inches which are not exact.

The printer will indicate which of the three length menus was used by showing that submenu first when entering the "Length" menu. The configuration printout will also show the length menu used.

- See Table 3 for paper size options and actual sizes.

Table 10. Paper Size Options and Actual Size

Paper Size	Actual Size
US Fanfold	13.6 x 11 in
Letter	8.5 x 11 in
Legal	8.5 x 14 in
Executive	7.3 x 10.5 in
A3	11.7 x 16.5 in
A4	8.3 x 11 2/3 in
A5	5.8 x 8.3 in
A6	4.1 x 5.8 in
10x14 Inch	10 x 14 in

Table 10. Paper Size Options and Actual Size

Paper Size	Actual Size
12x12 Inch	12 x 12 in
13.6x12 Inch	13.6 x 12 in
Tabloid 11x17in	11 x 17 in
JIS B5	7.2 x 10.1 in
US Folio	8.5 x 13 in
No. 10 Envelope	4.1 x 9.5 in
DL Envelope	4.3 x 8.7 in
C5 Envelope	6.4 x 9 in
C6 Envelope	4.5 x 6.4 in
ISO B5	6.9 x 9.8 in

NOTE: When host jobs have page sizes that do not match the Paper Size parameter, the printer will behave based on the Paper Size Fault, Clip Page, and Move to TOF parameters.

Paper Size Fault

If a page is sent to the printer with dimensions that do not match the printer, then the following will happen based on the Paper Size Fault menu selected.

- **Ignore** (default). The page will print and the paper size length will be ignored. However, the width will be clipped according to the front panel width setting.
- **Fault**. The printer enters a fault state and goes offline. The user will need to either clear the fault and continue, or load new media and change the Paper Size menu selection. Once the printer is back online, printing will resume.

Clip Page

This menu defines the action when a page is sent to the printer with a length that is longer than the selected paper size length.

- **Enable** (default). The page will be clipped at the paper size length. In cases where the sent page is longer than the paper size length, the "Move to TOF" menu setting has no effect since the page is clipped at the TOF position.
- **Disable**. The page will not be clipped and printing continues on the next page. The action taken by the printer when printing of the page completes is determined by the Move to TOF menu.

NOTE: Page clipping at paper size width is always enabled to protect against printing on the platen.

Move to TOF

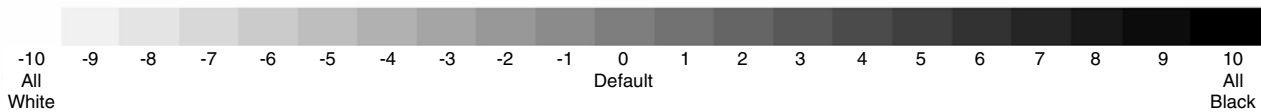
When the page length given does not match the printer, the printer driver will have to determine how the TOF is kept relative to each page printed. The following menu options are available through the front panel and the driver:

- **Disable.** Only when the FF key is pressed.
- **At End of Job.** After the Current Job.
- **At End of Page** (default). After each Page Printed.

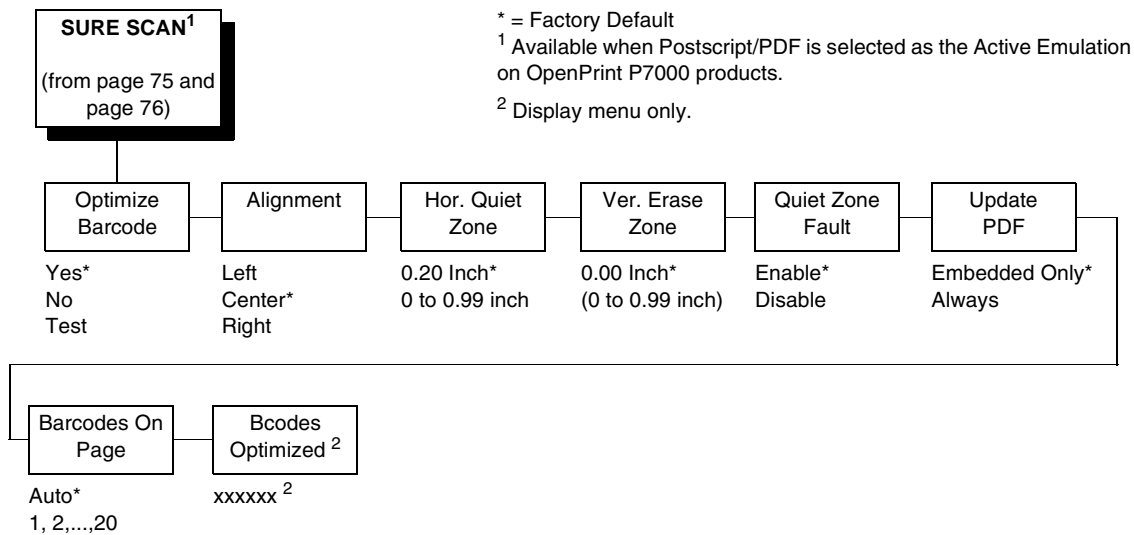
Gray Adjust

This menu adjusts the darkness of the gray elements on the page by gradually reducing or increasing the amount of dots that are placed in the halftone patterns. Pure white and black colors are not affected by setting.

The menu ranges from -10 to +10. The default value is 0.



OpenPrint SURE SCAN Menu



Optimize Barcode

Defines whether the barcode optimization feature is active.

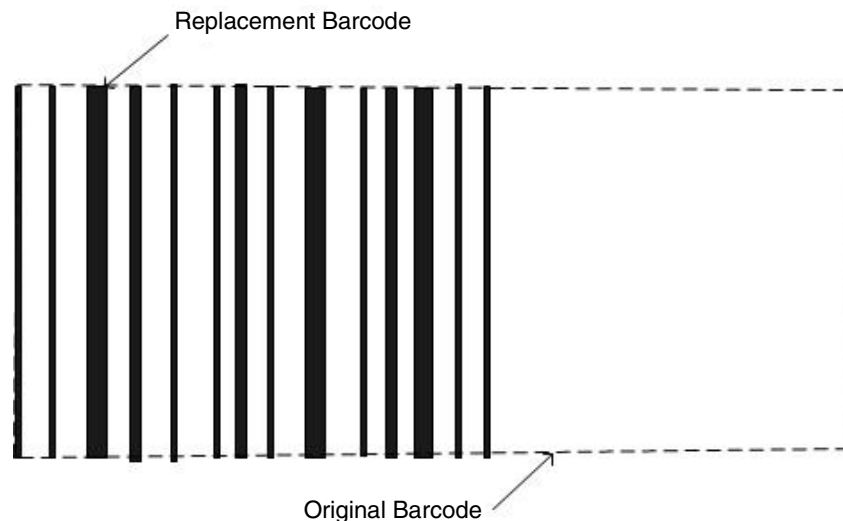
- **Yes** (default). Activates the barcode optimization feature.
- **No**. Deactivates the barcode optimization feature.
- **Test**. Boxes will print around all barcodes that are detected and optimized. This provides a simple method to confirm that the software correctly detects and optimizes all the barcodes on any given form.

NOTE: Barcodes will not optimize at densities of 96 dpi or less. For densities with one dimension more than 96 and one 96 or less, barcodes will only replace in one orientation. For instance, 180x90 picket fence barcodes will be optimized and 90x180 ladder barcodes will be optimized.

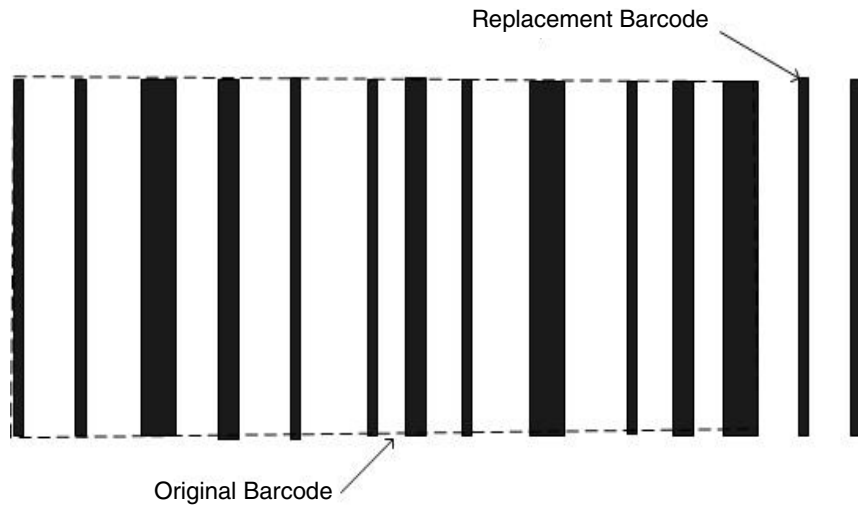
Alignment

Defines how the optimized replacement barcode will be positioned with regard to the original barcode position if no obstacles exist to this placement. It defines the first attempted position of the replacement barcode. If the first attempted position causes a replacement barcode to interfere with any other form elements (text, graphics, or dots), the replacement barcode automatically adjusts away from these interfering elements until requested horizontal quiet zones are observed. Selections for this menu are as follows:

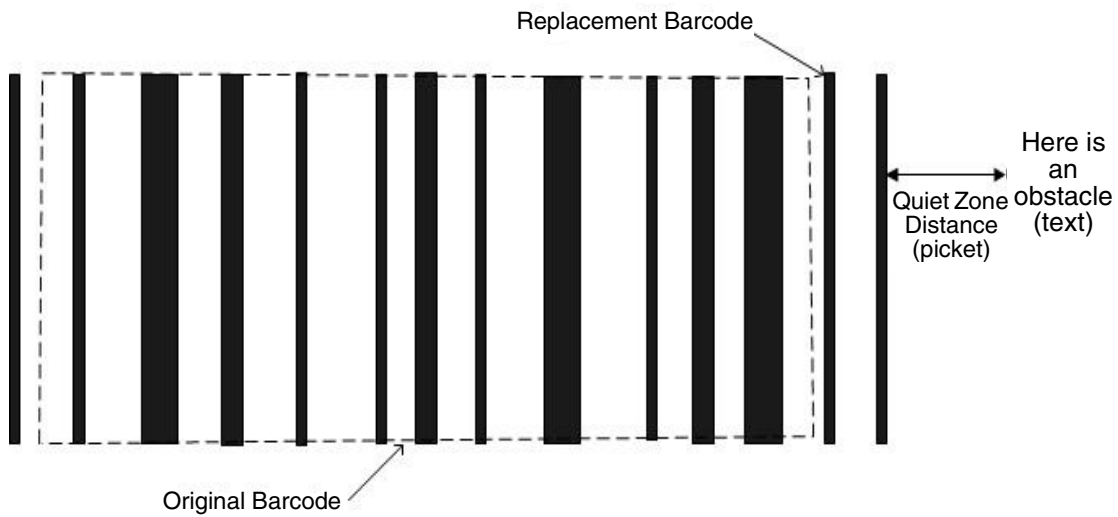
- **Left**. The first attempted position of the leftmost bar of the replacement barcode will be the same position as the leftmost bar of the original barcode. For instance, if the replacement barcode is smaller than the original barcode, it will be placed as follows:



If the replacement barcode is larger than the original barcode, the replacement barcode will begin at the left edge of the original barcode and expand beyond the right edge.

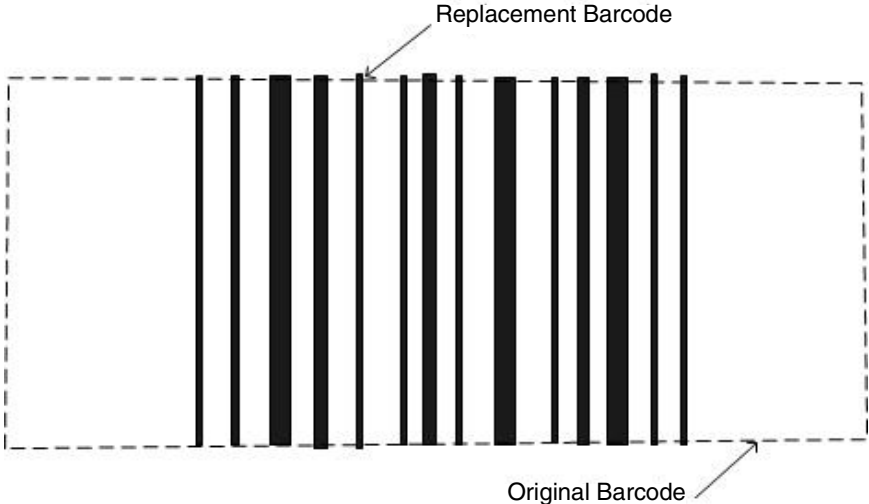


Any form elements (text, graphics, or dots) immediately to the right of the original barcode can force this first attempted placement to be modified. The replacement barcode will shift left to avoid obstacles on the right provided that there are also no obstacles on the left.

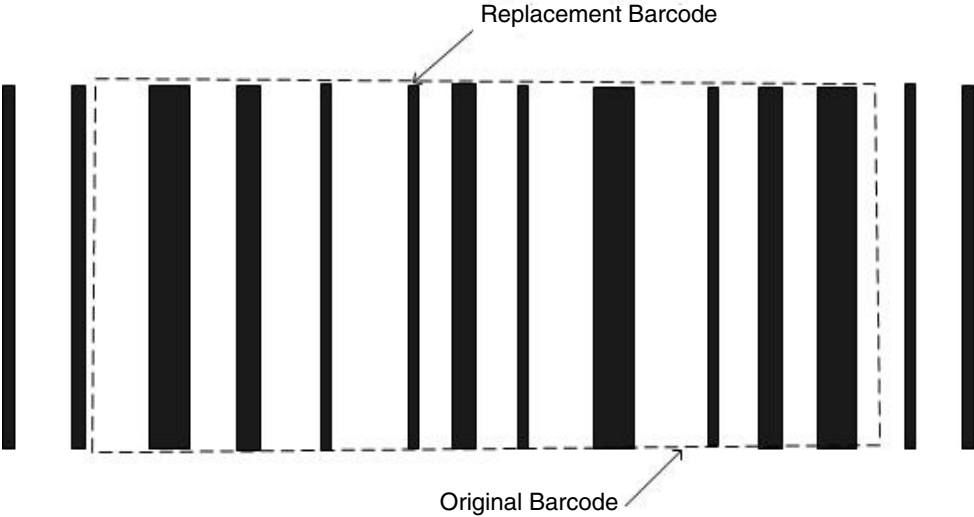


- **Center** (default). The first attempted position of the center bar of the replacement barcode will be the same position as the center bar of the original barcode.

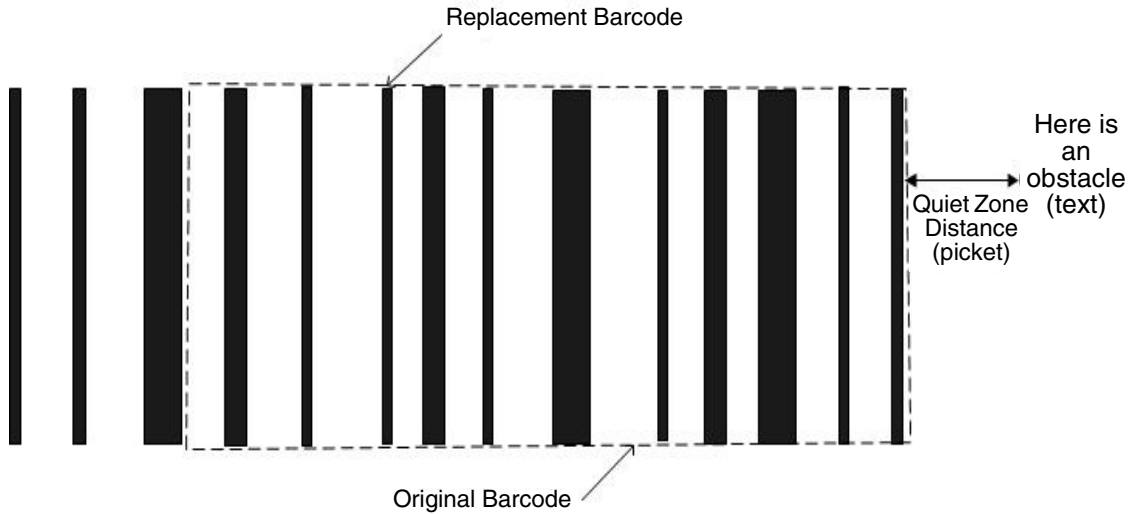
If the replacement barcode is smaller than the original barcode, it will be replaced as follows:



If the replacement barcode is longer than the original barcode, it will still be centered, but it will extend beyond the end of the original barcode on both the left and the right.

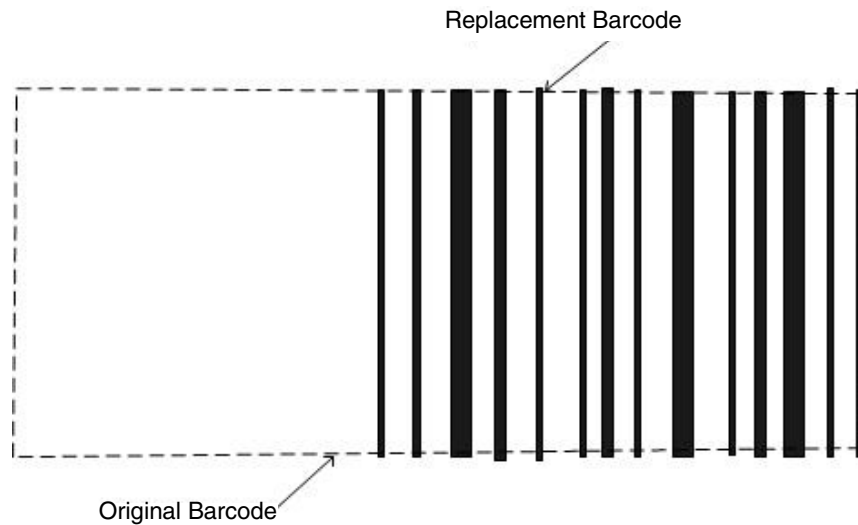


If form elements interfere with this placement on the right or the left, the barcode will automatically adjust away from these obstacles. Form obstacles may force a center-aligned barcode to look left or right aligned. For instance, in the below picture, a center-aligned barcode has text 0.2 inches away from the right edge of the original barcode. With a horizontal quiet zone of 0.2 inches, the resulting replacement barcode position is exactly the same regardless of whether center, right, or left alignment is chosen. Regardless of the first attempted position, the barcode will need to shift to the left until the horizontal quiet zone can be observed.



- **Right.** The first attempted position of the rightmost bar of the replacement barcode will be the same position as the rightmost bar of the original barcode.

For instance, if the replacement barcode is shorter than the original barcode it will be placed as follows:

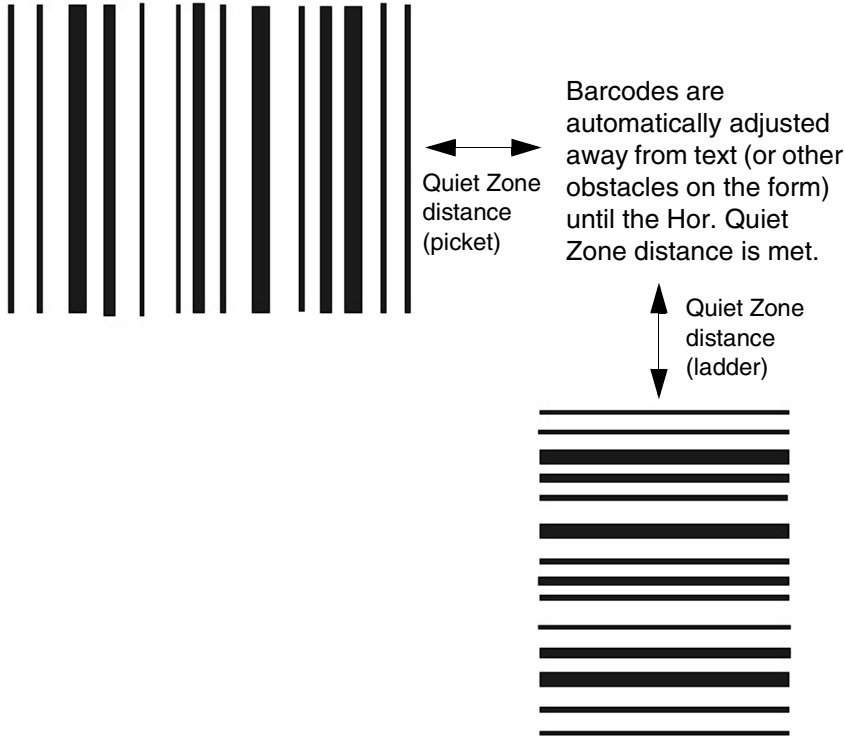


If the replacement barcode is larger than the original barcode, the replacement barcode will end at the right edge of the original barcode and extend past the left edge. Any form elements (text, graphics, or dots) immediately to the left of the original barcode, however, can force this first attempted placement to be modified. The replacement barcode will shift right to avoid obstacles on the left provided that there are also no obstacles on the right.

Hor. Quiet Zone

This menu defines the quiet zones (empty areas) width before and after the start/stop codes regardless of picket fence or ladder orientation. When positioning the barcode, the quiet zone is taken into account when detecting collisions with other elements (dots) on the form. If one of the horizontal quiet zones is violated, the barcode will automatically shift to the left or right (for picket fence orientation) or up or down (for ladder orientation) to remove the quiet zone violation.

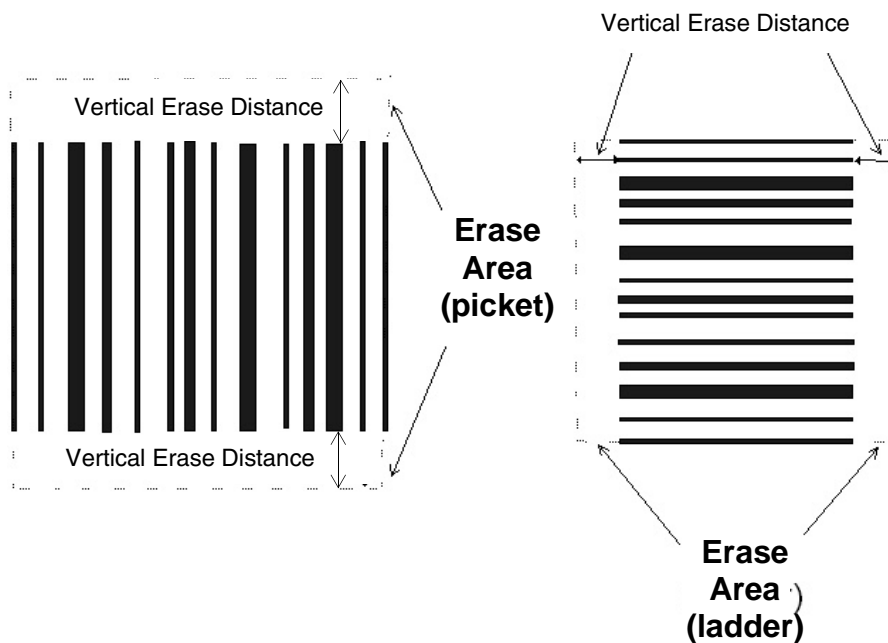
The width of the area can be defined between 0 and 0.99 inches in 0.01 inch increments. The default is 0.20 inches. This feature ensures that the replacement barcodes will be properly scanned.



Ver. Erase Zone

This menu defines the area above and below the bars that will be erased, regardless of picket fence or ladder orientation. It is used when the barcode has extraneous data beyond the bars that need to be deleted as it is being optimized.

The height of the area can be defined between 0 and 0.99 inches in 0.01 inch increments. The default is 0 inches (no empty space). This feature can be used to remove special attributes remainders of the original barcode such as a guard bar or line that borders the top and bottom of the bars. It can also be used to erase the original PDF if the user wants to force all PDFs to be optimized (see Update PDF on page 249). The PDF occupies more than 1/6 of an inch.



Quiet Zone Fault

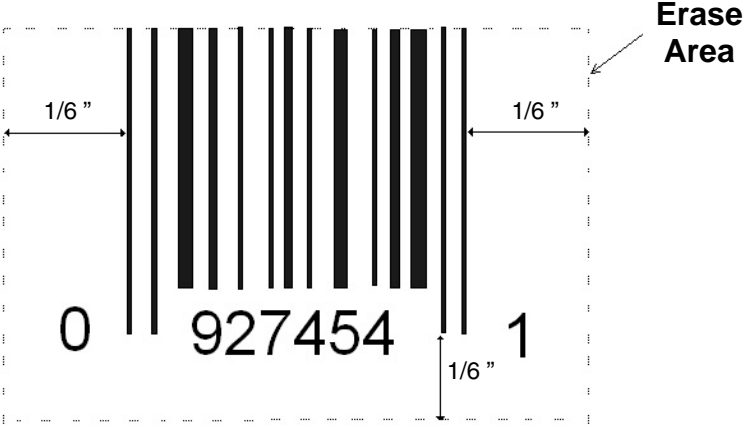
This menu defines whether a fault must be reported on the front panel LCD if the BCDOPT feature cannot print the replacement barcode without violating the quiet zone as defined in the "Hor. Quiet Zone" menu, where the width of the replacement barcode plus quiet zones is too large to fit the available white space on the page.

- **Enable** (default). If this fault occurs, reduce the quiet zone to see if the barcode fits.
- **Disable**. Quiet zone violations are not reported, but adjacent page elements could be drawn too close to replacement barcodes and possibly overlap.

Update PDF

There are two distinct cases with barcode PDFs. In the first case, the PDF is partially embedded in the barcode such that erasing the bars also erases the PDF. In the second case, the PDF is printed entirely above or below the barcode and is not disturbed by the barcode replacement.

Whenever the PDF is embedded in the barcode such that erasing the bars also erases the PDF, the embedded PDF will be automatically detected and replaced. An area surrounding the barcode will be erased to remove the portions of the former PDF that extended beyond the bounds of the original barcode. The erase area is shown in the figure below. Since embedded PDFs are automatically replaced, the Update PDF menu option has no effect on this type of PDF.



When the PDF is printed above or below the barcode, the behavior will depend on the Update PDF menu setting.

- **Embedded Only** (default). Embedded PDFs will not be replaced. This allows the user to keep the present PDF data and its font, etc.
- **Always**. PDFs will always reprint. For instance, since the original PDF will not be centered with respect to the replaced barcode, the user may want to always replace the PDF. When set to Always, an extra 1/6" is erased to remove the original PDF. If the original PDF is not fully erased, it is up to the user to increase the Ver. Erase Zone setting such that the original PDF will be completely erased prior to the replacement being printed.



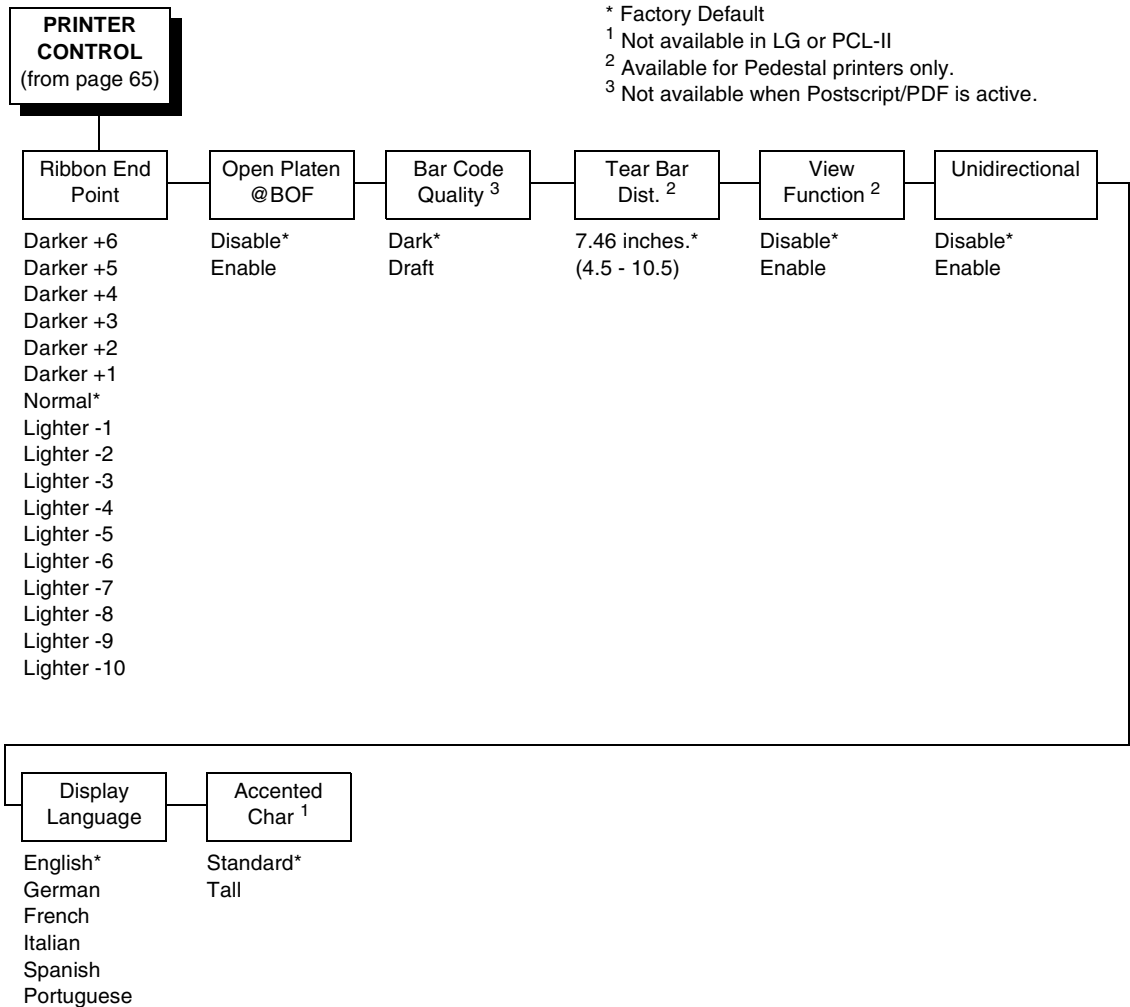
Barcodes on Page

This setting defines the number of barcodes that must be detected on the form. If the value is set to “Auto” (default), no particular number of barcodes are required to be detected. If the value is set to a number between 1 to 20, then the number of barcodes set is required to be detected on each form. If the printer detects fewer barcodes than the value set, the fault “x/y BARCODES / Not Found” is declared. x represents the number of barcodes not found, and y represents the Barcodes on Page value. Printing will not continue until the user clears this fault.

Bcodes Optimized

This is a display menu that continuously counts the number of barcodes that have been optimized since power-up. This statistic only resets to zero when the printer is powered off. This menu can be used as a diagnostic to check the number of barcodes optimized over a period of time or over a batch file.

PRINTER CONTROL Menu



* Factory Default
¹ Not available in LG or PCL-II
² Available for Pedestal printers only.
³ Not available when Postscript/PDF is active.

Ribbon End Point

This parameter adjusts the point at which the system will declare the ribbon as being expended. The life count will always be from 100% to 0%, but if a darker setting is selected 0% will be reached more quickly. If a lighter setting is selected, the system will extend the time it takes to reach 0%. The range of values are as follows:

- **Normal** (default)
- **Darker +1 through Darker +6**
- **Lighter -1 through Lighter -10**

NOTE: This value can be adjusted at any time and the display will automatically adjust to show the correct percentage relative to the new end point.

Open Platen @ BOF (Bottom of Form)

Some special forms have perforation areas that are too thick to pass through the print station. This parameter, when enabled, opens and closes the platen when the perforations move across the platen. When enabling this parameter, you must set the forms length to match the physical distance between perforations.

Bar Code Quality

Determines the bar code resolution for all emulations, except IPDS. (See “IPDS Emulation” on page 225 to set the bar code quality for IPDS.)

- **Dark** (default). Bar code resolution is set at 120 x 72.
- **Draft**. Bar code resolution is set at 60 x 72.

Tear Bar Dist. (Distance)

Allows fine and course adjustment of the tear bar position. For a pedestal model printer using the top paper exit, the default (7.46 inches) is used. You can specify 4.5 to 10.5 inches in .01 inch increments to accommodate variations in cover and form design.

View Function

- **Disable** (default). Disables the View Function which allows you to press the VIEW/EJECT key to move the last data printed to the tractor area for viewing.
- **Enable**. Enables the View Function.

NOTE: Default setting is Enable for Indian language printers.

Unidirectional

The Unidirectional feature affects both print quality and printing speed. By setting this feature, you can configure the printer to print in both directions of the shuttle sweep (bidirectional), or to print in one direction only (unidirectional).

- **Disable** (default). The printer will print all data in both directions of the shuttle sweep (bidirectional printing). This choice produces higher printing speed.
- **Enable**. The printer will print all data in only one direction of the shuttle sweep (unidirectional printing). Although enabling this feature reduces print speed, it enhances the vertical alignment of dots and produces cleaner, sharper barcodes and text.

Display Language

This parameter chooses the language that will appear on the LCD: English, German, French, Italian, Spanish, or Portuguese.
The factory default is English.

Accented Char

Selects whether the accented characters are standard or tall. See Figure 22 for an example. Selecting tall will slow print speed and may cause the printer to back up during printing.

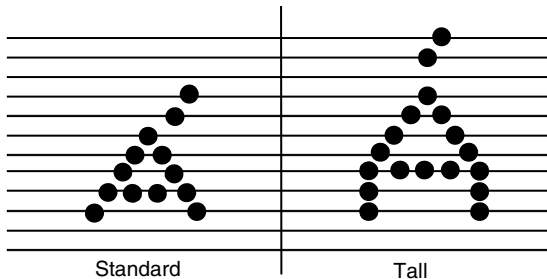
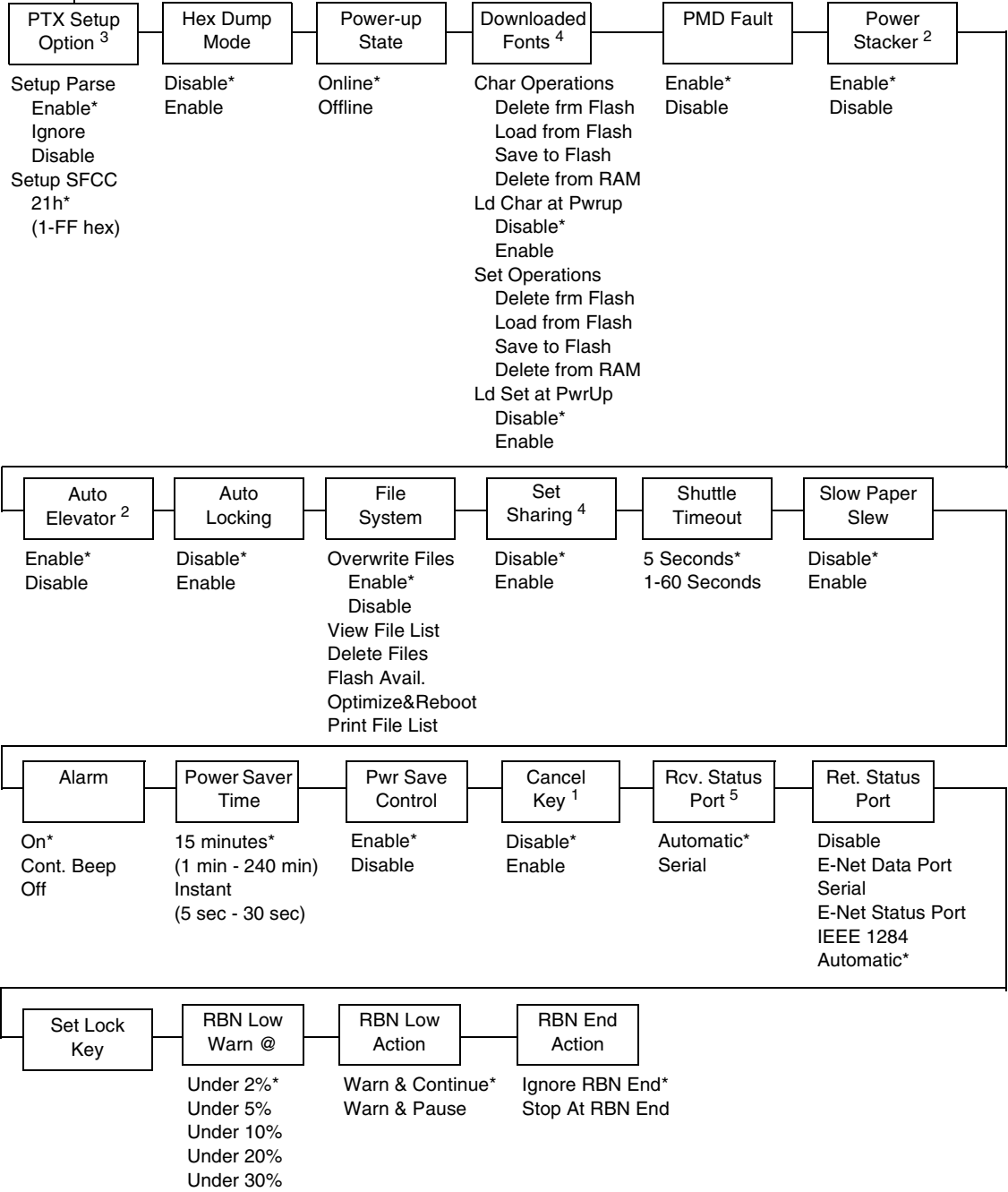


Figure 22. Accented Characters

ADVANCED USER Menu

ADVANCED USER
(from page 65, 67, 69, 71, 73, 75, and 76)

- * = Factory Default
- ¹ If you have the CT option, Enable is the default value.
- ² If installed
- ³ Not available in PCL-II
- ⁴ Not available in LG or PCL-II
- ⁵ Available for OpenPrint P7000 HD products only.



PTX Setup Option

Selects the Special Function Control Code for the PTX_SETUP command and functions.

- **Setup Parse.** Disables or enables the PTX_SETUP command.
- **Setup SFCC.** Allows you to choose the hex value of the ASCII character you wish to use as the SFCC for the PTX_SETUP command. Valid hex values are 01-FF. The default value is hex 21, which corresponds to the “!” character.

Hex Dump Mode

A hex code printout (or hex dump) translates all incoming data to hexadecimal equivalents. A hex dump lists each ASCII data character received from the host computer, together with its corresponding two-digit hexadecimal code. Hex dumps can be used to troubleshoot some types of printer data reception problems. The options include:

- **Disable** (default)
- **Enable**

Figure 26 on page 285. shows a hex dump sample.

Power-Up State

- **Online** (default). The printer powers up in the online state.
- **Offline.** The printer powers up in the offline state.

NOTE: This option is not available in the PCL-II or LG emulation.

Downloaded Fonts

Allows you to download a substitution table to replace any character in the current character set with a different character in the same font.

- **Char Operations.** Allows you to delete a character from flash, load a character from flash, save a character to flash, and delete a character from RAM.
- **Ld Char at Pwrup.** Allows you to disable or enable loading a character at power up.
- **Set Operations.** Allows you to delete a character set from flash, load a character set from flash, save a character set to flash, and delete a character set from RAM.
- **Ld Set at PwrUp.** Allows you to disable or enable loading a character set at power up.

NOTE: This option is not available in the PCL-II or LG emulation.

PMD (Paper Motion Detection) Fault

- **Enable** (default). In the event of a paper jam, an audible alarm beeps, “CLEAR PAPER JAM” appears on the message display, and the printer stops printing.
- **Disable**. You should disable PMD only if special paper requires it.

CAUTION

Once PMD is disabled, paper motion is not monitored. If a paper jam occurs, the printer ignores the condition and continues to print, possibly causing damage to the printer.

Power Stacker

This parameter allows you to enable or disable the power paper stacker (provided this option is installed).

Auto Elevator

This parameter exists only on printers with the power paper stacker installed. The power stacker has a sensor which detects paper movement and raises the stacker as the printed paper stack grows. If the printer has been printing for three minutes continually and the sensor has not detected any growth in the paper stack, the stacker raises itself 1/4 inch automatically.

- **Enable** (default). The automatic elevator on the power stacker operates normally.
- **Disable**. The stacker does not raise automatically every three minutes and is entirely dependent on the sensor. Disable is used with extremely high-quality print jobs that take a long time to print.

Auto Locking

- **Disable** (default). The ENTER key must be locked manually.
- **Enable**. The printer automatically locks the ENTER key five minutes after the last front panel key press.

File System

- **Overwrite Files**. Allows you to prevent files from being overwritten by disabling the overwrite function.
- **View File List**. Displays the list of files in the file system. Pressing the DOWN key displays the file size.
- **Delete Files**. Displays the list of files in the file system. Pressing the ENTER key deletes the file displayed on the front panel.
- **Flash Avail**. The amount of flash available for the user to save or download files into flash.
- **Optimize&Reboot**. Reclaims flash space from deleted flash files. After pressing ENTER, wait for the printer to reboot.

NOTE: When the Optimize&Reboot option is executed, the message, “Optimizing Flash Files” does not display before printer rebooting takes place.

- **Print File List.** Prints a summary of the files stored in flash memory and several statistics on File System usage.

IMPORTANT

Do not turn the printer off until it has completely rebooted and is either back online or offline.

Set Sharing

This option allows character sets to be shared between the active LP+ protocol and the active IGP emulation. If CT is installed and active, choosing a character set in the CT activates that character set in the active IGP and LP+ protocols. (These changes will not be visible on the front panel.) If Set Sharing is not selected, only the LP+ will share the CT's character set.

Switching host interfaces from CT to Centronics when the Set Sharing is enabled will cause the LP+ character set to be activated to the same character set of the active IGP, if possible.

In a non-CT system, changing characters sets in LP+ causes the active IGP to change to the same character set if the selected set exists in IGP. If the active IGP has no access to the selected set, no changes are made. Selecting a new character set in the active IGP causes the LP+ to change to the same character set if the selected character set exists in the active LP+ protocol. Not all sets are shared between emulations in the Standard group of character sets. As a result, selecting a set in the Standard group of LP+ or IGP emulation may or may not cause the other emulation to have the same set.

NOTE: The Set Sharing front panel option has no effect on the LP+ and CT/LP+ builds. The option only applies to the builds with IGP.

This option is not available in the PCL-II or LG emulation.

Shuttle Timeout

The amount of time the shuttle continues moving after no data is received. If your host is slow, setting the number to a higher value will prevent the printer from spending time shuttling up and down between data bursts.

Slow Paper Slew

- **Disable** (default). The paper will slew and stack paper at maximum speed.
- **Enable.** Causes the paper to stack at a slower rate. This ensures that certain forms will stack neatly.

Alarm

- **On** (default). An audible alarm sounds (3 beeps) when a fault occurs, such as a paper jam.
- **Cont. Beep.** A continuous audible alarm sounds when a fault occurs, which can be stopped by pressing CLEAR.
- **Off.** No audible alarm will sound.

Power Saver Time

The time interval you specify for this parameter sets the amount of idle time before the printer goes into Power Saver mode. When Instant is chosen, the printer goes into Power Saver mode as soon as it is able to stop the shuttle properly. The time allotted to perform this function depends upon the shuttle timeout value which can be set in the menu.

NOTE: Power Saver Mode will not be shown on the control panel even though the function still exists. Sending a print job to the printer will turn off Power Saver mode.

Pwr Save Control

Allows you to enable or disable the Power Save (Energy Star) mode.

- **Enable** (default). Allows you to enable the Power Save (Energy Star) mode.
- **Disable**. Allows you to disable the Power Save (Energy Star) mode.

Cancel Key

- **Disable** (default)
- **Enable**. The CANCEL key may be used to clear all data in the print buffer without printing any of the data.

Rcv. Status Port

This option defines the interface being used to receive the emulation status command.

- **Automatic** (default). When selected, the status command is sent to the printer with the print data through the active host interface.
- **Serial**. When selected, the status command is sent to the printer through the serial interface regardless of the active host interface.

Ret. Status Port

This option selects the port for the Return Status Commands (i.e., ~STATUS (PGL) and ~HS (ZGL)) to send the status data back to the Host.

The options are Automatic (factory default), Serial, E-NET Stat Port, IEEE 1284, Disable, and E-NET Data Port.

Set Lock Key

Normally, to lock or unlock the printer menu, the UP and DOWN keys are pressed at the same time. The Set Lock Key parameter lets you choose different keys to lock or unlock the printer menu. You may choose almost any group of keys as the new lock and unlock keys. You cannot use the ENTER key or any key combinations which are already used for another function. There is no limit to how many keys you can select.

To set the new lock key, follow these steps:

1. Work your way through the configuration menu until the display reads "Set Lock Key" (follow the menu structure on page 254).
2. Press ENTER. The display reads, "Select a new lock key."
3. Press the combination of keys you want to be the new lock key. Make sure you press all keys selected at the same time.
4. If the selection is valid, the display will read, "Enter the new lock key again." If the selection is invalid, the display will read, "Invalid key selection." Return to step 2 and start over.
5. Press the same combination of keys a second time. If the new lock key combination is entered again correctly, the display will read, "Lock key has been changed." If it was entered incorrectly, the display will read "Verification failed." Start over at step 2.
6. After entering the new lock combination successfully, press the ON LINE key to put the printer back online.

NOTE: The new lock combination will remain even if the printer is powered off and back on.

RBN Low Warn @

This option allows the user to select the Ribbon Life value at which point the printer will declare a ribbon low condition and display the "RIBBON UNDER XX% / Change RBN Soon" warning message. The default is Under 2%. See "RBN Low Action" below for details of how the printer behaves once a ribbon low condition is reached.

The values are Under 2% (default), Under 5%, Under 10%, Under 20%, and Under 30%.

RBN Low Action

This menu determines how the printer behaves once a ribbon low condition is reached.

- **Warn & Continue** (default). Once a ribbon low condition is reached the printer beeps and displays the "RIBBON UNDER XX% / Change RBN Soon" warning message. Printing will continue without interruption. The warning message can be cleared by pressing the ONLINE/Clear button, however the message will persist again in two minutes. This action will continue until a ribbon out (ribbon life reaches 0%) condition occurs.
- **Warn & Pause**. This setting is similar to the Warn & Continue selection with one exception. When a ribbon low condition is reached the printer will still display the "RIBBON UNDER XX%/Change RBN Soon" warning message, however the printer will stop printing. This is meant to get the user's attention. To resume printing the user must press the ONLINE/ Clear key.

NOTE: Printing will only stop on the first occurrence of a ribbon low condition. Once the user clears the warning message, subsequent warnings will display the warning message but printing will continue.

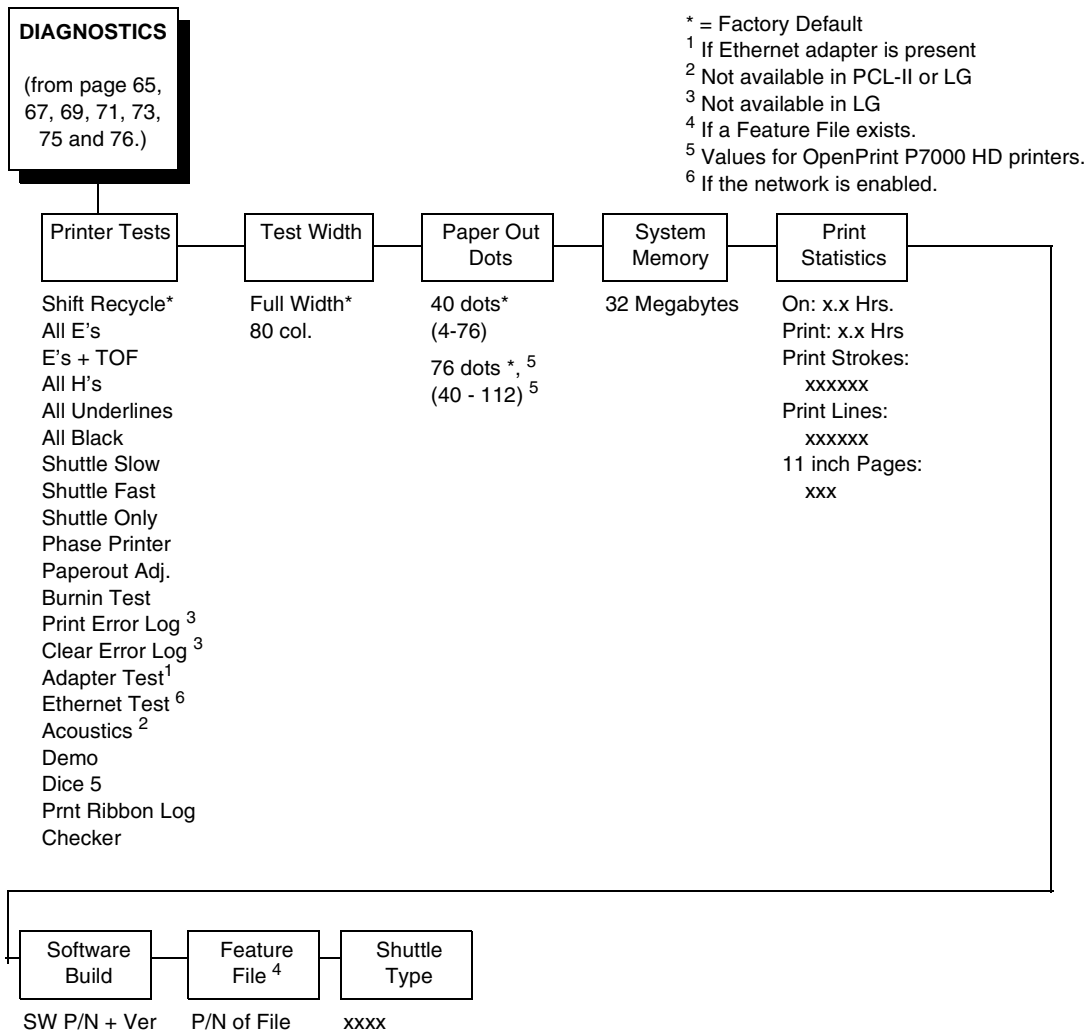
RBN End Action

This menu allows the user to override the normal ribbon low warning and ribbon out conditions.

- **Stop At RBN End** (default). When this factory default option is selected the printer displays a warning message when a ribbon low condition is reached and display a ribbon out fault when ribbon life reaches 0%.
- **Ignore RBN End**. When this menu option is selected it overrides the ribbon low and ribbon out conditions, i.e. no warning or fault messages is displayed and printing continues even after ribbon life reaches 0%. However, once the ribbon life reaches an excess wear condition as indicated by the fault message "EXCESS RBN WEAR / Install New RBN", printing will stop and the user must install a new ribbon before printing can resume.

NOTE: The excess ribbon wear is set below the "Lighter -10" Ribbon End Point setting.

DIAGNOSTICS Menu



Printer Tests

These tests are used to check the print quality and operation of the printer.

NOTE: Your authorized service representative will typically run the tests. They are described in more detail in the *Maintenance Manual*.

- **Shift Recycle.** A sliding alphanumeric pattern which identifies missing or malformed characters, improper vertical alignment, or vertical compression.
- **All E's.** A pattern of all uppercase E's which identifies missing characters, misplaced dots, smeared characters, improper phasing problems, or light/dark character variations.
- **E's + TOF.** A pattern of all E's followed by a form feed to the next page top-of-form, which identifies paper motion or feeding problems.

- **All H's.** A pattern of all uppercase H's used to detect missing characters, misplaced dots, smeared characters, or improper phasing.
- **All Underlines.** An underline pattern useful for identifying hammer bank misalignment.
- **All Black.** A condition where all dot positions are printed, creating a solid black band.
- **Shuttle Slow.** Verifies proper operation by exercising shuttle and ribbon motion at low speed.
- **Shuttle Fast.** Verifies proper operation by exercising shuttle and ribbon motion at fast speed.
- **Shuttle Only.** Exercises only the shuttle at fast speed.
- **Phase Printer.** Checks for wavy print. The initial phase value is set in the factory. Run the test and check the quality. (The phase value prints on the left margin.) If the print looks too wavy, change the Phase Value parameter while the test is running. While the phase printer test runs, press the DOWN key. To change the value, press the PREV or NEXT key until the desired value displays and then press ENTER.
- **Paperout Adj..** Verifies the current Paper Out Dots setting, which determines where the last line of text will print when there is a paper out condition. Setting this parameter correctly prevents printing on the platen.
- **Burnin Test.** Reserved for factory use.
- **Print Error Log.** Prints the current log of errors. Most non-routine faults (ribbon stall, voltage faults) are stored in the error log.
- **Clear Error Log.** Clears entries in the error log.
- **Adapter Test.** Prints the Ethernet adapter statistics stored on the Ethernet adapter (if present).
- **Ethernet Test.** Prints the Ethernet statistics stored on the Ethernet (if present).
- **Acoustics.** A particular test pattern that is used to measure acoustics.
- **Demo.** Demonstration of various print attributes.
- **Dice 5.** Pattern used to measure print density.
- **Prnt Ribbon Log.** Prints log of cartridge installed in the printer.
- **Checker.** For factory use. This pattern helps identify marginal printhead elements, quality of edge sharpness, and uneven print quality.

Test Width

Set this parameter to run the self-tests at full width or 80 columns.

Paper Out Dots

CAUTION Only authorized service representatives should set this parameter.

This parameter is used to adjust the paper out distance from the perforation; you can specify where the last line on the page will print when there is a paper out condition. Setting this parameter correctly prevents printing on the platen.

System Memory

Displays the amount of RAM installed.

Print Statistics

You can view various printer statistics and refer to them for preventive maintenance purposes. Printer statistics accumulate continuously; they do not reset when you turn off the printer. All of the printer statistics are set to zero at the factory after burn-in testing.

- **On.** The cumulative time in hours the printer has been powered on. The range is 0 to 30,000 hours.
- **Print.** The cumulative time in hours the printer has actually been printing. The range is 0 to 30,000 hours.
- **Print Strokes.** The cumulative number of back-and-forth shuttle strokes the printer has printed during normal printer operation. The range is 0 to 2,147,483,647 shuttle strokes.
- **Print Lines.** The cumulative number of lines the printer has printed. The range is 0 to 2,147,483,647 print lines.
- **11 inch Pages.** The cumulative number of pages the printer has printed. The range in print pages is 0 to 2,147,483,647 total inches of paper movement divided by 11.
- **Poweron Pages.** The number of pages the printer has printed since power-up.

Software Build

Displays the part number and version of the printer firmware.

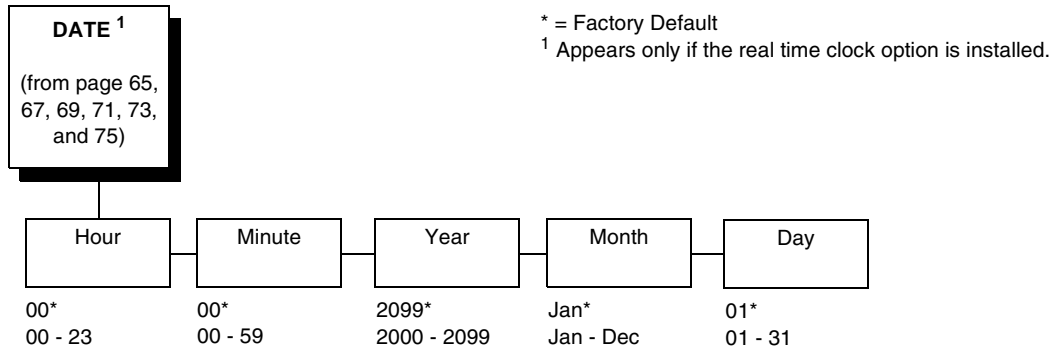
Feature File

Displays the part number of the file if one has been downloaded to the printer.

Shuttle Type

Displays the type of shuttle installed, i.e. 2000s, 1500, 1000, 500, or high definition.

DATE Menu



Hour

This option allows you to set the hour. The factory default is 00 and the range is from 00 to 23 hours.

Minute

This option allows you to set the minutes. The factory default is 00 and the range is from 00 to 59 minutes.

Year

This option allows you to set the year. The factory default is 2099 and the range is from the year 2000 to 2099.

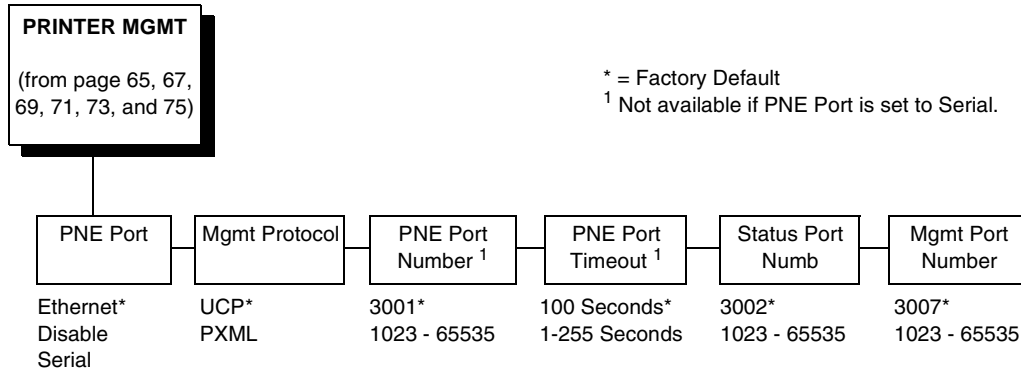
Month

This option allows you to set the month. The factory default is Jan and the range is from Jan to Dec.

Day

This option allows you to set the day. The factory default is 01 and the range is from 01 to 31 days.

PRINTER MGMT Menu



PNE Port

This menu selects which port the printer expects PNE to connect to, via Ethernet or Serial. The factory default is Ethernet. If the network is not enabled, the default is Disable.

Mgmt Protocol

Since PXML and UCP management protocols share the same Ethernet Port, only one can be active at a time. This menu selects the active Management Protocol Interface, either PXML or UCP. The factory default is UCP.

PNE Port Number

This menu selects the port number the printer expects the PNE to connect through. The factory default is 3001 and the range is from 1023 to 65535.

PNE Port Timeout

If the PNE has not communicated to the printer within a timeout period, the PNE session closes. The factory default is 100 seconds. The range is from 1 to 255 seconds.

Status Port Numb

This menu selects the port number the printer sends the emulation status. The factory default is 3001 and the range is from 1023 to 65535.

Mgmt Port Number

This menu selects the port number the printer expects the PXML or UCP to connect through. The factory default is 3007 and the range is from 1023 to 65535.

5

Interfaces

Overview

This chapter describes the host interfaces provided with the printer. The printer interface is the point where the data line from the host computer plugs into the printer. The interface processes all communications signals and data to and from the host computer. Plus, with the Auto Switching feature, you can configure the printer to accept several interfaces at the same time (see “Auto Switching Submenu” on page 88).

IMPORTANT

To comply with Electromagnetic Compatibility (EMC) regulatory requirements all electrical signal interface cables connected to this printer must be of a minimal quality level, be of the correct length, and be properly installed.

The RS-232 port and parallel port interface cables must meet the following specifications:

- **The cable design must be double shielded with a copper braid over an aluminum mylar foil and not just a conductive foil spiral wrapped around a drain wire.**
- **The shield must terminate coaxially (360 degrees) to a metal connector housing and not be terminated by just a simple wire lead.**
- **The cable length, including connectors, must be 3 meters or less.**
- **The cable connector anchor screws must be securely seated into the printer receptor hardware.**

For reference purposes only, two specific Centronics parallel port cables that have been tested and found to comply with these requirements are Belkin® part number F2A046-10 and Primelogic® part number PLU 2823224. Other electrically equivalent cables are acceptable.

This chapter describes the interfaces provided with the printer.

Standard Host Interfaces:

- IEEE 1284 parallel
- RS-232 Serial

Optional Host Interfaces:

- Ethernet 10/100BaseT
- Coax/Twinax (not available in Taiwan)
- RS-422 Serial (not available in Taiwan)

In addition to descriptions for the multi-line interfaces, this chapter also provides instructions for configuration of terminating resistors for the parallel interfaces.

Dataproducts Parallel Interface

**Table 11. Dataproducts Parallel Interface Connector Pin Assignments
(with a 50-pin AMP HDH-20 Data Cable Connector)**

Input Signals		Output Signals		Miscellaneous	
Signal	Pin	Signal	Pin	Signal	Pin
DATA LINE 1	19	READY	22	CABLE VERIFY	45, 46
Return	3	Return	6		
DATA LINE 2	20	ONLINE	21	GROUND	39
Return	4	Return	5		
DATA LINE 3	1	DEMAND/DATA REQ.	23		
Return	2	Return	7		
DATA LINE 4	41	PARITY ERROR	27		
Return	40		11		
DATA LINE 5	34				
Return	18				
DATA LINE 6	43				
Return	42				
DATA LINE 7	36				
Return	35				
DATA LINE 8	28				
Return	44				
DATA STROBE	38				
Return	37				
PAPER INSTRUCTION	30				
Return	14				
BUFFER CLEAR	31				
Return	15				

NOTE: Pins not listed are not connected.

The length of the data cable from the host computer to the printer must not exceed 40 feet (12 meters).

Dataproducts Parallel Interface Signals

Data Lines 1 through 8. Provides eight standard or inverted levels from the host that specify character data, plot data, or a control code. Data Line 8 allows access to the extended ASCII character set. You can enable or disable this line via the Data Bit 8 parameter on the Dataproducts submenu (see page 95).

Data Strobe. Carries a high true pulse from the host when data is ready. The data strobe remains high until the Data Request line goes false. The active edge of the strobe signal can be configured as leading, middle (default), or trailing.

Paper Instruction (PI). Carries a DVFU signal from the host with the same timing and polarity as the data lines.

Ready. Carries a high true signal from the printer when AC power and DC voltages are present, paper is loaded properly, and the printer is not in a check condition.

Online. Carries a high true signal from the printer when the Ready Line is true and the ON LINE key on the control panel has been pressed. When the printer is in online mode, it may accept data from the host.

Demand/Data Request. Carries a high true signal from the printer when the printer is ready to accept character data from the host. This signal changes to false shortly after the leading edge of the data strobe signal.

Cable Verify. Two pins on the interface connector are jumpered together to allow the user to verify proper installation of the interface connector.

Buffer Clear. A high true level from the host to indicate the printer should perform a reboot.

Parity Error. Always carries a low false signal from the printer indicating there is no parity error.

Centronics Parallel Interface

Table 12. Centronics Interface Connector Pin Assignments

Input Signals		Output Signals		Miscellaneous	
Signal	Pin	Signal	Pin	Signal	Pin
DATA LINE 1	2	ACKNOWLEDGE	10	CHASSIS GROUND	17
Return	20	Return	28		
DATA LINE 2	3	ONLINE	13	GROUND	30
Return	21	Return	28		
DATA LINE 3	4	FAULT	32	Spares	14
Return	22	Return	29		
DATA LINE 4	5	PAPER EMPTY	12	No Connection	34,35,
Return	23	Return	28		36
DATA LINE 5	6	BUSY	11	+5 Volts	18
Return	24	Return	29		
DATA LINE 6	7				
Return	25				
DATA LINE 7	8				
Return	26				
DATA LINE 8	9				
Return	27				
DATA STROBE	1				
Return	19				
PAPER INSTRUCTION	15				
Return	29				
PRIME	31				
Return	30				

The length of the data cable from the host computer to the printer must not exceed 15 feet (5 meters).

Centronics Parallel Interface Signals

Data Lines 1 through 8. Provides eight standard or inverted levels from the host that specify character data, plot data, or a control code. Data Line 8 allows access to the extended ASCII character set. You may enable or disable this line via the Data Bit 8 parameter on the Centronics submenu (see page 92).

Data Strobe. Carries a low true, 100 ns minimum pulse from the host that clocks data into the printer.

Acknowledge. A low true pulse from the printer indicating the character or function code has been received and the printer is ready for the next data transfer.

Online. A high true level from the printer to indicate the printer is ready for data transfer and the ON LINE key on the control panel has been activated. When the printer is in online mode, it may accept data from the host.

Paper Empty (PE). A high true level from the printer to indicate the printer is in a paper empty or paper jam fault.

Busy. A high true level from the printer to indicate the printer cannot receive data.

Prime. A high true level from the host to indicate the printer should perform a warm start (printer is reset to the power-up configuration values).

Paper Instruction (PI). Carries a CVFU signal from the host with the same timing and polarity as the data line.

Fault. A low true level from the printer indicates a printer fault.

IEEE 1284 Parallel Interface

The 1284 supports three operating modes, which are determined by negotiation between the printer and the host.

Compatibility Mode

This mode provides compatibility with Centronics-like host I/O (see Table 13). Data is transferred from the host to the printer in 8-bit bytes over the data lines.

Compatibility Mode can be combined with Nibble and Byte Modes to provide bidirectional communication.

Nibble Mode

Eight bits equals one byte. When a byte of data is sent to the printer, the eight bits are sent over eight data lines.

Some devices cannot send data over their eight data lines. To bypass this, the 1284 permits data to be sent as half a byte over four status lines. (Half a byte equals one nibble.) Two sequential four-bit nibbles are sent over the lines.

Data is transferred from printer to host in four-bit nibbles over the status lines, and the host controls the transmission.

Byte Mode

The printer and host send data to each other along eight data lines (one bit per line).

If bidirectional communication is supported by the printer and the host, the host will take control of the data transfer.

Signals

Table 13 lists each of the signals associated with the corresponding pins on the 1284 interface. Descriptions of the signals follow.

Table 13. 1284 Signals

Pin	Source of Data	Type of Mode		
		Compatible	Nibble	Byte
1	Host	nStrobe	HostClk	Host/Clk
2	Host/Printer	Data 1 (LSB)		
3	Host/Printer	Data 2		
4	Host/Printer	Data 3		
5	Host/Printer	Data 4		
6	Host/Printer	Data 5		
7	Host/Printer	Data 6		
8	Host/Printer	Data 7		
9	Host/Printer	Data 8 (MSB)		
10	Printer	nAck	PtrClk	PtrClk
11	Printer	Busy	PtrBusy	PtrBusy
12	Printer	PError	AckDataReq	AckDataReq
13	Printer	Select	Xflag	Xflag
14	Host	nAutoFd	Host Busy	HostAck
15		Not Defined		
16		Logic Grid		
17		Chassis Grid		
18	Printer	Peripheral Logic High		
19		Signal Ground (nStrobe)		
20		Signal Ground (Data 1)		
21		Signal Ground (Data 2)		
22		Signal Ground (Data 3)		
23		Signal Ground (Data 4)		
24		Signal Ground (Data 5)		
25		Signal Ground (Data 6)		

Table 13. 1284 Signals (continued)

Pin	Source of Data	Type of Mode		
		Compatible	Nibble	Byte
26		Signal Ground (Data 7)		
27		Signal Ground (Data 8)		
28		Signal Ground (PErr, Select, nAck)		
29		Signal Ground (Busy, nFault)		
30		Signal Ground (nAutoFd, nSelectIn, nInit)		
31	Host	nInit		
32	Printer	NFault	nDataAvail	aDataAvail
33		Not Defined		
34		Not Defined		
35		Not Defined		
36	Host	nSelectIn	1284 Active	1284 Active

NOTE: The length of the data cable from the host computer to the printer should not exceed 32 feet (10 meters).

Host Clock / nWrite. Driven by host. Data transferred from host to printer. When printer sends data, two types are available. If Nibble mode, signal is set high. If Byte mode, signal is set low.

Data 1 through Data 8. These pins are host-driven in Compatibility mode and bidirectional in Byte mode. They are not used in Nibble mode. Data 1 is the least significant bit; Data 8 is the most significant bit.

Printer Clock / Peripheral Clock / Interrupt. Driven by the printer. A signal from the printer indicating the character or function code has been received and the printer is ready for the next data transfer.

Printer Busy / Peripheral Acknowledge / nWait. Driven by the printer. Indicates the printer cannot receive data. (Data bits 4 and 8 in Nibble mode.)

Acknowledge Data Request / nAcknowledge Reverse. Driven by the printer. Indicates the printer is in a fault condition. (Data bits 3 and 7 in Nibble mode.)

Xflag. Driven by the printer. A high true level indicating the printer is ready for data transfer and the printer is on line. (Data bits 2 and 6 in Nibble mode.)

Host Busy / Host Acknowledge / NDStrobe. Driven by the host. Activates auto-line feed mode.

Peripheral Logic High. Driven by the printer. When the line is high, the printer indicates all of its signals are in a valid state. When the line is low, the printer indicates its power is off or its signals are in an invalid state.

nReverse Request. Driven by the host. Resets the interface and forces a return to Compatibility mode idle phase.

nData Available / nPeripheral Request. Driven by the printer. Indicates the printer has encountered an error. (Data bits 1 and 5 in Nibble mode.)

1284 Active / nAStrobe. Driven by the host. A peripheral device is selected.

Host Logic High—Driven by the host. When set to high, the host indicates all of its signals are in a valid state. When set to low, the host indicates its power is off or its signals are in an invalid state.

nInit —Resets init interface from the host.

Terminating Resistor Configurations

V6 Controller Board

For parallel interface configurations, the printer is equipped with 470 Ohm and 1K Ohm terminating resistors on the controller board. These are suitable for most applications. See Figure 23.

If the standard terminating resistor pack is not compatible with the particular interface driver requirements of the host computer, other RP1 and RP2 values may be required. 220 Ohm and 330 Ohm alternate terminating resistors are provided with the printer. If you install the 220 Ohm resistor, you must also install the 330 Ohm resistor. Possible terminating resistor combinations are shown below.

Configuration	RP1	RP2
Factory Default	470 Ohm	1K Ohm
Alternate	220 Ohm	330 Ohm

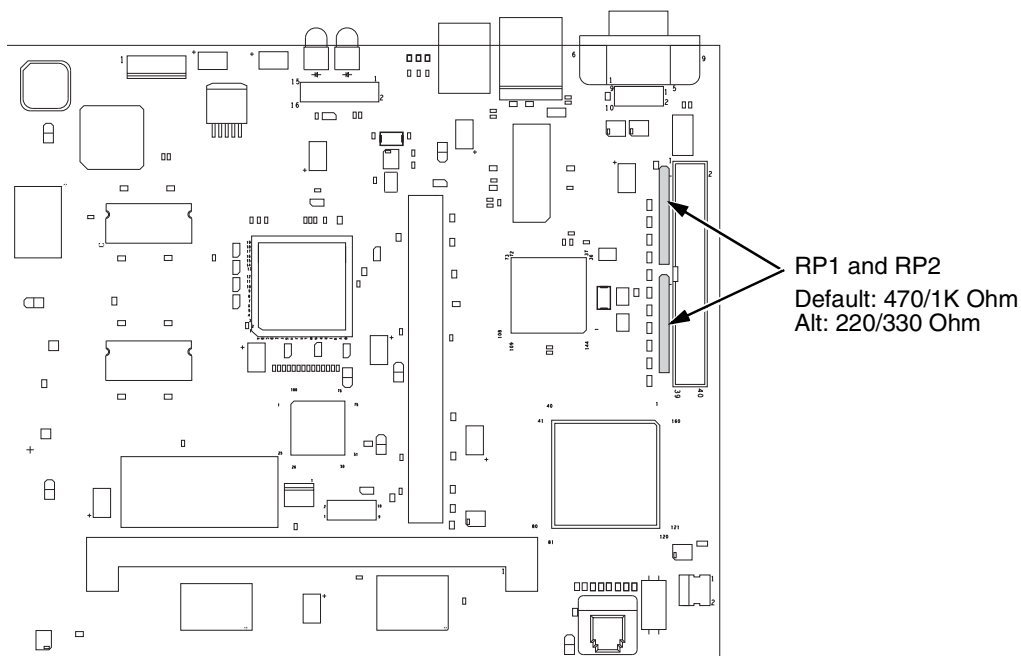


Figure 23. Terminating Resistors, V6 Controller Board

Removal And Installation

The procedure for removing and installing terminating resistors is provided in your *Maintenance Manual*.

CAUTION This is an involved maintenance procedure. To avoid damage to the equipment, only a trained technician should perform this procedure.

RS-232 And RS-422 Serial Interfaces

NOTE: The RS-232 and RS-422 serial interface circuit characteristics are compatible with the Electronic Industry Association Specifications EIA-232-E and EIA-422-B.

The RS-232 and RS-422 serial interfaces enable the printer to operate with bit serial devices that are compatible with an RS-232 controller. The input serial data transfer rate (in baud) is selectable from the printer's control panel. Baud rates of 600, 1200, 2400, 4800, 9600, 19200, 38400, 57600, and 115200 baud rates are available.

NOTE: If you select a baud rate that is greater than 19200, you may need to use RS-422 to prevent data loss.

The length of the data cable from the host computer to the printer must not exceed 50 feet (15 meters) for RS-232 or 4000 feet (1220 meters) for RS-422. (A copper conductor, twisted-pair telephone cable with a shunt capacitance of 16 pF/foot [52.5 pF/meter] terminated in a 100 ohm resistive load must be used for the RS-422.)

RS-232

**Table 14. Standard 500, 1000, 1500, and 2000 lpm Models
RS-232 Serial Interface Connector Pin Assignments**

Input Signals		Output Signals		Miscellaneous	
Signal	Pin	Signal	Pin	Signal	Pin
Receive Data (RD)	3	Transmit Status & Control Data (TD)	2	Chassis Ground	1
Clear To Send (CTS)	5	Request To Send (RTS)	4	Signal Ground	7
Data Set Ready (DSR)	6	Data Terminal Ready (DTR)	20		
Data Carrier Detect (DCD)	8				

Table 15. RS-232 Serial Interface Connector Pin Assignments

Input Signals		Output Signals		Miscellaneous	
Signal	Pin	Signal	Pin	Signal	Pin
Receive Data (RD)	2	Transmit Status & Control Data (TD)	3	Chassis/Signal Ground	5
Clear To Send (CTS)	8	Request To Send (RTS)	7		
Data Set Ready (DSR)	6	Data Terminal Ready (DTR)	4		
Data Carrier Detect (DCD)	1				

Receive Data (RD). Serial data stream to the printer.

Transmit Data (TD). Serial data stream from the printer for transmitting status and control information to the host. Subject to protocol selection.

Request To Send (RTS). Control signal from the printer. Subject to configuration.

Clear To Send (CTS). Status signal to the printer indicating the host is ready to receive data/status signals from the printer.

Data Set Ready (DSR). Status signal to the printer indicating the host is in a ready condition.

Data Carrier Detect (DCD). Status signal to the printer. The ON condition is required for the printer to receive data.

Data Terminal Ready (DTR). Control signal from the printer. Subject to configuration.

RS-422

Table 16. PSA3 RS-422 Serial Interface Connector Pin Assignments

Input Signals		Output Signals		Miscellaneous	
Signal	Pin	Signal	Pin	Signal	Pin
- Receive Data (-RD)	1	- Transmit Data (-TD)	3	Chassis/Signal Ground	5
+ Receive Data (+RD)	6	+ Transmit Data (+TD)	8		

+RD, -RD.Serial data stream differentially received by printer.

+TD, -TD.Differentially driven serial data stream for transmitting status and control information to the host. Subject to protocol selection.

NOTE: \pm RD and \pm TD form signal and return paths of a differential line signal.

6

Reprogramming the Security Key

Reprogramming The Security Key

The security key on the PSA3 controller board can be reprogrammed with a Software Program Exchange (SPX) module. The SPX is an intelligent module that plugs into the debug port on the back of printers equipped with the PSA3 "Hurricane" controller board. The SPX is used only once; it automatically overwrites itself after successfully reprogramming a security key. This allows the end user or a service technician to enable features such as new emulations without having to remove covers and install a new security key on the controller board.

The SPX is used at power-up only and is not left in the printer during normal operation. Because it is a single-use disposable item the user is not required to return it to the vendor or manufacturer.

How To Program The Security Key

1. Power off the printer.
2. On cabinet models, open the rear door. On pedestal models, refer to Figure 24 to locate the debug port at the rear of the printer.
3. Insert the SPX into the debug port as shown.

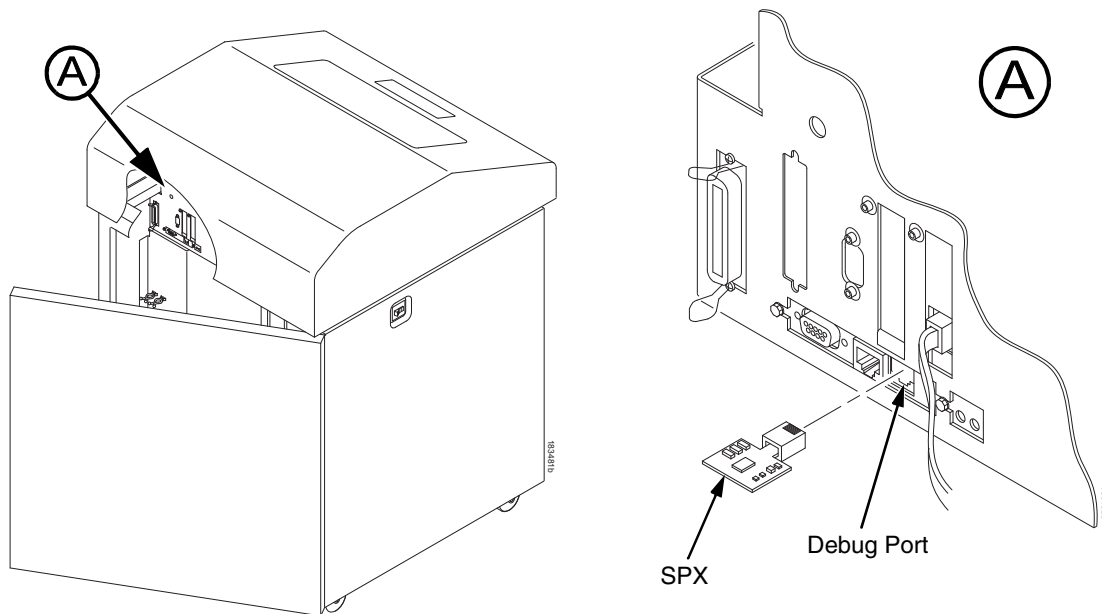


Figure 24. Inserting The SPX into the Debug Port

4. Power on the printer. The printer will begin its boot-up sequence.
5. When the printer detects a valid SPX, the control panel displays:
"NEW SPX DETECTED
PRESS ENTER"

NOTE: If an error message displays, find the message in the Message List in Chapter 7 and follow the troubleshooting instructions.

6. Press the **ENTER** key to activate the reprogramming sequence. The display will read:
"PROGRAMMING. PLEASE WAIT."
7. When the security key is reprogrammed, the display will read:
"REMOVE USED SPX
THEN PRESS ENTER"
8. Remove the SPX from the debug port at the rear of the printer.
9. Press the **ENTER** key. The printer will reboot itself and you may resume normal printing.
10. You may need to download a new program file to use the new feature.
11. You may need to set additional menu parameters for any new features that have been added or enabled.

7

Troubleshooting

Cleaning Requirements

Clean the printer every six months or after every 1000 hours of operation, whichever occurs first. If the printer is located in a dusty area or is used for heavy duty printing, clean it more often.

WARNING

Disconnect the power source before cleaning the printer.

Vor dem Säubern des Druckers ist die Netzverbindung zu unterbrechen.

Débranchez l'alimentation avant de nettoyer l'imprimante.

Desconecte la fuente de energía antes de limpiar la impresora.

Staccare la fonte di energia prima della pulitura della stampante.

Exterior Cleaning

Clean the outside of the cabinet with a soft, lint-free cloth and mild detergent soap. (Dishwashing liquid works well.) Do not use abrasive powders or chemical solvents. Clean the windows with plain water or mild window cleaner. Always apply the cleaning solution to the cloth; never pour cleaning solution directly onto the printer.

Interior Cleaning

Over time, particles of paper and ink accumulate inside the printer. This is normal. Paper dust and ink build-up must be periodically removed to avoid degraded print quality. Most paper dust accumulates around the ends of the platen and ribbon path.

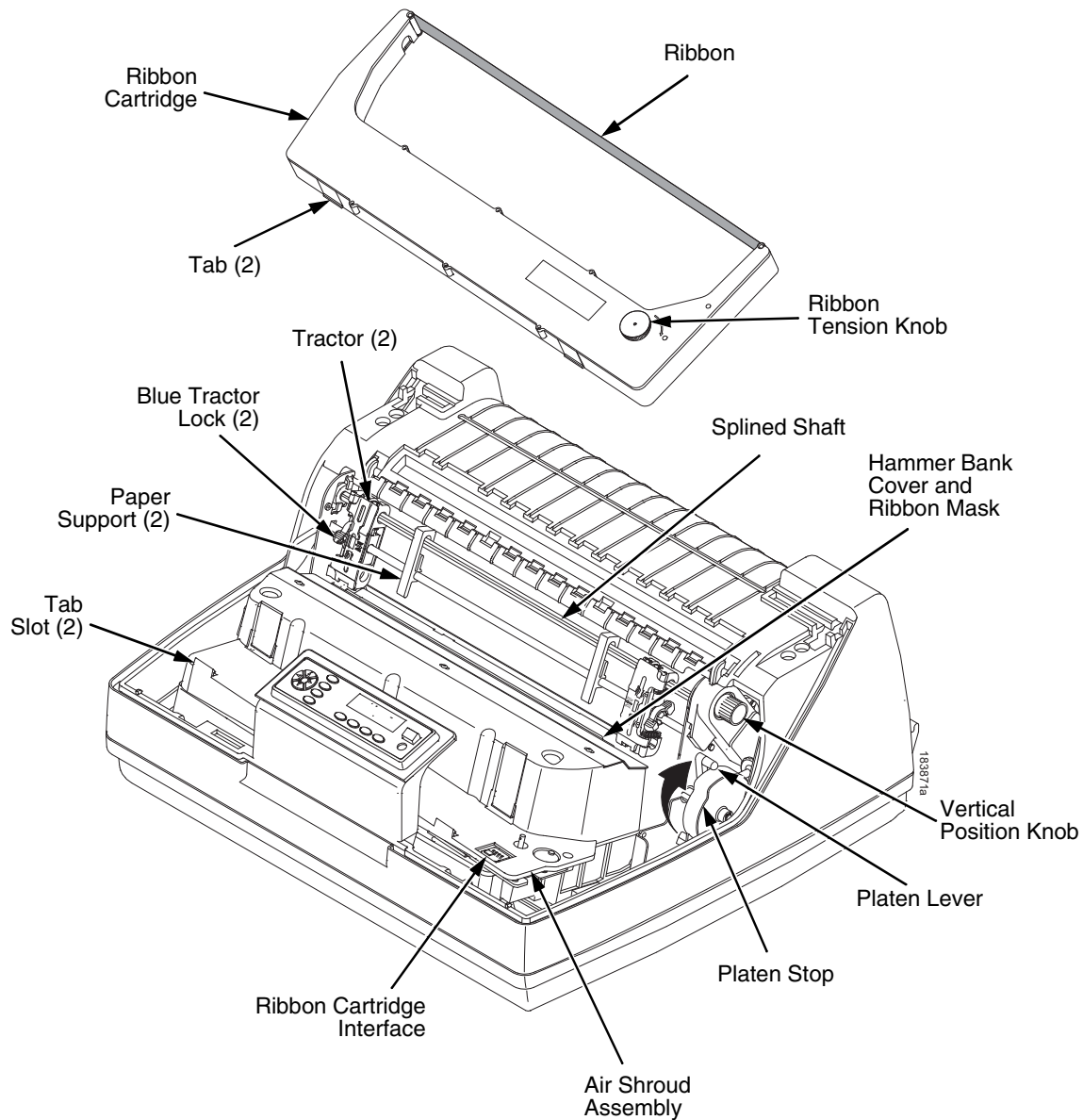


Figure 25. Interior Printer Components

To clean the interior of the printer perform the following steps.

1. Power off the printer and unplug the printer power cord.
2. Open the printer cover.
3. Fully raise the platen lever.
4. Unload the paper.
5. Remove the ribbon cartridge.
6. Lift the ribbon out of the ribbon path.
7. Brush the paper dust and ribbon lint off the tractors, shuttle cover assembly, and base casting with a soft-bristled, non-metallic brush (such as a toothbrush). Vacuum up the residue.

CAUTION Vacuum carefully around the hammer bank and surrounding area to avoid damage. To avoid corrosion damage, use only alcohol when cleaning the printer mechanical elements. Solutions used to clean mechanical elements must contain no water.

8. Wipe the splined shaft with a soft cloth.
9. Check the ribbon mask and hammer bank cover for bits of torn paper or ribbon lint.
10. Remove dust and ink from the platen using a soft cloth lightly moistened with anhydrous alcohol. (The platen is the thick silver bar behind the hammer bank cover that rotates when the platen lever is rotated.)

CAUTION When cleaning the platen, be very careful not to get any alcohol in the hammer bank, because alcohol will cause severe damage to the hammer bank. Only a trained service technician should clean the shuttle assembly.

11. Brush and vacuum the accumulated dust or residue inside the lower cabinet.
12. Wipe the lower cabinet interior with a clean, lint-free cloth dampened (not wet) with water and mild detergent or window cleaning solution. Dry the lower cabinet interior by wiping it down with a clean, lint-free cloth.
13. Install the ribbon and load paper.

Diagnosing Problems

This section is designed to help you fix problems which may arise with normal printer operation.

Bar Code Verification

The most important consideration when printing a bar code is to ensure that the bar code will be scanned properly. Incorporating a bar code quality procedure in the printing process is the best way to ensure that bar codes are being printed correctly. A properly implemented verification procedure will increase overall bar code quality, reduce waste from misprinted bar codes, and achieve high first-time read rates. A high first-time read rate is an increasingly important factor in newer, more efficient systems where manually entered data is not acceptable as a backup function. Verification also minimizes the costs of returned products due to poor reading or unaccountable bar codes.

Printing A Hex Dump

A hex code printout (or hex dump) is a translation of all host interface data to its hexadecimal equivalent, listing all ASCII character data received from the host computer with their corresponding two-digit hexadecimal codes. Hex dumps are used to troubleshoot printer data reception problems.

Printable characters print as the assigned symbol; nonprintable characters are indicated by a period (.).

Figure 26 shows an example of a hex dump.

!"#\$%&'()*+,-./	20	21	22	23	24	25	26	27	28	29	2A	2B	2C	2D	2E	2F
0123456789:;<=>?	30	31	32	33	34	35	36	37	38	39	3A	3B	3C	3D	3E	3F
@ABCDEFGHIJKLMNO	40	41	42	43	44	45	46	47	48	49	4A	4B	4C	4D	4E	4F
PQRSTUVWXYZ[\]^_`	50	51	52	53	54	55	56	57	58	59	5A	5B	5C	5D	5E	5F
abcdefghijklmnopqrstuvwxyz{ }~	60	61	62	63	64	65	66	67	68	69	6A	6B	6C	6D	6E	6F
!"#\$%&'()*+,-./0	70	71	72	73	74	75	76	77	78	79	7A	7B	7C	7D	7E	7F
123456789:;<=>?@	80	81	82	83	84	85	86	87	88	89	8A	8B	8C	8D	8E	8F
ABCDEFGHIJKLMN	90	91	92	93	94	95	96	97	98	99	9A	9B	9C	9D	9E	9F
OPQRSTUVWXYZ[\]^_`	00	01	02	03	04	05	06	07	08	09	0A	0B	0C	0D	0E	0F
abcdefghijklmnopqrstuvwxyz{ }~	10	11	12	13	14	15	16	17	18	19	1A	1B	1C	1D	1E	1F
!"#\$%&'()*+,-./0	20	21	22	23	24	25	26	27	28	29	2A	2B	2C	2D	2E	2F
123456789:;<=>?@	30	31	32	33	34	35	36	37	38	39	3A	3B	3C	3D	3E	3F
ABCDEFGHIJKLMN	40	41	42	43	44	45	46	47	48	49	4A	4B	4C	4D	4E	4F
OPQRSTUVWXYZ[\]^_`	50	51	52	53	54	55	56	57	58	59	5A	5B	5C	5D	5E	5F
abcdefghijklmnopqrstuvwxyz{ }~	60	61	62	63	64	65	66	67	68	69	6A	6B	6C	6D	6E	6F
!"#\$%&'()*+,-./0	70	71	72	73	74	75	76	77	78	79	7A	7B	7C	7D	7E	7F
123456789:;<=>?@	80	81	82	83	84	85	86	87	88	89	8A	8B	8C	8D	8E	8F
ABCDEFGHIJKLMN	90	91	92	93	94	95	96	97	98	99	9A	9B	9C	9D	9E	9F
OPQRSTUVWXYZ[\]^_`	00	01	02	03	04	05	06	07	08	09	0A	0B	0C	0D	0E	0F
abcdefghijklmnopqrstuvwxyz{ }~	10	11	12	13	14	15	16	17	18	19	1A	1B	1C	1D	1E	1F
!"#\$%&'()*+,-./0	20	21	22	23	24	25	26	27	28	29	2A	2B	2C	2D	2E	2F
123456789:;<=>?@	30	31	32	33	34	35	36	37	38	39	3A	3B	3C	3D	3E	3F
ABCDEFGHIJKLMN	40	41	42	43	44	45	46	47	48	49	4A	4B	4C	4D	4E	4F
OPQRSTUVWXYZ[\]^_`	50	51	52	53	54	55	56	57	58	59	5A	5B	5C	5D	5E	5F
abcdefghijklmnopqrstuvwxyz{ }~	60	61	62	63	64	65	66	67	68	69	6A	6B	6C	6D	6E	6F
!"#\$%&'()*+,-./0	70	71	72	73	74	75	76	77	78	79	7A	7B	7C	7D	7E	7F
123456789:;<=>?@	80	81	82	83	84	85	86	87	88	89	8A	8B	8C	8D	8E	8F
ABCDEFGHIJKLMN	90	91	92	93	94	95	96	97	98	99	9A	9B	9C	9D	9E	9F
OPQRSTUVWXYZ[\]^_`	00	01	02	03	04	05	06	07	08	09	0A	0B	0C	0D	0E	0F
abcdefghijklmnopqrstuvwxyz{ }~	10	11	12	13	14	15	16	17	18	19	1A	1B	1C	1D	1E	1F

Figure 26. Hex Dump Sample

Fault Messages

If a fault condition occurs in the printer, the status indicator on the control panel flashes on and off, and the message display indicates the specific fault. Fault messages are summarized in Table 17.

Displayed faults fall into one of two categories:

- Operator correctable
- Field service required

For the operator-correctable faults, follow the suggested solution in Table 17. After correcting the displayed fault, press the **CANCEL** key to clear the error message and status indicator and resume printing. If the fault message reappears, contact your authorized service representative.

NOTE: The *Maintenance Manual* provides more detailed information and procedures for resolving fault conditions. However, many of the procedures described there must be performed only by your authorized service representative.

Fault Messages Requiring Field Service Attention

If a fault is not correctable by the operator, the fault message is followed by an asterisk (*). This usually indicates that an authorized service representative is needed. You may try two steps to clear the fault before calling your authorized service representative:

1. Set the printer power switch to O (Off), wait 15 seconds, then turn the printer on again. Run your print job again. If the message does not appear, it was a false indication and no further attention is required.
2. If the message reappears, press the **CANCEL** key. If the message disappears, it was a false indication and no further attention is required. If the message reappears, call your authorized service representative.

Table 17. LCD Message Troubleshooting Table

Displayed Message	Can User Correct?	Explanation	Solution
06 HOST REQUEST	Yes	Host attention message.	The host computer or printer controller requires attention.
08 HOLD PRINT TIMEOUT	Yes	Printer was offline more than 10 minutes, and the "Intervention Required" parameter is set to "Send to Host."	Press ON LINE to put printer in online state.
8.5V PWR FAIL*	No	8.5 Volt power failed. Internal power failure.	Contact your authorized service representative. ¹
15 COMM CHECK	Yes	A message that appears in the CT emulation meaning the line is not active on a twinax interface.	Check cable connection.
15V CTL FAIL*	No	Controller voltage failure.	Contact your authorized service representative. ¹
22 INVALID ADDR	Yes	Unit address not recognized by printer. (Twinax interface)	Ensure that printer address matches host setting.
23.5V CTL FAIL*	No	23.5 Volt Controller failed: a voltage failure on the controller board.	Contact your authorized service representative. ¹
31 PAPER OUT TIMEOUT	Yes	A timeout message is sent to the host if paper is not loaded 10 minutes after ON LINE/CLEAR was pressed to clear the paper out fault.	Load paper and run a print test. If the message reappears, contact your authorized service representative. ¹
32 PAPER JAM TIMEOUT	Yes	A timeout message is sent to the host if no paper motion has occurred for 10 minutes after ON LINE/CLEAR was pressed to clear the jam fault.	Clear paper jam and reload paper.
33 PLATEN OPEN TIMEOUT	Yes	The forms thickness lever has been open for at least one minute.	Load paper, close the forms thickness lever, and press ON LINE/CLEAR.

Table 17. LCD Message Troubleshooting Table

Displayed Message	Can User Correct?	Explanation	Solution
34 RIBBON STALL TIMEOUT	Yes	In the CT emulation with a coax interface, the ribbon has not moved for 10 minutes after ON LINE/CLEAR was pressed to clear the ribbon drive fault.	Reload the ribbon.
48V CIRCUIT* See User Manual	No	Either the power supply is not generating a proper 48 Volts or the controller board is not detecting a 48 Volt output from the power supply board.	Contact your authorized service representative. ¹
48V PWR FAIL*	No	Internal power failure.	Contact your authorized service representative. ¹
A TO D OVERUN*	No	Analog to Digital Overrun. The analog-to-digital converter overflowed.	Contact your authorized service representative. ¹
ACCESS NULL PTR*	No	Access Null Pointer: The processor tried to access a pointer that contains nothing (null).	Contact your authorized service representative. ¹
ACTIVATE LOST	No	The printer detects a twinax protocol communication error and reports the error.	Contact your authorized service representative. ¹
B00 STATUS: SDRAM DETECTION 166MHZ	No	Status message: the printer has begun its boot-up routines and is checking for the presence of SDRAM.	No action required.
B01 STATUS: 8245 SDRAM TEST 32MB	No	Status message: printer boot-up routines are testing SDRAM.	No action required.
B10 ERROR: NO DRAM DETECTED*	No	SDRAM DIMM may not be properly installed. Boot-up routines did not detect the presence of the SDRAM DIMM.	Cycle power to see if the message clears, if not, contact your authorized service representative. ¹
B11 ERROR: RAM TEST FAILED*	No	SDRAM failed the boot initialization test. SDRAM DIMM may not be properly installed.	Cycle power to see if the message clears, if not, contact your authorized service representative. ¹

Table 17. LCD Message Troubleshooting Table

Displayed Message	Can User Correct?	Explanation	Solution
B12 ERROR: PROGRAM MISSING*	Yes	The printer does not see a program in flash memory.	There is no program in printer memory. Download an emulation.
B13 ERROR: NOT COMPATIBLE*	No	Attempting to download a program that is not compatible with the printer.	Cycle power to see if the message clears, if not, contact your authorized service representative. ¹
B19 ERROR: DC RETURNED*	No	The message indicates an incorrectly assembled and tested machine.	Cycle power to see if the message clears, if not, contact your authorized service representative. ¹
B20 STATUS :00% DOWNLOAD MODE	No	Status message informing the operator that software is being downloaded. Percentage figure indicates approximate amount loaded into the printer.	No action is required.
B21 STATUS: PRINTER RESET	No	Status message informing the operator that the printer is undergoing a system reset.	No action is required.
B22 ERROR: DECOMPRESS SIZE*	No	FLASH memory has not passed boot initialization tests.	Cycle power to see if the message clears, if not, contact your authorized service representative. ¹
B23 ERROR: DECOMPRESS CKSUM*	No	FLASH memory has not passed boot initialization tests.	Cycle power to see if the message clears, if not, contact your authorized service representative. ¹
B30 STATUS: INITIALIZING..	N/A	Status message: the printer is running its initialization routines after startup and successful memory tests.	No action is required.
B35 STATUS: WAITING FOR EC STATUS	N/A	Status message: the DC on the controller board is waiting for communication with the EC. If this message does not clear within a few seconds there is an electrical or electronic problem on the controller board.	Cycle power to see if the message clears, if not, contact your authorized service representative. ¹

Table 17. LCD Message Troubleshooting Table

Displayed Message	Can User Correct?	Explanation	Solution
B40 ERROR: SDRAM EEPROM CKSUM BAD*	No	Flash memory has not passed boot initialization tests.	Cycle power to see if the message clears, if not, contact your authorized service representative. ¹
B41 ERROR: DIM MEMORY NOT SDRAM*	No	The DRAM DIMM installed on the controller board is not Synchronous DRAM (SDRAM).	Cycle power to see if the message clears, if not, contact your authorized service representative. ¹
B42 ERROR: SDRAM ROWS NOT ALLOWED*	No	Printer boot initialization tests detect incorrect SDRAM.	Cycle power to see if the message clears, if not, contact your authorized service representative. ¹
B43 ERROR: SDRAM TOO MANY BANKS*	No	Printer boot initialization tests detect incorrect SDRAM.	Cycle power to see if the message clears, if not, contact your authorized service representative. ¹
B44 ERROR: SDRAM NOT 64 BITS WIDE*	No	Printer boot initialization tests detect incorrect SDRAM.	Cycle power to see if the message clears, if not, contact your authorized service representative. ¹
B45 ERROR: SDRAM IS WRONG VOLTAGE*	No	Printer boot initialization tests detect incorrect SDRAM.	Cycle power to see if the message clears, if not, contact your authorized service representative. ¹
B46 ERROR: SDRAM HAS MIXED SIZES*	No	Printer boot initialization tests detect incorrect SDRAM.	Cycle power to see if the message clears, if not, contact your authorized service representative. ¹
B47 ERROR: SDRAM LARGER THAN 256M*	No	Printer boot initialization tests detect incorrect SDRAM.	Cycle power to see if the message clears, if not, contact your authorized service representative. ¹
B49 ERROR: SDRAM # LOGICAL BANKS*	No	Printer boot initialization tests detect incorrect SDRAM.	Cycle power to see if the message clears, if not, contact your authorized service representative. ¹
B50 ERROR: SDRAM LOGIC COMB BANKS*	No	SDRAM DIMM is not compatible with the computer. SDRAM DIMM may not be properly installed.	Cycle power to see if the message clears, if not, contact your authorized service representative. ¹
B50 STATUS: XX% CLEAR FLASH	No	Emulation software successfully loaded in RAM. Old program being deleted from flash memory.	No action is required.

Table 17. LCD Message Troubleshooting Table

Displayed Message	Can User Correct?	Explanation	Solution
B51 STATUS: XX% LOADING...	No	Status message: printer boot-up routines are loading printer system software into flash memory and SDRAM.	No action required.
B53 ERROR: 12C NO ARBITRATION	No	There is a problem on the I ² C bus which allows the SDRAM DIMM to communicate with the GPIO or CT interface.	Cycle power to see if the message clears, if not, contact your authorized service representative. ¹
B54 ERROR: SDA LINE STUCK LOW	No	The SDRAM or a PCI card is shorting out the serial data bus on the controller board.	Cycle power to see if the message clears, if not, contact your authorized service representative. ¹
B55 STATUS: SEND PROGRAM TO EC	No	EC program downloaded and being programed in EC.	No action is required.
x/y BARCODES / Not Found	Yes	In the OpenPrint products, SURE SCAN detects fewer barcodes than the set value for "Barcodes on Page" menu option. x represents the number of barcodes not found, and y represents the "Barcodes on Page" value.	SURE SCAN success depends on the symbology, quality of the barcode graphic, and dimensions of the barcode. See "OpenPrint SURE SCAN Menu" on page 242 for more information.
BUFFER OVERRUN	Yes	The print buffer has overflowed on a serial interface. The printed output may contain random * (asterisk) characters. Make a configuration printout.	Verify that the printer matches the host serial interface configuration settings for Data Protocol, Baud Rate, Data Bits, Stop Bits, Parity, Data Terminal Ready, and Request to Send. Set printer serial interface parameters to match those of the host.
CLEAR PAPER JAM	Yes	No paper motion.	Clear jam and reload paper. If this message recurs, contact your authorized service representative. ¹

Table 17. LCD Message Troubleshooting Table

Displayed Message	Can User Correct?	Explanation	Solution
CLEARING PROGRAM FROM FLASH	No	Status message: emulation software successfully loaded into printer RAM and the checksum matched. The old program is now being deleted from flash memory.	No action is required.
CLOSE PLATEN	Yes	The platen lever is open.	Close the platen lever.
COIL HOT	No	One or more hammer coils are overheating.	Contact your authorized service representative. ¹
CRTG COMM ERR See User Manual	No	The hardware cannot communicate properly with the cartridge.	<ol style="list-style-type: none"> 1. Make sure the ribbon cartridge is seated properly. 2. Remove and replace the ribbon cartridge if necessary. 3. Contact your authorized service representative.¹
CRTG MISSING Install new RBN	Yes	The ribbon cartridge is missing or installed improperly.	<ol style="list-style-type: none"> 1. Make sure a ribbon cartridge is installed in the printer. 2. Make sure the ribbon cartridge is seated properly. 3. Remove and replace the cartridge if necessary. 4. Contact your authorized customer service representative.¹
CRTG NOT SETx Re-install RBN	Yes	The ribbon cartridge is not properly positioned.	<ol style="list-style-type: none"> 1. Make sure a ribbon cartridge is installed in the printer. 2. Make sure the ribbon cartridge is seated properly. 3. Remove and replace the cartridge if necessary. 4. Contact your authorized customer service representative.¹
CTL VOLT FAIL*	No	Controller Voltage Failure. 15 V failure on the controller board.	Contact your authorized service representative. ¹
D50 Status %XX Clearing Flash	No	Status message: The printer is clearing its flash memory, where %XX represents the percentage completed.	No action is required.

Table 17. LCD Message Troubleshooting Table

Displayed Message	Can User Correct?	Explanation	Solution
D51 Status %XX Programming...	No	Status message: The printer is loading firmware, where %XX represents the percentage completed.	No action is required.
D55 Status: Send Program to EC	No	Status message: The printer is loading the engine controller program into the engine controller (EC).	No action is required.
DIAGNOSTIC PASSED	No	Status message: the printer passed its memory and hardware initialization tests.	No action is required.
DO NOT POWER OFF	No	Status message: The printer is performing an operation that must be completed before you can cycle power.	No action is required, but do not power off the printer until the operation is complete.
DP FIFO Busy*	Yes	There is a timing problem in the Engine Controller firmware.	<ol style="list-style-type: none"> 1. Cycle power. Run the print job again. If the message appears, download the emulation software again. 2. Cycle power. Run the print job again. If the message appears again, contact your authorized service representative.¹
DRVR CIR BAD*	No	Driver Circuit Bad. The hammer coil count test failed.	Contact your authorized service representative. ¹
E00 EXE @ ADDR0 See User Manual	Yes	An illegal or unsupported instruction was attempted in the application program.	<ol style="list-style-type: none"> 1. Cycle Power. Run the print job again. If the message appears, load the latest emulation software. 2. Cycle power. Run the print job again. If the message appears, record the display message and send it to your next higher support facility.

Table 17. LCD Message Troubleshooting Table

Displayed Message	Can User Correct?	Explanation	Solution
E01A TYPE 0x40 See User Manual	Yes	An illegal or unsupported instruction was attempted in the application program.	<ol style="list-style-type: none"> 1. Cycle Power. Run the print job again. If the message appears, load the latest emulation software. 2. Cycle power. Run the print job again. If the message appears, record the display message and send it to your next higher support facility.
E01B TYPE 0x60 See User Manual	Yes	An illegal or unsupported instruction was attempted in the application program.	<ol style="list-style-type: none"> 1. Cycle Power. Run the print job again. If the message appears, load the latest emulation software. 2. Cycle power. Run the print job again. If the message appears, record the display message and send it to your next higher support facility.
E02 MACHINE CHK See User Manual	Yes	An illegal or unsupported instruction was attempted in the application program.	<ol style="list-style-type: none"> 1. Cycle Power. Run the print job again. If the message appears, load the latest emulation software. 2. Cycle power. Run the print job again. If the message appears, record the display message and send it to your next higher support facility.
E03A DSI HASH L See User Manual	Yes	An illegal or unsupported instruction was attempted in the application program.	<ol style="list-style-type: none"> 1. Cycle Power. Run the print job again. If the message appears, load the latest emulation software. 2. Cycle power. Run the print job again. If the message appears, record the display message and send it to your next higher support facility.
E03B DSI HASH S See User Manual	Yes	An illegal or unsupported instruction was attempted in the application program.	<ol style="list-style-type: none"> 1. Cycle Power. Run the print job again. If the message appears, load the latest emulation software. 2. Cycle power. Run the print job again. If the message appears, record the display message and send it to your next higher support facility.

Table 17. LCD Message Troubleshooting Table

Displayed Message	Can User Correct?	Explanation	Solution
E03C DSI BAT PL See User Manual	Yes	An illegal or unsupported instruction was attempted in the application program.	<ol style="list-style-type: none"> 1. Cycle Power. Run the print job again. If the message appears, load the latest emulation software. 2. Cycle power. Run the print job again. If the message appears, record the display message and send it to your next higher support facility.
E03D DSI BAT PS See User Manual	Yes	An illegal or unsupported instruction was attempted in the application program.	<ol style="list-style-type: none"> 1. Cycle Power. Run the print job again. If the message appears, load the latest emulation software. 2. Cycle power. Run the print job again. If the message appears, record the display message and send it to your next higher support facility.
E03E DSI CXIWX See User Manual	Yes	An illegal or unsupported instruction was attempted in the application program.	<ol style="list-style-type: none"> 1. Cycle Power. Run the print job again. If the message appears, load the latest emulation software. 2. Cycle power. Run the print job again. If the message appears, record the display message and send it to your next higher support facility.
E03F DSI CXOWX See User Manual	Yes	An illegal or unsupported instruction was attempted in the application program.	<ol style="list-style-type: none"> 1. Cycle Power. Run the print job again. If the message appears, load the latest emulation software. 2. Cycle power. Run the print job again. If the message appears, record the display message and send it to your next higher support facility.
E03G DSI ECXIWX See User Manual	Yes	An illegal or unsupported instruction was attempted in the application program.	<ol style="list-style-type: none"> 1. Cycle Power. Run the print job again. If the message appears, load the latest emulation software. 2. Cycle power. Run the print job again. If the message appears, record the display message and send it to your next higher support facility.

Table 17. LCD Message Troubleshooting Table

Displayed Message	Can User Correct?	Explanation	Solution
E03H DSI ECXOWX See User Manual	Yes	An illegal or unsupported instruction was attempted in the application program.	<ol style="list-style-type: none"> 1. Cycle Power. Run the print job again. If the message appears, load the latest emulation software. 2. Cycle power. Run the print job again. If the message appears, record the display message and send it to your next higher support facility.
E04A ISI NO TRA See User Manual	Yes	An illegal or unsupported instruction was attempted in the application program.	<ol style="list-style-type: none"> 1. Cycle Power. Run the print job again. If the message appears, load the latest emulation software. 2. Cycle power. Run the print job again. If the message appears, record the display message and send it to your next higher support facility.
E04B ISI DIRECT See User Manual	Yes	An illegal or unsupported instruction was attempted in the application program.	<ol style="list-style-type: none"> 1. Cycle Power. Run the print job again. If the message appears, load the latest emulation software. 2. Cycle power. Run the print job again. If the message appears, record the display message and send it to your next higher support facility.
E04C ISI PROTEC See User Manual	Yes	An illegal or unsupported instruction was attempted in the application program.	<ol style="list-style-type: none"> 1. Cycle Power. Run the print job again. If the message appears, load the latest emulation software. 2. Cycle power. Run the print job again. If the message appears, record the display message and send it to your next higher support facility.
E06 NOT ALIGNED See User Manual	Yes	An illegal or unsupported instruction was attempted in the application program.	<ol style="list-style-type: none"> 1. Cycle Power. Run the print job again. If the message appears, load the latest emulation software. 2. Cycle power. Run the print job again. If the message appears, record the display message and send it to your next higher support facility.

Table 17. LCD Message Troubleshooting Table

Displayed Message	Can User Correct?	Explanation	Solution
E07 ILLEGAL INS See User Manual	Yes	An illegal or unsupported instruction was attempted in the application program.	<ol style="list-style-type: none"> 1. Cycle Power. Run the print job again. If the message appears, load the latest emulation software. 2. Cycle power. Run the print job again. If the message appears, record the display message and send it to your next higher support facility.
E08 FLOATINGPNT See User Manual	Yes	An illegal or unsupported instruction was attempted in the application program.	<ol style="list-style-type: none"> 1. Cycle Power. Run the print job again. If the message appears, load the latest emulation software. 2. Cycle power. Run the print job again. If the message appears, record the display message and send it to your next higher support facility.
E12 SYSTEM CALL See User Manual	Yes	An illegal or unsupported instruction was attempted in the application program.	<ol style="list-style-type: none"> 1. Cycle Power. Run the print job again. If the message appears, load the latest emulation software. 2. Cycle power. Run the print job again. If the message appears, record the display message and send it to your next higher support facility.
E13 TRACE INT See User Manual	Yes	An illegal or unsupported instruction was attempted in the application program.	<ol style="list-style-type: none"> 1. Cycle Power. Run the print job again. If the message appears, load the latest emulation software. 2. Cycle power. Run the print job again. If the message appears, record the display message and send it to your next higher support facility.
E16 ITRANS MISS See User Manual	Yes	An illegal or unsupported instruction was attempted in the application program.	<ol style="list-style-type: none"> 1. Cycle Power. Run the print job again. If the message appears, load the latest emulation software. 2. Cycle power. Run the print job again. If the message appears, record the display message and send it to your next higher support facility.

Table 17. LCD Message Troubleshooting Table

Displayed Message	Can User Correct?	Explanation	Solution
E17 DLOAD MISS See User Manual	Yes	An illegal or unsupported instruction was attempted in the application program.	<ol style="list-style-type: none"> 1. Cycle Power. Run the print job again. If the message appears, load the latest emulation software. 2. Cycle power. Run the print job again. If the message appears, record the display message and send it to your next higher support facility.
E18 DSTORE MISS See User Manual	Yes	An illegal or unsupported instruction was attempted in the application program.	<ol style="list-style-type: none"> 1. Cycle Power. Run the print job again. If the message appears, load the latest emulation software. 2. Cycle power. Run the print job again. If the message appears, record the display message and send it to your next higher support facility.
E19 BREAKPOINT See User Manual	Yes	An illegal or unsupported instruction was attempted in the application program.	<ol style="list-style-type: none"> 1. Cycle Power. Run the print job again. If the message appears, load the latest emulation software. 2. Cycle power. Run the print job again. If the message appears, record the display message and send it to your next higher support facility.
E20 SYS MANAGE See User Manual	Yes	An illegal or unsupported instruction was attempted in the application program.	<ol style="list-style-type: none"> 1. Cycle Power. Run the print job again. If the message appears, load the latest emulation software. 2. Cycle power. Run the print job again. If the message appears, record the display message and send it to your next higher support facility.
E30 DEBUGGER See User Manual	Yes	An illegal or unsupported instruction was attempted in the application program.	<ol style="list-style-type: none"> 1. Cycle Power. Run the print job again. If the message appears, load the latest emulation software. 2. Cycle power. Run the print job again. If the message appears, record the display message and send it to your next higher support facility.

Table 17. LCD Message Troubleshooting Table

Displayed Message	Can User Correct?	Explanation	Solution
E31A EVENT 0 BP See User Manual	Yes	An illegal or unsupported instruction was attempted in the application program.	<ol style="list-style-type: none"> 1. Cycle Power. Run the print job again. If the message appears, load the latest emulation software. 2. Cycle power. Run the print job again. If the message appears, record the display message and send it to your next higher support facility.
E31B EVENT 1 BP See User Manual	Yes	An illegal or unsupported instruction was attempted in the application program.	<ol style="list-style-type: none"> 1. Cycle Power. Run the print job again. If the message appears, load the latest emulation software. 2. Cycle power. Run the print job again. If the message appears, record the display message and send it to your next higher support facility.
E31C EVENT 2 BP See User Manual	Yes	An illegal or unsupported instruction was attempted in the application program.	<ol style="list-style-type: none"> 1. Cycle Power. Run the print job again. If the message appears, load the latest emulation software. 2. Cycle power. Run the print job again. If the message appears, record the display message and send it to your next higher support facility.
E31D EVENT 3 BP See User Manual	Yes	An illegal or unsupported instruction was attempted in the application program.	<ol style="list-style-type: none"> 1. Cycle Power. Run the print job again. If the message appears, load the latest emulation software. 2. Cycle power. Run the print job again. If the message appears, record the display message and send it to your next higher support facility.
E31E EVENT 4 BP See User Manual	Yes	An illegal or unsupported instruction was attempted in the application program.	<ol style="list-style-type: none"> 1. Cycle Power. Run the print job again. If the message appears, load the latest emulation software. 2. Cycle power. Run the print job again. If the message appears, record the display message and send it to your next higher support facility.

Table 17. LCD Message Troubleshooting Table

Displayed Message	Can User Correct?	Explanation	Solution
E31F EVENT 5 BP See User Manual	Yes	An illegal or unsupported instruction was attempted in the application program.	<ol style="list-style-type: none"> 1. Cycle Power. Run the print job again. If the message appears, load the latest emulation software. 2. Cycle power. Run the print job again. If the message appears, record the display message and send it to your next higher support facility.
E31G EVENT 6 BP See User Manual	Yes	An illegal or unsupported instruction was attempted in the application program.	<ol style="list-style-type: none"> 1. Cycle Power. Run the print job again. If the message appears, load the latest emulation software. 2. Cycle power. Run the print job again. If the message appears, record the display message and send it to your next higher support facility.
E31H EVENT 7 BP See User Manual	Yes	An illegal or unsupported instruction was attempted in the application program.	<ol style="list-style-type: none"> 1. Cycle Power. Run the print job again. If the message appears, load the latest emulation software. 2. Cycle power. Run the print job again. If the message appears, record the display message and send it to your next higher support facility.
E32A CND 0 BP See User Manual	Yes	An illegal or unsupported instruction was attempted in the application program.	<ol style="list-style-type: none"> 1. Cycle Power. Run the print job again. If the message appears, load the latest emulation software. 2. Cycle power. Run the print job again. If the message appears, record the display message and send it to your next higher support facility.
E32B CND 1 BP See User Manual	Yes	An illegal or unsupported instruction was attempted in the application program.	<ol style="list-style-type: none"> 1. Cycle Power. Run the print job again. If the message appears, load the latest emulation software. 2. Cycle power. Run the print job again. If the message appears, record the display message and send it to your next higher support facility.

Table 17. LCD Message Troubleshooting Table

Displayed Message	Can User Correct?	Explanation	Solution
E32C CND 2 BP See User Manual	Yes	An illegal or unsupported instruction was attempted in the application program.	<ol style="list-style-type: none"> 1. Cycle Power. Run the print job again. If the message appears, load the latest emulation software. 2. Cycle power. Run the print job again. If the message appears, record the display message and send it to your next higher support facility.
E32D CND 3 BP See User Manual	Yes	An illegal or unsupported instruction was attempted in the application program.	<ol style="list-style-type: none"> 1. Cycle Power. Run the print job again. If the message appears, load the latest emulation software. 2. Cycle power. Run the print job again. If the message appears, record the display message and send it to your next higher support facility.
E32E CND 4 BP See User Manual	Yes	An illegal or unsupported instruction was attempted in the application program.	<ol style="list-style-type: none"> 1. Cycle Power. Run the print job again. If the message appears, load the latest emulation software. 2. Cycle power. Run the print job again. If the message appears, record the display message and send it to your next higher support facility.
E32F CND 5 BP See User Manual	Yes	An illegal or unsupported instruction was attempted in the application program.	<ol style="list-style-type: none"> 1. Cycle Power. Run the print job again. If the message appears, load the latest emulation software. 2. Cycle power. Run the print job again. If the message appears, record the display message and send it to your next higher support facility.
E32G CND 6 BP See User Manual	Yes	An illegal or unsupported instruction was attempted in the application program.	<ol style="list-style-type: none"> 1. Cycle Power. Run the print job again. If the message appears, load the latest emulation software. 2. Cycle power. Run the print job again. If the message appears, record the display message and send it to your next higher support facility.

Table 17. LCD Message Troubleshooting Table

Displayed Message	Can User Correct?	Explanation	Solution
E32H CND 7 BP See User Manual	Yes	An illegal or unsupported instruction was attempted in the application program.	<ol style="list-style-type: none"> 1. Cycle Power. Run the print job again. If the message appears, load the latest emulation software. 2. Cycle power. Run the print job again. If the message appears, record the display message and send it to your next higher support facility.
E33 WRITE BP See User Manual	Yes	An illegal or unsupported instruction was attempted in the application program.	<ol style="list-style-type: none"> 1. Cycle Power. Run the print job again. If the message appears, load the latest emulation software. 2. Cycle power. Run the print job again. If the message appears, record the display message and send it to your next higher support facility.
E34 TRACE CMPLT See User Manual	Yes	An illegal or unsupported instruction was attempted in the application program.	<ol style="list-style-type: none"> 1. Cycle Power. Run the print job again. If the message appears, load the latest emulation software. 2. Cycle power. Run the print job again. If the message appears, record the display message and send it to your next higher support facility.
E99 UNKNOWN INT See User Manual	Yes	An illegal or unsupported instruction was attempted in the application program.	<ol style="list-style-type: none"> 1. Cycle Power. Run the print job again. If the message appears, load the latest emulation software. 2. Cycle power. Run the print job again. If the message appears, record the display message and send it to your next higher support facility.
E Net Test Unavailable	Yes	The ethernet PCBA did not initialize correctly.	Cycle power. Wait for "E Net Ready" to display, then retry operation. If it still fails, contact your authorized service representative. ¹

Table 17. LCD Message Troubleshooting Table

Displayed Message	Can User Correct?	Explanation	Solution
ERROR: CPLD NOT PROGRAMMED	No	The Complex Programmable Logic Device (CPLD) on the controller board is not programmed. The EC cannot read the version bits in the CPLD which tell the EC which configuration version is installed.	Contact your authorized service representative. ¹
ERROR: DC PROGRAM NOT VALID	Yes	The printer cannot find the data controller program or the validation checksum is corrupt.	Download the program again. If the message appears, contact your authorized service representative. ¹
ERROR: DRAM AT ADDRESS XXXXXXXX	Yes	The printer cannot find the engine controller program or the validation checksum is corrupt.	Download the program again. If the message appears, contact your authorized service representative. ¹
ERROR: EC PROGRAM NOT VALID		The printer cannot find the engine controller program or the validation checksum is corrupt.	Download the program again. If the message occurs again, contact your authorized service representative. ¹
ERROR: EC STOPPED AT STATE XXXX	No	XXXX is a number from 0000 to 0010. The Engine Controller has stopped and is in the state identified by the number displayed.	Contact your authorized service representative. ¹
ERROR: FLASH DID NOT PROGRAM	Yes	The printer encountered an error trying to program flash memory.	Download the program again. If the message displays again, contact your authorized service representative. ¹
ERROR: FLASH NOT DETECTED	No	The printer could not find flash memory.	Contact your authorized service representative. ¹
ERROR: LOCKED SN=nnnnnnnnnnnnnnnnnn nnnnnn	No	nnnnnnnnnnnnnnnnnnnn is the serial number of the printer's security key. The SPX serial number does not match the printer's serial number and cannot be used with the printer.	Contact your authorized service representative. ¹
ERROR: NO DRAM DETECTED	No	The printer could not find any DRAM.	Contact your authorized service representative. ¹

Table 17. LCD Message Troubleshooting Table

Displayed Message	Can User Correct?	Explanation	Solution
ERROR: NVRAM FAILURE	No	The non-volatile SRAM on the controller board has failed.	Contact your authorized service representative. ¹
ERROR OCCURRED FLUSHING QUEUES*	No	An interim message that displays while the printer discards host data it cannot use because a fault condition exists.	Contact your authorized service representative. ¹
ERROR: PROGRAM NEEDS MORE DRAM	No	The printer requires more DRAM to run the downloaded program.	Contact your authorized service representative. ¹
ERROR: PROGRAM NEEDS MORE FLASH	No	The printer requires more flash memory to run the downloaded program	Contact your authorized service representative. ¹
ERROR: PROGRAM NOT COMPATIBLE	Yes	The printer is not compatible with the downloaded program.	Use the correct emulation software options(s) for this printer model.
ERROR: PROGRAM NOT VALID	Yes	The printer does not see a program in flash memory.	There is no program in printer memory. Download the emulation.
ERROR: SECURITY KEY NOT DETECTED	No	The security key is not present or failed.	Contact your authorized service representative. ¹
ERROR: SHORT AT ADDRESS XXXX	No	Hardware failure in SDRAM or controller circuitry.	Contact your authorized service representative. ¹
ERROR: WRITING TO FLASH	No	Hardware or software fault in flash memory.	Contact your authorized service representative. ¹
ERROR: WRONG CHECKSUM	No	The printer received the complete program but the checksum did not match. The data may have been corrupted during downloading.	Contact your authorized service representative. ¹
ERROR: WRONG OEM	No	The SPX inserted in the debug port is not intended for this model printer or this OEM.	Contact your authorized service representative. ¹
ERROR: WRONG PRINTER TYPE	No	The SPX inserted in the debug port is not intended for this model printer or this OEM.	Contact your authorized service representative. ¹

Table 17. LCD Message Troubleshooting Table

Displayed Message	Can User Correct?	Explanation	Solution
ETHERNET ADAPTER BEING INITIALIZED	N/A	Status message indicating that the ethernet interface is processing the boot procedure.	No action is required.
ETHERNET DETECTED	N/A	Status message indicating that the Network Interface Card has established connection.	No action is required.
ETHERNET INITIALIZING	No	Status message: the internal Network Interface Card is processing the boot procedure. (May occur with older versions of microcode.)	No action is required.
EXCESS RBN WEAR Install New RBN	Yes	Status message that displays when ribbon reaches end of life, whether the Integrated Print Management System is enabled or not.	Install a new ribbon.
EXHAUST FAN FLT (Cabinet model only)	Yes	Sensors cannot detect current in fan circuit.	Power off the printer and remove the paper path (see <i>Maintenance Manual</i>). Check that the fan cable connector is connected. Check for obstruction of vents and fan airway, and remove any obstructions. Check for items beneath the printer blocking cabinet vents. Power back on the printer. If this message appears again, contact your authorized service representative. ¹
FIRMWARE ERROR*	No	Application software tried to perform an illegal printer function or damaged memory detected on the controller board.	Contact your authorized service representative. ¹
FM HEADER ERROR*	No	Frame Header Error. Application software has violated header parameters.	Contact your system administrator.

Table 17. LCD Message Troubleshooting Table

Displayed Message	Can User Correct?	Explanation	Solution
FRAMING ERROR	Yes	The printed output may contain random ! (exclamation point) characters.	Make a configuration printout. Set printer serial interface parameters to match host configuration settings for Data Protocol, Baud Rate, Data Bits, Stop Bits, Parity, Data Terminal Ready, and Request to Send.
FREEFORM OFF	Yes	A control panel key is stuck in the down position.	Press the key again.
FREEFORM ON: OFF HOLD KEY @ PWRUP	No	This message appears if the freeform feature is enabled. This feature is for manufacturing use only and is never used by the customer or field maintenance personnel.	Contact your authorized service representative. ¹
GRF CHK ERROR PRESS STOP	Yes	Graphic Check Error: in the CT emulation over a twinax interface, the printer received a non-printable character.	Press ON LINE/CLEAR.
H00: PCI SLOT ? See User Manual	No	The controller board is not communicating with a PCI card. This could indicate a bad PCI card, poor connection, or problem in the PCI bus.	Contact your authorized service representative. ¹
H01: PCI J12 See User Manual	No	The controller board is not communicating with the PCI card in PCI slot J12. This could indicate a bad PCI card, poor connection, or problem in the PCI bus.	Contact your authorized service representative. ¹
H02: PCI J13 See User Manual	No	The controller board is not communicating with the PCI card in PCI slot J13. This could indicate a bad PCI card, poor connection, or problem in the PCI bus.	Contact your authorized service representative. ¹

Table 17. LCD Message Troubleshooting Table

Displayed Message	Can User Correct?	Explanation	Solution
<Online, etc...> Half Speed Mode	No	Status message: The controller samples the operating temperature of key components of the print mechanism. When higher than normal temperatures are sensed, the print speed is automatically reduced by 50% and the message sent the LCD. When the components cool down, the print speed returns to 100% and the message clears.	No action is required. If the message appears often, contact your authorized service representative. ¹
HAM. COIL OPEN*	No	Hammer Coil Open. Electrical malfunction of one or more hammer coils.	Contact your authorized service representative. ¹
HAMMER COIL BAD* #, #, #, ...etc	No	Hammer coil # failed current test at power up.	Contact your authorized service representative. ¹
HAMMER SHORT* See User Manual	No	Electrical malfunction of one or more hammer coils.	Contact your authorized service representative. ¹
HB NOT INSTALLD*	No	Hammer Bank Not Installed. Self-test routines do not detect hammer coils at printer start-up.	Contact your authorized service representative. ¹
HMR BANK FAN FLT	Yes	Sensors cannot detect current in fan circuit.	Check that fan cable is connected. Check for obstruction of vents and fan airway; remove any obstructions. Check for items beneath the printer blocking cabinet vents. Power back on the printer. If this message recurs, contact your authorized service representative. ¹
ILL EXT BUS ACC*	No	Illegal External Bus Access. Firmware error on the controller board.	Contact your authorized service representative. ¹
ILL INST ACCSS*	No	Illegal Instruction Accessed. Firmware error on the controller board.	Contact your authorized service representative. ¹

Table 17. LCD Message Troubleshooting Table

Displayed Message	Can User Correct?	Explanation	Solution
ILLGL OPR ACCSS*	No	Illegal Operand Accessed. Firmware error on controller board.	Contact your authorized service representative. ¹
INCOMPAT E-NET Remove NIC	Yes	Incompatible network interface card (NIC) is installed.	Install a compatible NIC to the printer then reboot. If this message still appears, contact your authorized service representative. ¹
INTAKE FAN FAULT	Yes	Sensors cannot detect current in fan circuit.	Cycle power. If the message appears, press ON LINE/CLEAR. If the message does not clear, contact your authorized service representative. ¹
INTERRUPT UNUSED VECTOR 00	No	The controller board receives an interrupt it does not understand. The problem can be created by electrical noise, by a software problem, or by a hardware problem.	Cycle power. If this message occurred once and never again, you can ignore it. If the message reappears or appears consistently, contact your authorized service representative. ¹
INVALID ACTIVATE	No	Printer detects a twinax protocol communication error.	Contact your authorized service representative. ¹
INVALID COMMAND	No	Printer detects a twinax protocol communication error and reports the error.	Contact your authorized service representative. ¹
LO DRV. SHORT *	No	Lower Driver Short. Circuit(s) on the hammer bank or in the hammer bank power cable shorted to ground.	Contact your authorized service representative. ¹
LOAD PAPER	Yes	Printer is out of paper.	Load paper and press ON LINE/CLEAR.
LOADING PROGRAM FROM PORT XX%	No	Status message: the new emulation program is loading into printer RAM. XX% indicates how much of the program has loaded.	No action is required.
LOADING PROGRAM INTO FLASH	No	The printer has deleted the previous program from flash memory and is loading the new program into flash memory.	No action is required.

Table 17. LCD Message Troubleshooting Table

Displayed Message	Can User Correct?	Explanation	Solution
NEW SPX DETECTED PRESS ENTER	No	The printer detects an SPX installed at the debug port and the SPX is valid for the printer.	Contact your authorized service representative. ¹
NON VOLATILE MEMORY FAILED	No	Large emulations reduce the amount of space available for saving configurations, which means that sometimes fewer than eight configurations can be saved.	Contact your authorized service representative. ¹
ON LINE	N/A	Printer state message: printer is online and in communication with host.	No action is required.
ONLINE 28 CU NOT ENAB	Yes	Controller Unit Not Enabled. Poll time-out error. The printer was not polled for one minute across a coax interface.	Check cable connection and host system.
ONLINE 8344 FAILED*	No	Link-level code test detects hardware failure.	Contact your authorized service representative. ¹
ONLINE CU TIMED OUT	Yes	Controller Unit Timed Out. The printer was not enabled for one minute or more on a coax interface.	Check cable connection and host system.
PAP BAD TABLE*	No	Paper Bad Table. The paper feed process on the controller board has a corrupted table.	Contact your authorized service representative. ¹
PAP BSY TOO LNG*	No	Paper Busy Too Long. Firmware error on controller board.	Contact your authorized service representative. ¹
PAP FD DRVR CIR* See Manual	No	Paper Feed Driver Circuit. The paper feed driver circuit on the controller board is drawing too much current.	Contact your authorized service representative. ¹
PAP FIFO OVERFL*	No	Paper First In First Out Overflow. Firmware error on controller board.	Contact your authorized service representative. ¹

Table 17. LCD Message Troubleshooting Table

Displayed Message	Can User Correct?	Explanation	Solution
PAP FIFO UNDRFL*	No	Paper First In First Out Underflow. Firmware error on controller board.	Contact your authorized service representative. ¹
PAP ILLGL ST*	No	Paper Illegal State. Firmware error on controller board.	Contact your authorized service representative. ¹
PAP INCMPL ENER*	No	Paper Incompletely Energized. Firmware error on controller board.	Contact your authorized service representative. ¹
PAP INVLD CMD*	No	Paper Invalid Command. Firmware error on controller board.	Contact your authorized service representative. ¹
PAP INVLD PARM*	No	Paper Invalid Parameter. Firmware error on controller board.	Contact your authorized service representative. ¹
PAP NOT SCHED*	No	Paper Not Scheduled. The paper feed process is not scheduling on the controller board, and the printer cannot feed paper.	Contact your authorized service representative. ¹
PAP NT AT SPEED*	No	Paper Not At Speed. Firmware error on controller board.	Contact your authorized service representative. ¹
PAP UNEXP INT*	No	Paper Unexpected Interrupt. Firmware error on controller board.	Contact your authorized service representative. ¹
PARAMETER ERROR*	No	Illegal parameter value received in command code over a coax/twinax interface.	Contact your system administrator.
PAPER REQUESTED: A4	Yes	A paper size mismatch is detected.	Check the paper size setting and if necessary, load new media and change the paper size menu option.
PARITY ERROR	Yes	The printed output may contain a random ? (question mark) characters.	Check your printer serial interface parameter settings; if necessary, adjust them so that they match the settings of the attached host.
PLAT INV CMD*	No	Platen Invalid Command. Firmware error on controller board.	Contact your authorized service representative. ¹
PLAT INV PARM*	No	Platen Invalid Parameter. Firmware error on controller board.	Contact your authorized service representative. ¹

Table 17. LCD Message Troubleshooting Table

Displayed Message	Can User Correct?	Explanation	Solution
PLAT INV STATE*	No	Platen Invalid State. Firmware error on controller board.	Contact your authorized service representative. ¹
PLEASE WAIT... RESET IN PROGRESS	N/A	Status message: the printer finished loading the program into flash memory and is automatically resetting itself.	No action is required.
POWER SUPPLY HOT	Yes	Power supply sensors report high temperatures.	Check printer environment. If hot or dusty, relocate printer. Contact your authorized service representative if this occurs frequently. ¹
PRINTER HOT	Yes	This message indicates internal temperatures over 60° Celsius (140° Fahrenheit).	Check printer environment. If hot or dusty, relocate printer. Contact your authorized service representative if this occurs frequently. ¹
PRINTER UNDER REMOTE CONTROL	No	Status message: The printer is under the control of PrintNet Enterprise (PNE) remote management software.	No action is required.
PROTECTED INSTR*	No	Protected Instruction. Firmware error on controller board.	Contact your authorized service representative. ¹
PS/PDF ERROR: JOB ABORTED	Yes	Fault displayed when Postscript/PDF failed to process a job, e.g. an unsupported command or a large job which requires more DRAM to process.	Clear the fault. Postscript/PDF will continue with the next job.
PWR SUPP VOLT *	No	Power Supply Voltage. The power supply has failed.	Replace power supply board.
QUEUE OVERRUN	No	In CT twinax emulation, the print buffer has overflowed.	Contact your authorized service representative. ¹
RBN AT END POINT Change Ribbon	Yes	Integrated Print Management System software has determined that the ribbon is out of ink.	Install a new ribbon.

Table 17. LCD Message Troubleshooting Table

Displayed Message	Can User Correct?	Explanation	Solution
REGIONx MISMATCH Use Correct RBN	Yes	The incorrect cartridge type is being used for the printer. "X" indicates the region of the printer.	Install Region X ribbon cartridge in the printer. NOTE: Specify the region of the printer when ordering ribbons.
REMOVE USED SPX THEN PRESS ENTER	No	Status message: An SPX is depleted because it has successfully reprogrammed the security key on the controller board.	Contact your authorized service representative. ¹
RESTORING BOOT CODE	No	Normal download initialization message.	No action is required.
RIB INVLD CMD* See User Manual	Yes	Ribbon Invalid Command. Firmware error on the controller board.	Cycle power. Run the print job again. If the message appears, download the emulation software again. If the message appears again, contact your authorized service representative. ¹
RIBBON DRIVE	No	The controller board does not detect a ribbon drive motor.	Contact your authorized service representative. ¹
RIBBON STALL	Yes	The controller board does not detect ribbon movement.	Check the ribbon path for jams. Turn the Ribbon Tension Knob clockwise a few rotations. If necessary, install a new ribbon.
RIBBON UNDER 2% Change RBN Soon	Yes	Status message indicating the Integrated Print Management System is enabled and ribbon ink level is 2%.	Install a new ribbon.
RWP DOWNLOAD Please Wait	No	Status message indicating the software in the cartridge is being updated. The user must wait for the update to complete.	No action is required.
SCS COMMAND ERROR*	No	In the CT emulation, the printer received undefined control character (hex 40).	Contact your system administrator.
SECURITY VIOLATION*	No	Security code of PAL on controller board does not match code of firmware on the controller board.	Contact your authorized service representative. ¹

Table 17. LCD Message Troubleshooting Table

Displayed Message	Can User Correct?	Explanation	Solution
SECURITY KEY NOT DETECTED	No	The security key is not present or has failed.	Contact your authorized service representative. ¹
SENDING PROGRAM TO EC PROCESSOR	No	Status message: the printer is loading the engine controller program into the engine controller.	No action is required.
SF ERROR	No	Structured Field Error. Application software has violated structured data field parameters.	Not a printer problem. Have the system administrator correct applications data or configuration.
SHTL MISMATCH Use Correct RBN	Yes	This message displays when an Extended Life Ribbon is mounted on a 500 lpm printer.	Install Standard Life Ribbon.
SHUT DRVR CIR* See User Manual	No	The shuttle driver circuit on the controller board is drawing too much current.	Contact your authorized service representative. ¹
SHUTL INV CMD*	No	Shuttle Invalid Command. Firmware error on controller board.	Contact your authorized service representative. ¹
SHUTL INV PARM*	No	Shuttle Invalid Parameter. Firmware error on controller board.	Contact your authorized service representative. ¹
SHUTL OVR SPEED*	No	The shuttle is oscillating too rapidly.	Contact your authorized service representative. ¹
SHUTTLE JAM	Yes	No shuttle movement or shuttle moving at the wrong speed.	Check for obstruction to shuttle, a twisted ribbon, or platen lever closed too tightly. If fault source is not apparent, contact your authorized service representative. ¹
SHUTTLE STALL	Yes	The shuttle is not moving. See "SHUTTLE JAM" on page 313.	Set the platen lever to match the thickness of paper, but not too tightly. Check and adjust the platen gap. Inspect the ribbon mask for deformation that snags and interferes with shuttle movement. If fault source is not apparent, contact your authorized service representative. ¹

Table 17. LCD Message Troubleshooting Table

Displayed Message	Can User Correct?	Explanation	Solution
SHUTTLE TYPE NOT SUPPORTED*	No	The shuttle type was not detected at power-up or the shuttle installed in the printer is not supported by the firmware.	Contact your authorized service representative. ¹
SOFTWARE ERROR* CYCLE POWER	No	Application software tried to perform illegal printer function, or damaged logic circuits found on controller board.	Contact your authorized service representative. ¹
SPX FOUND, ERROR: KEY NOT DETECTED	No	The controller board does not have a security key.	Contact your authorized service representative. ¹
SPX NOT NEEDED OPTIONS ENABLED	No	The user has attempted to use the SPX to turn on printer options that are already enabled.	Contact your authorized service representative. ¹
STACK OVERFLOW*	No	Firmware error on controller board.	Contact your authorized service representative. ¹
STACK UNDERFLOW*	No	Firmware error on the controller board.	Contact your authorized service representative. ¹
STACKER FAULT	Yes	Stacker is not functioning correctly.	Check for obstructions in the stacker area. If fault persists, contact your authorized service representative. ¹
STACKER FULL	Yes	Status message: the power paper stacker is full of paper.	Unload the stacker. If fault persists, contact your authorized service representative. ¹
STACKER JAM	Yes	This message is triggered if there is paper inside the throat of the stacker elevator, but the elevator is not moving.	1. Open the cabinet rear door and check for obstructions preventing elevator movement. Remove any obstructions. 2. Run the print job again. If the message appears again, contact your authorized service representative. ¹
TABLE MISMATCH DOWNLOAD AGAIN	No	Indicates that the software update has failed and should be reloaded.	Contact your authorized service representative. ¹
TCB CORRUPTED*	No	Task Control Block Corrupted. Firmware error on controller board.	Contact your authorized service representative. ¹

Table 17. LCD Message Troubleshooting Table

Displayed Message	Can User Correct?	Explanation	Solution
TCP PORT BUSY	Yes	Error message reported by the Printer Manager when ethernet interface option is installed. The network address given in the printer properties was reached, but the printer port is busy.	Refer to the <i>Printronix P7000 Maintenance Manual</i> .
TIP MISMATCH Use Correct RBN	Yes	The incorrect cartridge type is being used for the printer.	Install the correct ribbon cartridge type in the printer.
UNDEF INTERRUPT*	No	Undefined Interrupt. Firmware error on controller board.	Contact your authorized service representative. ¹
UNDFNED OPCODE*	No	Undefined Opcode. Firmware error on controller board.	Contact your authorized service representative. ¹
UNKNOWN RBN1 Install New RBN	Yes	The sensor detects a bar code, but the ribbon model is not permitted on this printer.	Install a new ribbon.
UP DRV. SHORT*	No	Upper Driver Short. Hammer driver circuits on the boards shorted to ground.	Cycle power to see if the message clears, if not, contact your authorized service representative. ¹
WAITING FOR ETHERNET ADAPTER	N/A	Status message: Appears when the printer is first powered on if the optional Network Interface Card is installed.	No action is required.
WELD NOT DETECT See User Manual	No	The cartridge weld was not detected.	Contact your authorized service representative. ¹
WELD RESET ERROR See User Manual	No	The cartridge weld circuitry lost power.	Contact your authorized service representative. ¹
WELD SNSR MISSING See User Manual	Yes	The incorrect cartridge type is being used for the printer.	<ol style="list-style-type: none"> 1. Make sure that the correct ribbon cartridge type is installed in the printer. 2. Contact your authorized service representative.¹
<p>¹ Before contacting an authorized service representative, power off the printer, wait 15 seconds, then power it back on and rerun your print job. If the message reappears, press ON LINE/CLEAR. If the fault message still displays, then contact your authorized service representative.</p>			

A

Printer Specifications

Ribbon Cartridge Specifications

P/N	Europe	North America	South America	M.E. & Asia	China & India
255048 Ext Life ASCII	(-401) 4 Pack	(-402) 4-Pack	(-403) 4-Pack	(-403) 4-Pack	(-404) 4-Pack
255049 Std Life ASCII	(-401) 4 Pack (-101) Single	(-402) 4-Pack (-102) Single	(-403) 4-Pack (-103) Single	(-403) 4-Pack (-103) Single	(-404) 4-Pack (-104) Single
255050 Ext Life HD/HANZI	(-401) 4 Pack	(-402) 4-Pack	(-403) 4-Pack	(-403) 4-Pack	(-404) 4-Pack
255041 Std life HD/ HANZI	N/A	N/A	(-103) Single	(-403) 4-Pack (-103) Single	(-404) 4-Pack (-104) Single

Paper Specifications

Type:	Edge-perforated, fan-fold, 3 to 17 inches (7.62 to 43.18 cm) wide, 2 to 12 inches (5.08 to 30.48 cm) long. SureStak Power Stacker option works with forms 5 to 12 inches (12.7 to 30.48 cm) long and up to 16 inches (41 cm) wide without the paper tent or 15.5 inches (39.5 cm) wide with the paper tent installed.
Thickness:	Single-part: 15 to 100 pound (6.80 to 45.36 kg) stock; Multi-part: 1- to 6-part forms (maximum 12 lb [5.44 kg] ply of upper plies)
Sheet Thickness:	0.025 inch (0.064 cm) maximum
Drive:	Adjustable tractors (6-pin engagement)

Labels

On Backing: One-part continuous perforated fanfold back form. Labels must be placed at least 1/6 inch (0.42 cm) from the fan-fold perforation. Backing adhesive must not be squeezed out during printing.

Sheet Size: 3 to 17 inches (7.62 to 43.18 cm) wide, including the two standard perforated tractor feed strips. A maximum sheet length of 16 inches (40.64 cm) between top and bottom perforations.

NOTE: A 16 inch rear door is needed for the cabinet model. Power Paper Stacker option is 5 to 12 inches (12.7 to 30.48 cm) long.

Thickness: Not to exceed 0.025 inch (0.064 cm) (including backing sheet)

Printer Weight And Dimensions

Cabinet Type	Dimensions			Weight	
	Height	Width	Depth	Unpacked	Packaged
Floor Cabinet	42.5 inches	27 inches	29 inches*	225 lbs.	285 lbs.*
Pedestal	35 inches**	26 inches	21 inches	105 lbs.**	115 lbs.**

* With a power stacker, the weight increases by 21 lbs. and the depth increases by 4.75 inches for a deeper rear door.

** With the ZTP option, the weight increases by 12 lbs. and the height is increased by 7 inches.

Environmental Characteristics

Temperature:

Operating: 50° to 104° F (10° to 40° C) up to 5000 feet (1524 meters)
50° to 90° F (10° to 32° C) up to 8000 feet (2438 meters)

Storage: -40° to 158° F (- 40° to 70° C)

Relative Humidity

Operating: 15% to 80% (noncondensing)

Storage: 15% to 90% (noncondensing)

Acoustic Noise Level

Acoustic Noise Levels per ISO 9296	Cabinet Models	Pedestal Models
Printing	50 dB (500 lpm/1000 lpm) 52 dB (1500 lpm) 55 dB (2000 lpm)	65 dB 65 dB NA
	6.8 Bel	8.0 Bel
Standby	48 dB	50 dB
	6.3 Bel	6.5 Bel

Energy Star

The printers described in this *User's Manual* comply with the requirements of the ENERGY STAR[®] Office Equipment Program of the U.S. Environmental Protection Agency.

Electrical Characteristics

	Voltage (+/-10%)	Freq (+/-10%)	Amps	Watts	BTU/Hr
P7005 P70052T	AC 100-120V	50/60 Hz	3	275	940
	AC 200-240V	50/60 Hz	1.5	275	940
P7010 P70102T	AC 100-120V	50/60 Hz	3.5	300	1025
	AC 200-240V	50/60 Hz	1.6	300	1025
P7015 P70152T	AC 100-120V	50/60 Hz	4.5	430	1469
	AC 200-240V	50/60 Hz	1.9	430	1469
P7205	AC 100-120V	50/60 Hz	3.5	350	1195
	AC 200-240V	50/60 Hz	1.6	350	1195
P7210	AC 100-120V	50/60 Hz	3.5	350	1195
	AC 200-240V	50/60 Hz	1.6	350	1195
P7215	AC 100-120V	50/60 Hz	5	460	1571
	AC 200-240V	50/60 Hz	2	460	1571
P7220	AC 100-120V	50/60 Hz	5.5	540	1844
	AC 200-240V	50/60 Hz	2.1	540	1844

The above values are calculated while printing 136 column, all upper case high speed "E's". The stand-by (Energy Saver mode) wattage is 28W (96 BTU/Hr) for all models.

Interfaces

Type:	Standard:	IEEE 1284 Parallel, RS-232 serial
	Optional:	Ethernet 10/100Base-T, Coax*, Twinax*, RS-422 serial*
		*Not available in Taiwan.
Logic Levels:		TTL/EIA [®] -232E/EIA-422B
Transfer Rates:		Up to 200 Kilobytes on parallel interface. Up to 19.2K baud on RS-232 serial interface. Up to 115.2K baud on RS-422 serial interface

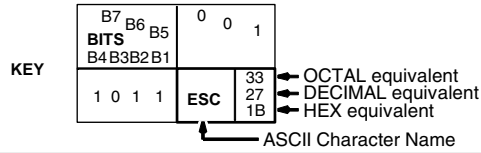
Printing Rates

The printing speed of text is measured in lines per minute (lpm) and is a function of the selected font and the vertical dot density. Printing speed is independent of the number of characters configured in the character set repertoire. Print rates for lines containing attributes such as bold or emphasized printing, superscripts, subscripts, or elongated attributes will decrease to not less than half the rates of the font without such attributes. The exact print rate of lines containing these attributes depends on the specific print job, but software maximizes the throughput by dynamically determining which dot rows contain adjacent dots and must be printed in two strokes.

The reverse paper feed capability allows the printing of multiple densities on a single line. This is useful in printing forms and text together or in mixing different fonts on a print line. Use of multiple densities and reverse paper feed also affects throughput.

B

ASCII Character Set



B7 B6 B5		0	0	0	0	0	1	0	1	0	1	1	0	0	1	1	0	1	1	1													
BITS		COLUMN			2			3			4			5			6			7													
B4	B3	B2	B1	ROW	0	1	2	3	4	5	6	7	8	9	10	11	12	13	14	15													
0	0	0	0	0	NUL	DLE	SP	0	@	P	\	p	20	16	10	40	32	20	60	48	30	100	64	40	120	80	50	140	96	60	160	112	70
0	0	0	1	1	SOH	DC1 (XON)	!	1	A	Q	a	q	21	17	11	41	33	21	61	49	31	101	65	41	121	81	51	141	97	61	161	113	71
0	0	1	0	2	STX	DC2	"	2	B	R	b	r	22	18	12	42	34	22	62	50	32	102	66	42	122	82	52	142	98	62	162	114	72
0	0	1	1	3	ETX	DC3 (XOFF)	#	3	C	S	c	s	23	19	13	43	35	23	63	51	33	103	67	43	123	83	53	143	99	63	163	115	73
0	1	0	0	4	EOT	DC4	\$	4	D	T	d	t	24	20	14	44	36	24	64	52	34	104	68	44	124	84	54	144	100	64	164	116	74
0	1	0	1	5	ENQ	NAK	%	5	E	U	e	u	25	21	15	45	37	25	65	53	35	105	69	45	125	85	55	145	101	65	165	117	75
0	1	1	0	6	ACK	SYN	&	6	F	V	f	v	26	22	16	46	38	26	66	54	36	106	70	46	126	86	56	146	102	66	166	118	76
0	1	1	1	7	BEL	ETB	'	7	G	W	g	w	27	23	17	47	39	27	67	55	37	107	71	47	127	87	57	147	103	67	167	119	77
1	0	0	0	8	BS	CAN	(8	H	X	h	x	30	24	18	50	40	28	70	56	38	110	72	48	130	88	58	150	104	68	170	120	78
1	0	0	1	9	HT	EM)	9	I	Y	i	y	31	25	19	51	41	29	71	57	39	111	73	49	131	89	59	151	105	69	171	121	79
1	0	1	0	10	LF	SUB	*	10	J	Z	j	z	32	26	20	52	42	30	72	58	40	112	74	50	132	90	60	152	106	70	172	122	80
1	0	1	1	11	VT	ESC	+	11	K	[k	{	33	27	21	53	43	31	73	59	41	113	75	51	133	91	61	153	107	71	173	123	81
1	1	0	0	12	FF	FS	,	12	L	\	l		34	28	22	54	44	32	74	60	42	114	76	52	134	92	62	154	108	72	174	124	82
1	1	0	1	13	CR	GS	-	13	M]	m	}	35	29	23	55	45	33	75	61	43	115	77	53	135	93	63	155	109	73	175	125	83
1	1	1	0	14	SO	RS	.	14	N	^	n	~	36	30	24	56	46	34	76	62	44	116	78	54	136	94	64	156	110	74	176	126	84
1	1	1	1	15	SI	US	/	15	O	_	o	DEL	37	31	25	57	47	35	77	63	45	117	79	55	137	95	65	157	111	75	177	127	85

C

Zero Tear Printer

Overview

The P7000 Zero Tear (ZT) printer can print a form and present it for tear off without losing a form between print jobs. The printer automatically presents the current print line to the tear bar when it finishes printing and no data are being sent to the printer. When it receives more data from the host computer, the printer pulls the form down to the print station and resumes printing.

The ZT printer is available:

- as a 500 lpm, 1000 lpm, 1500 lpm standard ASCII printer
- with HD printers.

Operation

Position The Paper Input And Adjust The Paper Guides

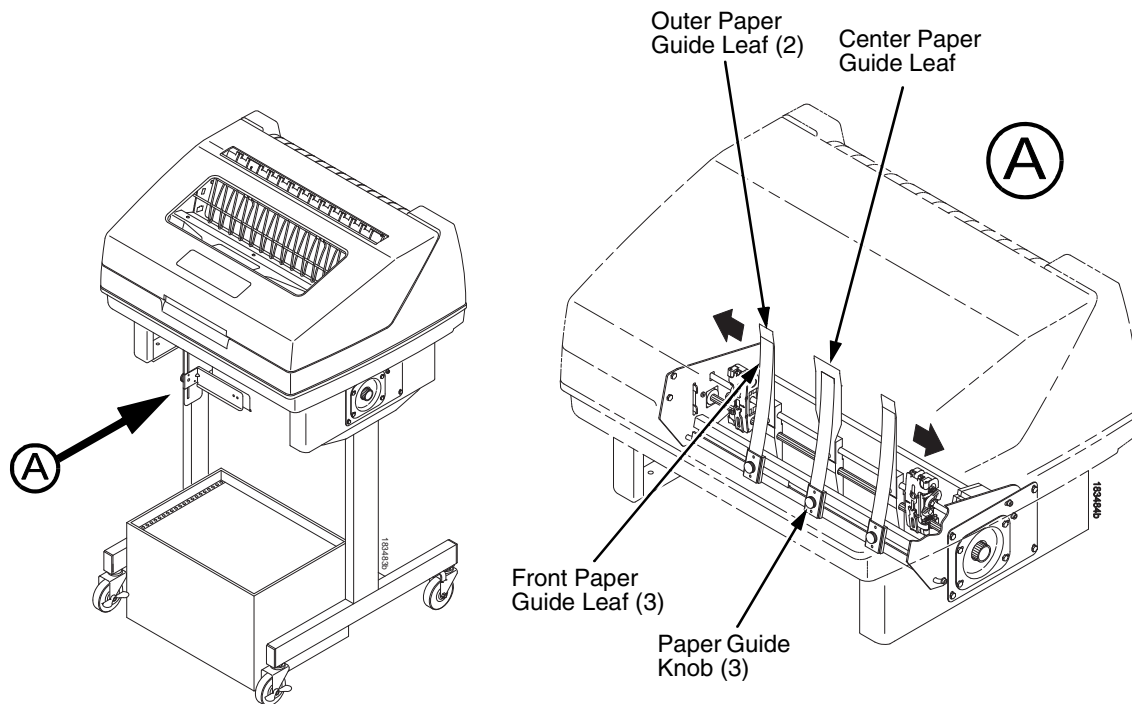


Figure 27. Adjusting The Paper Guides

NOTE: Ensure that the paper guides are not damaged.

1. Remove the left paper guide knob and the left, front paper guide leaf. (See Figure 27.)
2. Remove the right paper guide knob and the right, front paper guide leaf.
3. Remove the center paper guide knob and the center, front paper guide leaf.

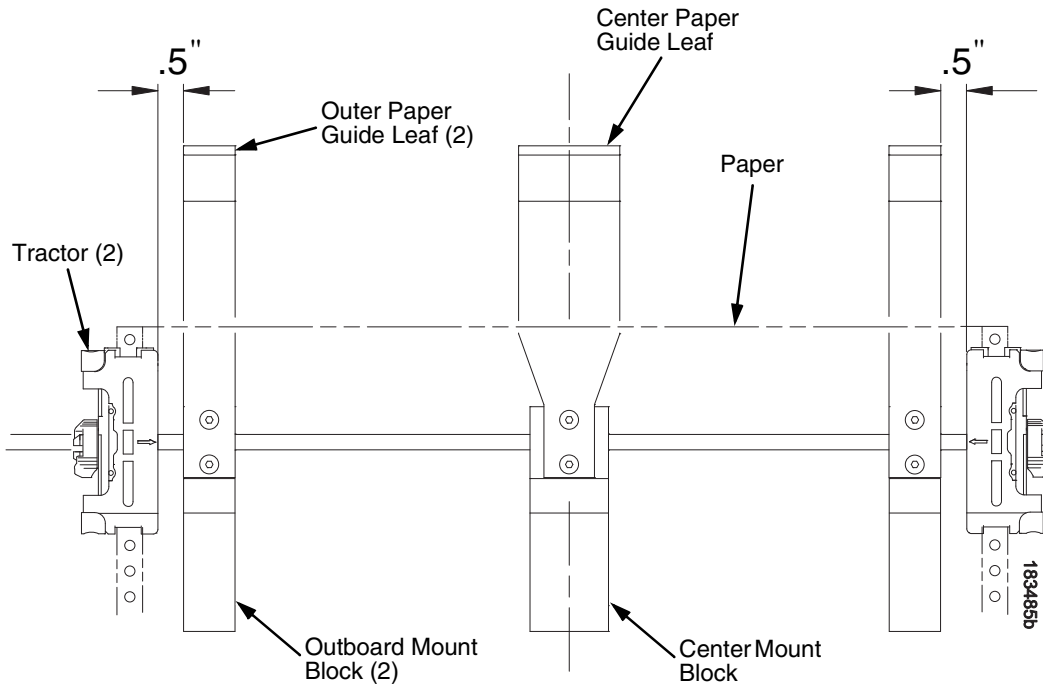


Figure 28. Adjusting Paper Guide Leaves

4. Slide the left outboard mount block so that the left outer paper guide leaf is .5 inches from the left tractor. (See Figure 28).
5. Slide the right outboard mount block so that the right outer paper guide leaf is .5 inches from the right tractor.
6. Slide the center mount block so that the center paper guide leaf is centered between the left and right outer paper guide leaves.
7. Install the paper guide knobs and front paper guide leaves. (See Figure 27.)

Load Paper

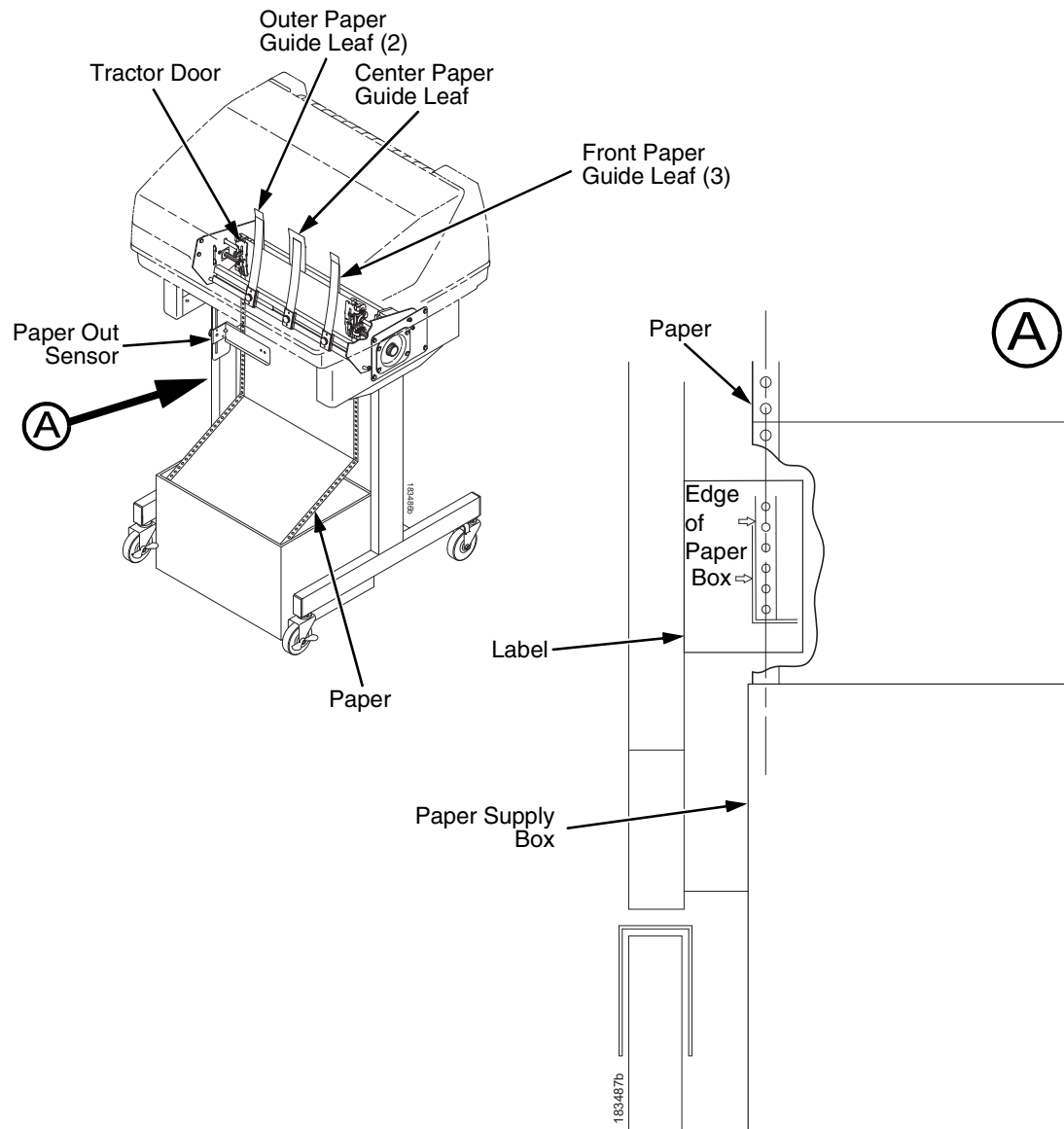


Figure 29. Loading Paper Onto The Printer

1. Align the paper supply box with the label on the bottom left side of the modesty panel. (See Figure 29 on page 328.)
2. Unlock and open the tractor doors and slide the paper from below, through the black paper out sensor slot on the left side, and up between all front and rear paper guides.
3. Load the paper on the left tractor sprockets and close the tractor door.
4. Load the paper onto the right tractor sprockets and close the tractor door.

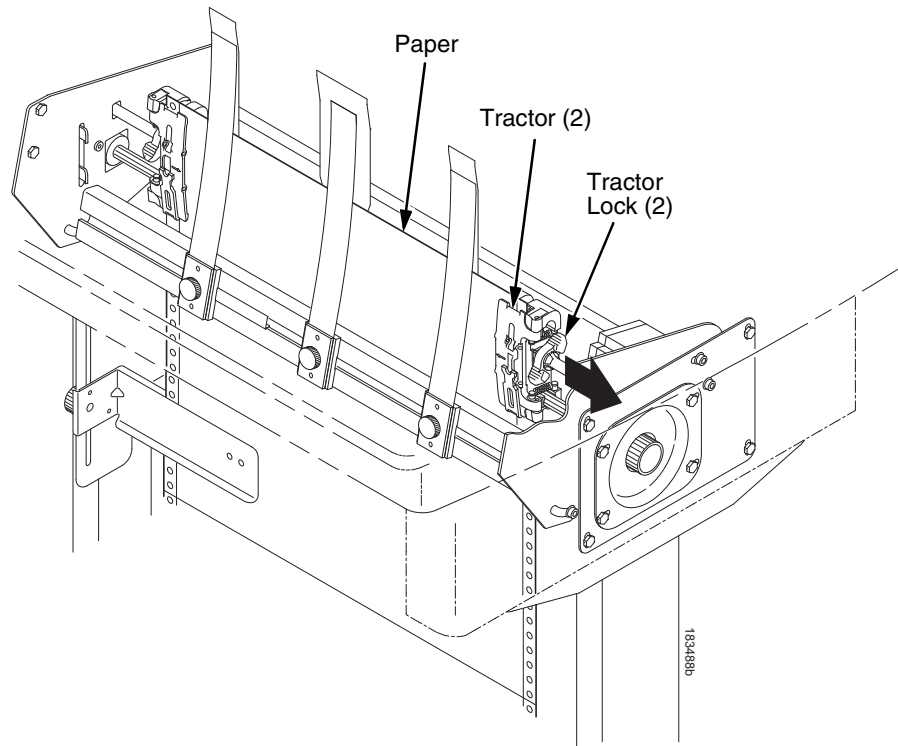


Figure 30. Adjusting the Horizontal Paper Tension

5. Adjust the paper web tightness by sliding the right tractor to remove slack or to adjust for various paper widths. (See Figure 30.)
6. Lock the tractors in position by pressing down on the tractor locks.

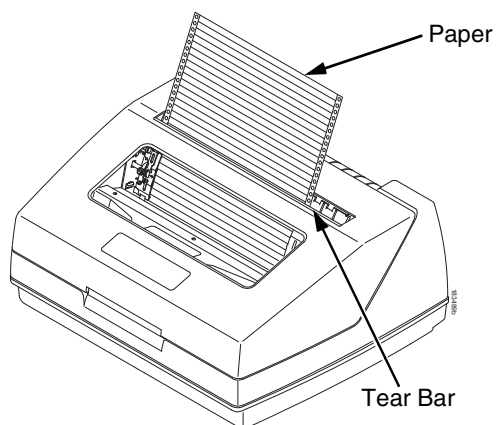


Figure 31. Paper Exiting the Top of the Printer

Position The Paper Out Sensor

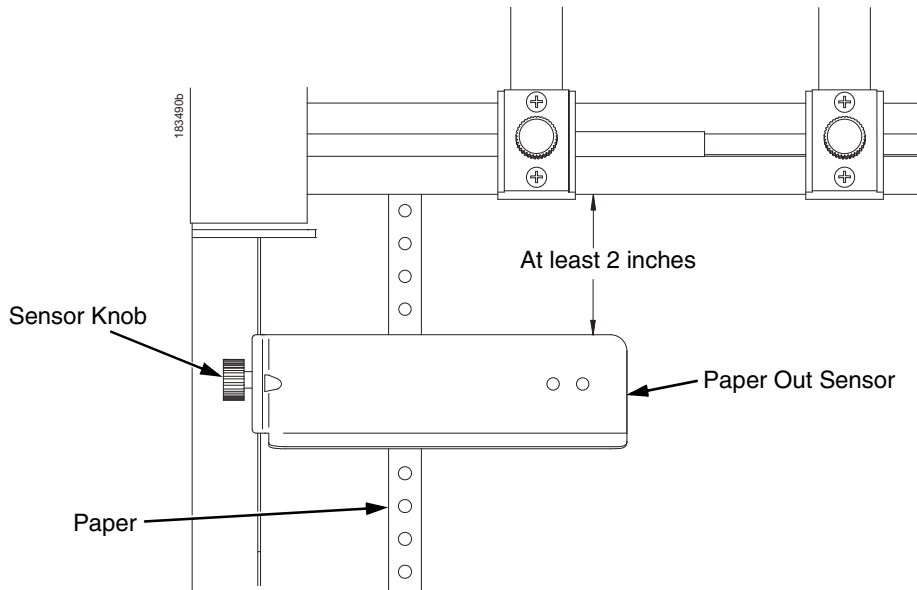


Figure 32. The Paper Out Sensor

The paper out sensor indicates when the printer runs out of paper. (The sensor does not work with black backed forms.) Unlike the standard pedestal printer, the ZT printer requires you to load the paper through the paper out sensor slot (Figure 29 and Figure 32). Correct positioning of the paper out sensor ensures that the last form the printer prints will be properly presented to the tear bar. To position the paper out sensor, do the following:

1. Position the paper properly at the tear bar (page 332).
2. Loosen the paper out sensor by turning the sensor knob counterclockwise.
3. Position the paper out sensor so that there are at least 2 inches between the bottom of the aluminum extrusion bar and the top of the paper out sensor.

IMPORTANT

For optimal performance, 2 inches is recommended for 11 inch forms. For shorter forms, position the paper out sensor so that there are at least 2 inches between a perforation and the top of the paper out sensor.

4. Tighten the paper out sensor by turning the sensor knobs clockwise.
5. Press **ON LINE/CLEAR**. When the first print job is sent to the printer, the paper is drawn into the printer, the top of form aligns with the print station, and the print job begins.

Set The Tear Bar Distance

To set the tear bar distance, do the following steps:

1. Make sure the printer is offline.
2. Press **ENTER** key to enter the menu.
3. Press the right arrow \triangleright until "OFFLINE/ZTP Menu" displays.
4. Press the down arrow ∇ . "ZTP Data Time" displays.
5. Press the right arrow \triangleright until "ZTP TearDistance" displays.
6. Press the down arrow ∇ . "ZTP TearDistance/xx/144 Inch" displays.
7. Press the left arrow \triangleleft or right arrow \triangleright to decrease or increase the tear bar distance in increments of 1/144th of an inch.
8. Press **ENTER** to select the desired value. An asterisk appears next the selected value and a scale prints to indicate the tear bar distance in relation to the tear bar. For correct tear bar distance, the zero should align with the tear bar. See Figure 33.

NOTE: The Tear Distance value must be changed to print the scale.

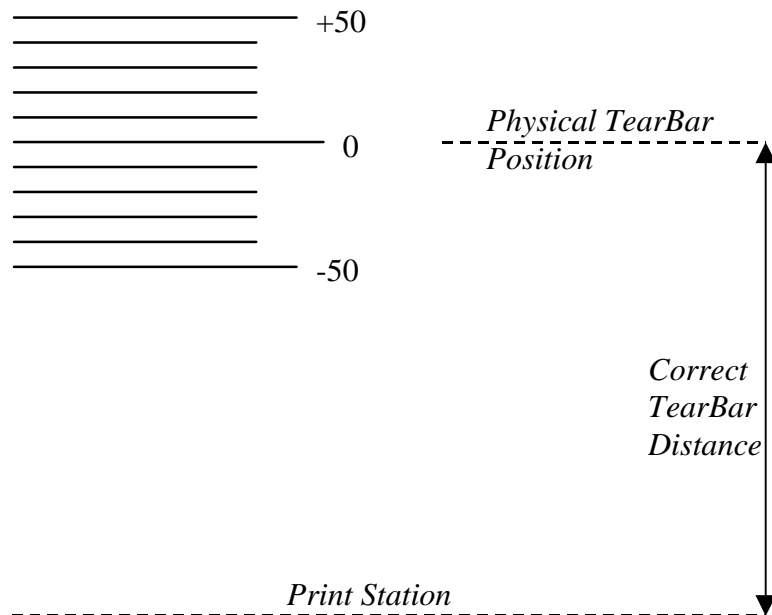


Figure 33. Correct Tear Bar Distance

NOTE: When a new ZTP Tear Bar Dist value is selected, the printer will lose the current print position until you reset the top of form to automatically save the new value.

9. Reset the top of form using the procedure on page 332.

Set The Top Of Form

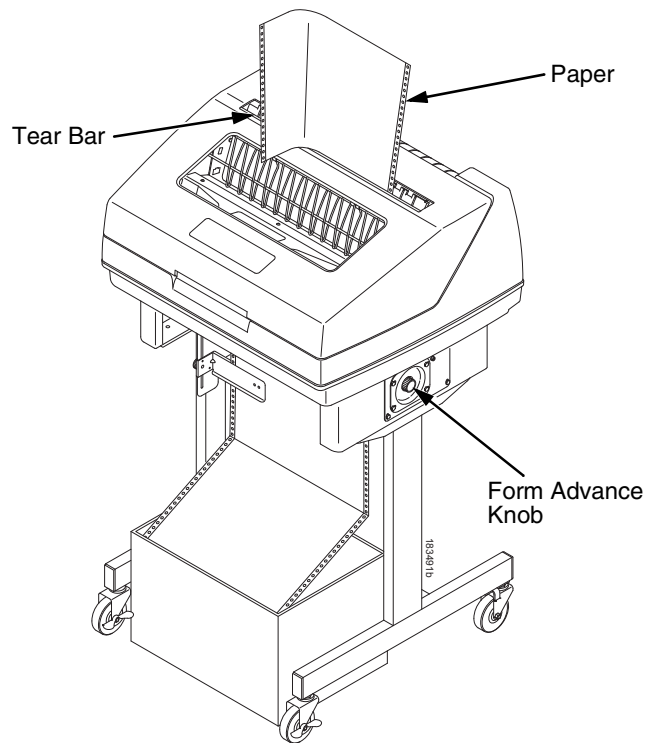


Figure 34. Setting The Tear Off Position

The ZT printer uses the tear bar as the reference point for setting the tear off position. To set the position of the forms perforation to the tear bar, use the SET TOF button as follows:

1. Make sure the paper guides are adjusted correctly and the paper is properly loaded.
2. Press the **SET TOF** button on the control panel. The printer display will read "Align at TearBar/Then Press TOF".
3. Use the form advance knob to move the top of the form to the tear off bar.
4. Position the perforation so it aligns with the tear off bar.

NOTE: This is easily done by advancing one complete sheet above the tear off bar and folding it over at the perforation.

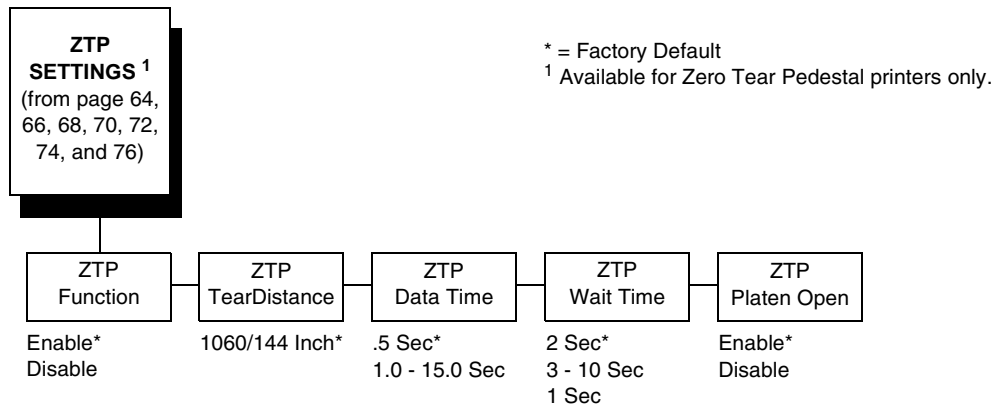
5. Position the fold exactly at the tear bar.
6. Tear the sheet off to ensure proper positioning.

NOTE: If you do not want to lose a form, position the top of the form at the tear bar. Run a finger along the back of the form along the tear bar to ensure the perforation is presented at the tear off point.

7. Press the **SET TOF** button again. The printer display will read "Top Of Form Set/Press ONLINE". The printer will then be brought OFFLINE and the top of form will be set.
8. Press the **ON LINE/CLEAR** key to bring the printer online.

ZTP SETTINGS Menu

The ZTP SETTINGS menu includes the ability to enable and disable features unique to the Zero Tear printer (ZTP), set the tear bar distance, set the auto present data time, and set the auto present wait time. This section defines these options.



ZTP Function

This option enables or disables all unique ZTP functions. The default is Enable.

NOTE: When the ZTP Function is enabled, the VIEW/EJECT key is disabled and Slow Paper Slew is enabled.

ZTP TearDistance

This option sets the tear off distance from the current print position to the tear bar. Adjustable values in increments of 1/144th of an inch range from 200 to 2880. The up and down arrows adjust the display value. When you press the **ENTER** key, the selected value is stored and a scale is printed to indicate the current tear off position. The default value is 1060.

NOTE: When a new value is selected, the printer will lose the current print position. You must reset the top of form to automatically save the new value.

ZTP Data Time

This option sets the pause time in the data stream that the ZTP requires before moving the form to the tear bar once a print job is completed. The values range from .5 to 15 seconds. The default is .5 seconds.

ZTP Wait Time

This option sets the minimum amount of time that the form stays at the tear bar. This allows you time to remove the form before the form is retracted to print the next form. The adjustable values range from 1 to 10 seconds in increments of 1 second. The default value is 2 seconds.

ZTP Platen Open

This option allows the user to have the platen open whenever forms are reversed. Enabled is the default, used for most papers and labels. The feature can be disabled as required by some multi-part forms.

Performance Limitations

Forms Type

The paper feed tractors on the ZT printer push the paper up through the print station instead of pulling it through, as in the standard pedestal printer. This limits the variety of forms the ZT printer can use. If the forms do not fall within the range specified in Table 18, dot compression and line separation may occur. The user should match the media to the application to ensure acceptable print quality. Also, because paper is pushed from below the print station, the last form in the tractors may not print fully or may not be presented to the printer exit for retrieval.

All paper used in the ZT printer requires standard half inch spaced tractor feed holes. Cut sheet and continuous friction fed paper is not supported. The forms specified in Table 18 can have no more than one form per page horizontally.

Table 18. Forms Type

Description	Length	Width (edge to edge)
One to three part, continuous, with carbon, fan-folded, edge-perforated paper forms	3 to 12 inches	7 to 16.5 inches
One to four part, continuous, with carbon, fan-folded, edge-perforated paper forms	3 to 12 inches	7 to 12 inches
One to four part, continuous, carbonless, fan-folded, edge-perforated paper forms	3 to 12 inches	7 to 16.5 inches
One to six part, continuous, carbonless, fan-folded, edge-perforated paper forms	3 to 12 inches	7 to 12 inches
Forms with a paper weight of 20 to 100 pounds and a maximum thickness of 0.025 inches	3 to 12 inches	7 to 16.5 inches
Forms with a paper weight of 18 to 100 pounds and a maximum thickness of 0.025 inches	3 to 12 inches	7 to 12 inches
Forms with all approved types of interleaf edge attachment except those using metallic or other hard devices		

NOTE: If you use forms outside these limits, the print quality may not be optimum, the printer may lose top-of-form, or the frequency of paper jams will increase.

Paper Jams

Printer jams can occur if you tear off the form incorrectly. If you experience two or more paper jams per box of forms, follow these guidelines to help reduce jams:

- Position the lower paper guides properly
- Align the paper web tightness properly
- Position the form perforation against the tear bar
- Time the tear, while the paper is not moving
- Direct the tear force toward the user and across the tear bar, not upward.

To Clear Paper Jams

1. Raise the platen lever to open the platen.
2. Open the left and right tractor doors.
3. Pull the paper upward through the top of the printer.

NOTE: DO NOT pull the paper downwards from the bottom. This could cause the paper guides to bend.

4. Reload the paper (see page 328).

D

Customer Support

Printronix Customer Support Center

IMPORTANT Please have the following information available prior to calling the Printronix Customer Support Center:

- Model number
- Serial number (located on the back of the printer)
- Installed options (i.e., interface and host type if applicable to the problem)
- Configuration printout:
Line Matrix Printer
Press **PRT CONFIG** on the control panel, then press **ENTER**.
- Is the problem with a new install or an existing printer?
- Description of the problem (be specific)
- Good and bad samples that clearly show the problem (faxing or emailing these samples may be required)

Americas (714) 368-2686

Europe, Middle East, and Africa (31) 24 6489 311

Asia Pacific (65) 6548 4114

China (86) 800-999-6836

<http://www.primtronix.com/support.aspx>

Printronix Supplies Department

Contact the Printronix Supplies Department for genuine Printronix supplies.

Americas (800) 733-1900

Europe, Middle East, and Africa 33 (0) 1 46 25 19 07

Asia Pacific (65) 6548 4116
or (65) 6548 4182

China (86) 400-886-5598

India (800) 102-7869

<http://www.primtronix.com/supplies-parts.aspx>

Corporate Offices

Printronix, Inc.
15345 Barranca Parkway
Irvine, CA 92618
U.S.A.
Phone: (714) 368-2300
Fax: (714) 368-2600

Printronix Inc.
c/o Printronix Nederland BV
Bijsterhuizen 11-38
6546 AS Nijmegen
The Netherlands
Phone: (31) 24 6489489
Fax: (31) 24 6489499

Printronix Schweiz GmbH
42 Changi South Street 1
Changi South Industrial Estate
Singapore 486763
Phone: (65) 6542 0110
Fax: (65) 6546 1588

Printronix Commercial (Shanghai) Co. Ltd
22F, Eton Building East
No.555, Pudong Av.
Shanghai City, 200120, P R China
Phone: (86) 400 886 5598
Fax: (86-21) 5138 0564

Visit the Printronix web site at www.primtronix.com

E

Communication Notices

Notices

This information was developed for products and services offered in the U.S.A.

Printronix may not offer the products, services, or features discussed in this document in other countries. Consult your Printronix representative for information on the products and services currently available in your area. Any reference to an Printronix product, program, or service is not intended to state or imply that only that Printronix product, program, or service may be used. Any functionally equivalent product, program, or service that does not infringe any Printronix intellectual property rights may be used instead. However, it is the user's responsibility to evaluate and verify the operation of any non-Printronix product, program, or service.

Printronix may have patents or pending patent applications covering subject matter described in this document. The furnishing of this document does not give you any license to these patents. You can send license inquires, in writing, to:

Printronix, Inc.
15345 Barranca Parkway
Irvine, CA 92618
U.S.A.

The following paragraph does not apply to the United Kingdom or any other country where such provisions are inconsistent with local law:

PRINTRONIX PROVIDES THIS PUBLICATION "AS IS" WITHOUT WARRANTY OF ANY KIND, EITHER EXPRESS OR IMPLIED, INCLUDING, BUT NOT LIMITED TO, THE IMPLIED WARRANTIES OF NON-INFRINGEMENT, MERCHANTABILITY OR FITNESS FOR A PARTICULAR PURPOSE. Some states do not allow disclaimer of express or implied warranties in certain transactions, therefore, this statement may not apply to you.

This information could include technical inaccuracies or typographical errors. Changes are periodically made to the information herein; these changes will be incorporated in new editions of the publication. Printronix may make improvements and/or changes in the product(s) described in this publication at any time without notice.

Any references in this information to non-Printronix Web sites are provided for convenience only and do not in any manner serve as an endorsement of those Web sites. The materials at those Web sites are not part of the materials for this Printronix product and use of those Web sites is at your own risk.

Any performance data contained herein was determined in a controlled environment. Therefore, the results obtained in other operating environments may vary significantly. Some measurements may have been made on development-level systems and there is no guarantee that these measurements will be the same on generally available systems. Furthermore, some measurement may have been estimated through extrapolation. Actual results may vary. Users of this document should verify the applicable data for their specific environment.

Information concerning non-Printronix products was obtained from the suppliers of those products, their published announcements or other publicly available sources. Printronix has not tested those products and cannot confirm the accuracy of performance, compatibility or any other claims related to non-Printronix products. Questions on the capabilities of non-Printronix products should be addressed to the suppliers of those products.

Printronix encourages owners of information technology (IT) equipment to responsibly recycle their equipment when it is no longer needed. Printronix offers a variety of programs and services to assist equipment owners in recycling their IT products. Information on these product recycling offerings can be found on Printronix's Internet site at <http://www.primtronix.com>.

Note!

Before using this information and the product it supports, read the information and Communication Statements on page 341.

If you are viewing this information softcopy, the photographs and color illustrations may not appear.

For online versions of this book, we authorize you to:

- Copy, modify, and print the documentation contained on the media, for use within your enterprise, provided you reproduce the copyright notice, all warning statements, and other required statements on each copy or partial copy.
- Transfer the original unaltered copy of the documentation when you transfer the related Printronix product (which may be either machines you own, or programs, if the program's license terms permit a transfer). You must, at the same time, destroy all other copies of the documentation.

You are responsible for payment of any taxes, including personal property taxes, resulting from this authorization.

Your failure to comply with the terms above terminates this authorization. Upon termination, you must destroy your machine readable documentation.

Energy Star



The Environmental Protection Agency ENERGY STAR® Computers program is a partnership effort with manufacturers of data processing equipment to promote the introduction of energy-efficient personal computers, monitors, printers, fax machines, and copiers to help reduce air pollution and global warming caused by electricity generation.

Printronix participates in this program by introducing printers that reduce power consumption when they are not being used. As an ENERGY STAR® Partner, Printronix has determined that this product meets the ENERGY STAR® guidelines for energy efficiency.

NOTE: The ENERGY STAR® emblem does not represent EPA endorsement of any product or service.

Communication Statements

Federal Communications Commission (FCC) Statement

This equipment has been tested and found to comply with the limits for a Class A digital device, pursuant to Part 15 of the FCC Rules. These limits are designed to provide reasonable protection against harmful interference when the equipment is operated in a commercial environment. This equipment generates, uses, and can radiate radio frequency energy and, if not installed and used in accordance with the instructions, may cause harmful interference to radio communications. Operation of this equipment in a residential area is likely to cause harmful interference in which case the user will be required to correct the interference at his own expense.

Properly shielded and grounded cables and connectors must be used in order to meet FCC emission limits. Printronix is not responsible for any radio or television interference caused by using other than recommended cables and connectors or by unauthorized changes or modifications to this equipment. Unauthorized changes or modifications could void the user's authority to operate the equipment.

This device complies with Part 15 of the FCC Rules. Operation is subject to the following two conditions: (1) this device may not cause harmful interference, and (2) this device must accept any interference received, including interference that may cause undesired operation.

European Union (EU) Conformity Statement



Hereby, Printronix declares that this product is in compliance with the essential requirements and other relevant provisions of Directive 1999/5/EC.

Printronix cannot accept responsibility for any failure to satisfy the protection requirements resulting from a non-recommended modification of the product, including the fitting of non-Printronix option cards.

This product has been tested and found to comply with the limits for Class A Information Technology Equipment according to European standard EN 55022. The limits for Class A equipment were derived for commercial and industrial environments to provide reasonable protection against interference with licensed communication devices.

WARNING

This is a Class A product. In a domestic environment this product may cause radio interference in which case the user may be required to take adequate measures.

Properly shielded and grounded cables and connectors must be used in order to reduce the potential for causing interference to radio and TV communications and to other electrical or electronic equipment. Printronix cannot accept responsibility for any interference caused by using other than recommended cables and connectors.

Industry Canada Compliance Statement

This Class A digital apparatus complies with Canadian ICES-003.

Cet appareil numérique de la classe A conform à la norme NMB-003 du Canada.

Statement of CISPR 22 Compliance

Attention: This is a Class A Product. In a domestic environment this product may cause radio interference in which case the user may be required to take adequate measures.

Japanese VCCI Class A

この装置は、情報処理装置等電波障害自主規制協議会（VCCI）の基準に基づくクラスA情報技術装置です。この装置を家庭環境で使用すると電波妨害を引き起こすことがあります。この場合には使用者が適切な対策を講ずるよう要求されることがあります。

German Conformity Statement

Handbuchtex te: FCC class A entspricht: EMVG Klasse A

Text Für alle in Deutschland vertriebenen EN 55022 Klasse A Geräte:

Zulassungsbescheinigung laut dem Deutschen Gesetz über die elektromagnetische Verträglichkeit von Geräten (EMVG) vom 18. September 1998 (bzw. der EMC EG Richtlinie 89/336):

Dieses Gerät ist berechtigt in Übereinstimmung mit dem Deutschen EMVG das EG-Konformitätszeichen - CE - zu führen. Verantwortlich für die Konformitätserklärung nach Paragraph 5 des EMVG ist die:

Printronix GmbH
Goethering 56
D-63067 Offenbach Germany

Informationen in Hinsicht EMVG Paragraph 4 Abs. (1) 4:

Das Gerät erfüllt die Schutzanforderungen nach EN 55024 und EN 55022 Klasse A.

EN 55022 Klasse A Geräte müssen mit folgendem Warnhinweis versehen werden: "Warnung: dies ist eine Einrichtung der Klasse A. Diese Einrichtung kann im Wohnbereich Funkstörungen verursachen; in diesem Fall kann vom Betreiber verlangt werden, angemessene Maßnahmen durchzuführen und dafür aufzukommen."

EN 55024 Hinweis:

Wird dieses Gerät in einer industriellen Umgebung betrieben (wie in EN 55024 festgelegt), dann kann es dabei eventuell gestört werden. In solch einem Fall ist der Abstand bzw. die Abschirmung zu der industriellen Störquelle zu übergrößen.

Anmerkung:

Um die Einhaltung des EMVG sicherzustellen sind die Geräte, wie in den Printronix Handbüchern angegeben, zu installieren und zu betreiben.

China

Declaration:

This is a Class A product. In a domestic environment this product may cause radio interference in which case the user may need to perform practical actions.

此为A级产品。在生活环境中，该产品可能会造成无线电干扰。在这种情况下，可能需要用户对其干扰采取切实可行的措施。

Altitude and Non-Tropical Climate Statement



仅适用于海拔 2000m 一下地区安全使用



仅适用于非热带气候条件下安全使用

Taiwan

Warning:

This is a Class A product. In a domestic environment this product may cause radio interference in which case the user will be required to take adequate measures.

警告使用者：

這是甲類的資訊產品，在居住的環境中使用時，可能會造成射頻干擾，在這種情況下，使用者會被要求採取某些適當的對策。

CAUTION:

This product is equipped with a 3-wire power cord and plug for the user's safety. Use this power cord in conjunction with a properly grounded electrical outlet to avoid electrical shock.

Software License Agreement

Your printer contains, among other software, Printronix operating software including, but not limited to the Embedded Configurable Operating System (the “eCos Software”) as embedded software. The terms of this Agreement apply only to the eCos Software, and all other embedded software supplied with the printer. You accept the terms of this Agreement by your initial use of your printer.

eCos License

This file is part of eCos, the Embedded Configurable Operating System.

Copyright (C) 1998, 1999, 2000, 2001, 2002 Red Hat, Inc.

eCos is free software; you can redistribute it and/or modify it under the terms of the GNU General Public License as published by the Free Software Foundation; either version 2 or (at your option) any later version.

You should have received a copy of the GNU General Public License along with eCos; if not, write to the Free Software Foundation, Inc., 59 Temple Place, Suite 330, Boston, MA 02111-1307 USA.

eCos is distributed in the hope that it will be useful, but WITHOUT ANY WARRANTY; without even the implied warranty of MERCHANTABILITY or FITNESS FOR A PARTICULAR PURPOSE. See the GNU General Public License for more details.

As a special exception, if other files instantiate templates or use macros or inline functions from this file, or you compile this file and link it with other works to produce a work based on this file, this file does not by itself cause the resulting work to be covered by the GNU General Public License. However the source code for this file must still be made available in accordance with section (3) of the GNU General Public License.

This exception does not invalidate any other reasons why a work based on this file might be covered by the GNU General Public License.

Alternative licenses for eCos may be arranged by contacting Red Hat, Inc. at <http://sources.redhat.com/ecos/ecos-license/>

GNU GENERAL PUBLIC LICENSE

Version 2, June 1991

Copyright (C) 1989, 1991 Free Software Foundation, Inc., 51 Franklin Street, Fifth Floor, Boston, MA 02110-1301 USA Everyone is permitted to copy and distribute verbatim copies of this license document, but changing it is not allowed.

Preamble

The licenses for most software are designed to take away your freedom to share and change it. By contrast, the GNU General Public License is intended to guarantee your freedom to share and change free software--to make sure the software is free for all its users. This General Public License applies to most of the Free Software Foundation's software and to any other program whose authors commit to using it. (Some other Free Software Foundation software is covered by the GNU Lesser General Public License instead.) You can apply it to your programs, too.

When we speak of free software, we are referring to freedom, not price. Our General Public Licenses are designed to make sure that you have the freedom to distribute copies of free software (and charge for this service if you wish), that you receive source code or can get it if you want it, that you can change the software or use pieces of it in new free programs; and that you know you can do these things.

To protect your rights, we need to make restrictions that forbid anyone to deny you these rights or to ask you to surrender the rights. These restrictions translate to certain responsibilities for you if you distribute copies of the software, or if you modify it.

For example, if you distribute copies of such a program, whether gratis or for a fee, you must give the recipients all the rights that you have. You must make sure that they, too, receive or can get the source code. And you must show them these terms so they know their rights.

We protect your rights with two steps: (1) copyright the software, and (2) offer you this license which gives you legal permission to copy, distribute and/or modify the software.

Also, for each author's protection and ours, we want to make certain that everyone understands that there is no warranty for this free software. If the software is modified by someone else and passed on, we want its recipients to know that what they have is not the original, so that any problems introduced by others will not reflect on the original authors' reputation.

Finally, any free program is threatened constantly by software patents. We wish to avoid the danger that redistributors of a free program will individually obtain patent licenses, in effect making the program proprietary. To prevent this, we have made it clear that any patent must be licensed for everyone's free use or not licensed at all.

The precise terms and conditions for copying, distribution, and modification follow.

GNU GENERAL PUBLIC LICENSE

TERMS AND CONDITIONS FOR COPYING, DISTRIBUTION, AND MODIFICATION

This License applies to any program or other work which contains a notice placed by the copyright holder saying it may be distributed under the terms of this General Public License. The "Program", below, refers to any such program or work, and a "work based on the Program" means either the Program or any derivative work under copyright law: that is to say, a work containing the Program or a portion of it, either verbatim or with modifications and/or translated into another language. (Hereinafter, translation is included without limitation in the term "modification".) Each licensee is addressed as "you".

Activities other than copying, distribution and modification are not covered by this License; they are outside its scope. The act of running the Program is not restricted, and the output from the Program is covered only if its contents constitute a work based on the Program (independent of having been made by running the Program). Whether that is true depends on what the Program does.

1. You may copy and distribute verbatim copies of the Program's source code as you receive it, in any medium, provided that you conspicuously and appropriately publish on each copy an appropriate copyright notice and disclaimer of warranty; keep intact all the notices that refer to this License and to the absence of any warranty; and give any other recipients of the Program a copy of this License along with the Program.

You may charge a fee for the physical act of transferring a copy, and you may at your option offer warranty protection in exchange for a fee.

2. You may modify your copy or copies of the Program or any portion of it, thus forming a work based on the Program, and copy and distribute such modifications or work under the terms of Section 1 above, provided that you also meet all of these conditions:
 - a. You must cause the modified files to carry prominent notices stating that you changed the files and the date of any change.
 - b. You must cause any work that you distribute or publish, that in whole or in part contains or is derived from the Program or any part thereof, to be licensed as a whole at no charge to all third parties under the terms of this License.
 - c. If the modified program normally reads commands interactively when run, you must cause it, when started running for such interactive use in the most ordinary way, to print or display an announcement including an appropriate copyright notice and a notice that there is no warranty (or else, saying that you provide a warranty) and that users may redistribute the program under these conditions, and telling the user how to view a copy of this License. (Exception: if the Program itself is interactive but does not normally print such an announcement, your work based on the Program is not required to print an announcement.)

These requirements apply to the modified work as a whole. If identifiable sections of that work are not derived from the Program, and can be reasonably considered independent and separate works in themselves, then this License, and its terms, do not apply to those sections when you distribute them as separate works. But when you distribute the same sections as part of a whole which is a work based on the Program, the distribution of the whole must be on the terms of this License, whose permissions for other licensees extend to the entire whole, and thus to each and every part regardless of who wrote it.

Thus, it is not the intent of this section to claim rights or contest your rights to work written entirely by you; rather, the intent is to exercise the right to control the distribution of derivative or collective works based on the Program.

In addition, mere aggregation of another work not based on the Program with the Program (or with a work based on the Program) on a volume of a storage or distribution medium does not bring the other work under the scope of this License.

3. You may copy and distribute the Program (or a work based on it, under Section 2) in object code or executable form under the terms of Sections 1 and 2 above provided that you also do one of the following:
 - a. Accompany it with the complete corresponding machine-readable source code, which must be distributed under the terms of Sections 1 and 2 above on a medium customarily used for software interchange; or,
 - b. Accompany it with a written offer, valid for at least three years, to give any third party, for a charge no more than your cost of physically performing source distribution, a complete machine-readable copy of the corresponding source code, to be distributed under the terms of Sections 1 and 2 above on a medium customarily used for software interchange; or,
 - c. Accompany it with the information you received as to the offer to distribute corresponding source code. (This alternative is allowed only for noncommercial distribution and only if you received the program in object code or executable form with such an offer, in accord with Subsection b above.)

The source code for a work means the preferred form of the work for making modifications to it. For an executable work, complete source code means all the source code for all modules it contains, plus any associated interface definition files, plus the scripts used to control compilation and installation of the executable. However, as a special exception, the source code distributed need not include anything that is normally distributed (in either source or binary form) with the major components (compiler, kernel, and so on) of the operating system on which the executable runs, unless that component itself accompanies the executable.

If distribution of executable or object code is made by offering access to copy from a designated place, then offering equivalent access to copy the source code from the same place counts as distribution of the source code, even though third parties are not compelled to copy the source along with the object code.

4. You may not copy, modify, sublicense, or distribute the Program except as expressly provided under this License. Any attempt otherwise to copy, modify, sublicense or distribute the Program is void, and will automatically terminate your rights under this License. However, parties who have received copies, or rights, from you under this License will not have their licenses terminated so long as such parties remain in full compliance.
5. You are not required to accept this License, since you have not signed it. However, nothing else grants you permission to modify or distribute the Program or its derivative works. These actions are prohibited by law if you do not accept this License. Therefore, by modifying or distributing the Program (or any work based on the Program), you indicate your acceptance of this License to do so, and all its terms and conditions for copying, distributing or modifying the Program or works based on it.
6. Each time you redistribute the Program (or any work based on the Program), the recipient automatically receives a license from the original licensor to copy, distribute or modify the Program subject to these terms and conditions. You may not impose any further restrictions on the recipients' exercise of the rights granted herein. You are not responsible for enforcing compliance by third parties to this License.
7. If, as a consequence of a court judgment or allegation of patent infringement or for any other reason (not limited to patent issues), conditions are imposed on you (whether by court order, agreement or otherwise) that contradict the conditions of this License, they do not excuse you from the conditions of this License. If you cannot distribute so as to satisfy simultaneously your obligations under this License and any other pertinent obligations, then as a consequence you may not distribute the Program at all. For example, if a patent license would not permit royalty-free redistribution of the Program by all those who receive copies directly or indirectly through you, then the only way you could satisfy both it and this License would be to refrain entirely from distribution of the Program.

If any portion of this section is held invalid or unenforceable under any particular circumstance, the balance of the section is intended to apply and the section as a whole is intended to apply in other circumstances.

It is not the purpose of this section to induce you to infringe any patents or other property right claims or to contest validity of any such claims; this section has the sole purpose of protecting the integrity of the free software distribution system, which is implemented by public license practices. Many people have made generous contributions to the wide range of software distributed through that system in reliance on consistent application of that system; it is up to the author/donor to decide if he or she is willing to distribute software through any other system and a licensee cannot impose that choice.

This section is intended to make thoroughly clear what is believed to be a consequence of the rest of this License.

8. If the distribution and/or use of the Program is restricted in certain countries either by patents or by copyrighted interfaces, the original copyright holder who places the Program under this License may add an explicit geographical distribution limitation excluding those countries, so that distribution is permitted only in or among countries not thus excluded. In such case, this License incorporates the limitation as if written in the body of this License.

9. The Free Software Foundation may publish revised and/or new versions of the General Public License from time to time. Such new versions will be similar in spirit to the present version, but may differ in detail to address new problems or concerns.

Each version is given a distinguishing version number. If the Program specifies a version number of this License which applies to it and "any later version", you have the option of following the terms and conditions either of that version or of any later version published by the Free Software Foundation. If the Program does not specify a version number of this License, you may choose any version ever published by the Free Software Foundation.

10. If you wish to incorporate parts of the Program into other free programs whose distribution conditions are different, write to the author to ask for permission. For software which is copyrighted by the Free Software Foundation, write to the Free Software Foundation; we sometimes make exceptions for this. Our decision will be guided by the two goals of preserving the free status of all derivatives of our free software and of promoting the sharing and reuse of software generally.

NO WARRANTY

11. BECAUSE THE PROGRAM IS LICENSED FREE OF CHARGE, THERE IS NO WARRANTY FOR THE PROGRAM, TO THE EXTENT PERMITTED BY APPLICABLE LAW. EXCEPT WHEN OTHERWISE STATED IN WRITING THE COPYRIGHT HOLDERS AND/OR OTHER PARTIES PROVIDE THE PROGRAM "AS IS" WITHOUT WARRANTY OF ANY KIND, EITHER EXPRESSED OR IMPLIED, INCLUDING, BUT NOT LIMITED TO, THE IMPLIED WARRANTIES OF MERCHANTABILITY AND FITNESS FOR A PARTICULAR PURPOSE. THE ENTIRE RISK AS TO THE QUALITY AND PERFORMANCE OF THE PROGRAM IS WITH YOU. SHOULD THE PROGRAM PROVE DEFECTIVE, YOU ASSUME THE COST OF ALL NECESSARY SERVICING,

REPAIR OR CORRECTION

12. IN NO EVENT UNLESS REQUIRED BY APPLICABLE LAW OR AGREED TO IN WRITING WILL ANY COPYRIGHT HOLDER, OR ANY OTHER PARTY WHO MAY MODIFY AND/OR REDISTRIBUTE THE PROGRAM AS PERMITTED ABOVE, BE LIABLE TO YOU FOR DAMAGES, INCLUDING ANY GENERAL, SPECIAL, INCIDENTAL OR CONSEQUENTIAL DAMAGES ARISING OUT OF THE USE OR INABILITY TO USE THE PROGRAM (INCLUDING BUT NOT LIMITED TO LOSS OF DATA OR DATA BEING RENDERED INACCURATE OR LOSSES SUSTAINED BY YOU OR THIRD PARTIES OR A FAILURE OF THE PROGRAM TO OPERATE WITH ANY OTHER PROGRAMS), EVEN IF SUCH HOLDER OR OTHER PARTY HAS BEEN ADVISED OF THE POSSIBILITY OF SUCH DAMAGES.

END OF TERMS AND CONDITIONS

Artifex Portions Software Copyright Notices

Portions Copyright © 2001/2009 Artifex Software Inc.
This software is based in part on the work of the Independent JPEG Group.
Portions Copyright © 1998 Soft Horizons.
All Rights Reserved.

Index

A

- A TO D OVERUN * message, 288
- Absorb After ^PN, 219
- Absorb After ^PY, 217
- Accented Char, PRINTER CONTROL, 253
- ACCESS NULL PTR * message, 288
- Acknowledge, Centronics Parallel Interface Signals, 271
- Acoustic noise level, 319
- ACTIVATE LOST message, 288
- Active Char Set, 128, 137
 - 3270 Params menu, 143
 - 5250 Params menu, 150
- Active Emulation, 79
- Active IGP Emulation, 79
- Adapter Address, 77
- ADAPTER ADDRESS Menu, 105
 - DHCP, 106
 - Gateway Address, 106
 - IP address, 105
 - MAC address, 106
 - Subnet Mask, 105
- ADAPTER PARAMS Menu, 106
 - ASCII data port, 107
 - Ethernet speed, 108
 - IPDS Data Port, 107
 - Job Control, 108
 - Keep alive timer, 108
 - Nest Serv Type, 107
 - NetBIOS protocol, 107
 - Novell frame, 107
 - Novell protocol, 107
- ADVANCED USER Menu, 254
 - Alarm, 257
 - Auto Elevator, 256
 - Auto Locking, 256
 - Cancel Key, 258
 - Downloaded Fonts, 255
 - File System, 256
 - Hex Dump Mode, 255
 - PMD (Paper Motion Detection) Fault, 256
 - Power Saver Time, 258
 - Power Stacker, 256
 - Power-Up State, 255
 - PTX Setup Option, 255
 - Pwr Save Control, 258
 - RBN End Action, 260
 - RBN Low Action, 260
 - RBN Low Warn @, 259
 - Rcv. Status Port, 258
 - Ret. Status Port, 258
 - Set Lock Key, 259
 - Set Sharing, 257
 - Shuttle Timeout, 257
 - Slow Paper Slew, 257
- AI 00 Spaces, 203, 218
- Alarm, ADVANCED USER Menu, 257
- Alignment, 243
- Alt. Char Set, Proprinter XL Emulation, 180
- Alt. Set 80-9F, 130, 167
 - Epson FX Emulation, 184
 - PTX Transparent, 138
 - Serial Matrix Emulation, 176

ANSI Emulation menu, 188

- Auto LF, 192
- Barcode Darkmode, 194
- BC Check Digit, 194
- Character Set, 193
- CPI/LPI Select, 190
- Define CR Code, 192
- Define LF Code, 192
- ESC c Sequence, 193
- ETX/ACK, 194
- Font Attributes, 190
- Page Format, 191
- Pos. on BC/OvrSz, 194
- Printer Select, 193
- Private Mode, 193
- PUM Default, 194
- Received CR, 193
- Received DEL, 193
- Reset Cmd CFG Ld, 193
- Truncate PI Slew, 194

Antenna, WLAN PARAMS Menu, 115

Ant. Diversity, WLAN PARAMS Menu, 115

Append Rotated, 216

ASCII Character Set, 323

ASCII data port, Adapter Params Menu, 107

ASCII data port, Ethernet Params Menu, 110

Auth Method, WLAN LEAP Menu, 119

Auth Method, WLAN PARAMS Menu, 116

Auto Elevator, ADVANCED USER Menu, 256

Auto FF at ^PN, 220

Auto LF, 166

- ANSI Emulation menu, 192
- Epson FX Emulation, 183
- Proprinter XL Emulation, 179
- P-Series XQ Emulation, 172
- Serial Matrix Emulation, 175

Auto Locking, ADVANCED USER Menu, 256

Auto Save Configuration, 53

Auto Save CONFIG. CONTROL menu

- Auto Save, 87

Auto Skip At End, 132, 146

Auto Switching submenu, 88

- Port Type, 89
- Report Status, 89
- Switch Out On, 89
- Timeout, 89
- Trickle Time, 89

Auto Trickle

- Centronics (Parallel) submenu, 93
- Dataproducts submenu, 96
- IEEE 1284 Parallel (Bidirectional) Submenu, 91

Auto Uppercase, 201

Autowrap, 200

Autowrap, LG Emulation, 236

B

Bar Code Quality, PRINTER CONTROL, 252

Bar Code Verification, 284

Barcode Darkmode, ANSI Emulation menu, 194

Barcode Errors, 221

Barcode Options, 202

- AI 00 Spaces, 203
- C39 Compatbl., 204
- I 2/5 Selection, 203
- Optimized Ratio, 203
- Select SO Char, 203
- UPC Descenders, 202
- User-Def Ratio, 203

Barcode Quality, IPDS Emulation, 226

Barcode Size, IPDS Emulation, 227

Barcode Speed, IPDS Emulation, 226

Barcodes on Page, 250

Baud Rate, Serial submenu, 100

BC Check Digit, ANSI Emulation menu, 194

Bcodes Optimized, 250

Buffer Clear, Dataproducts Parallel Interface Signals, 269

BUFFER OVERRUN message, 291

Buffer Print, 134, 140, 153

- SPC Twx Params, 156

Buffer Reprint, 129, 154

Buffer Size in K
Centronics (Parallel) submenu, 93
Dataproducts submenu, 96
Ethernet submenu, 103, 104
IEEE 1284 Parallel (Bidirectional) Submenu, 90
Serial submenu, 101

Busy On Strobe, Centronics (Parallel) submenu, 93

Busy, Centronics Parallel Interface Signals, 271

Byte Mode, IEEE 1284 Parallel Interface, 272

B00 STATUS SDRAM DETECTION 166MHZ
message, 288

B01 STATUS 8245 SDRAM TEST 32MB
message, 288

B10 ERROR NO DRAM DETECTED*
message, 288

B11 ERROR RAM TEST FAILED* message, 288

B12 ERROR PROGRAM MISSING* message, 289

B13 ERROR NOT COMPATIBLE* message, 289

B19 ERROR DC RETURNED* message, 289

B20 STATUS 00% DOWNLOAD MODE
message, 289

B21 STATUS PRINTER RESET message, 289

B22 ERROR DECOMPRESS SIZE* message, 289

B23 ERROR DECOMPRESS CKSUM*
message, 289

B30 STATUS INITIALIZING, 289

B35 WAITING FOR EC STATUS, 289

B40 ERROR PROM CKSUM BAD* message, 290

B41 ERROR DIM MEMORY NOT SDRAM*
message, 290

B42 ERROR SDRAM ROWS NOT ALLOWED*
message, 290

B43 ERROR SDRAM TOO MANY BANKS*
message, 290

B44 ERROR SDRAM NOT 64 BITS WIDE*
message, 290

B45 ERROR SDRAM IS WRONG VOLTAGE*
message, 290

B46 ERROR SDRAM HAS MIXED SIZES*
message, 290

B47 ERROR SDRAM LARGER THAN 256M*
message, 290

B49 ERROR SDRAM # LOGICAL BANKS*
message, 290

B50 ERROR SDRAM LOGIC COMB BANKS*
message, 290

B50 XX% CLEAR FLASH, 290

B51 XX% LOADING, 291

B53 ERROR 12C NO ARBITRATION, 291

B54 ERROR SDA LINE STUCK LOW, 291

B55 STATUS SEND PROGRAM TO EC, 291

C

Cable Verify, Dataproducts Parallel Interface
Signals, 269

Cancel a print job, 28

Cancel IGP/DCU, 129, 137

CANCEL key, 25

Cancel Key, ADVANCED USER Menu, 258

Cartridge Ribbon System (CRS), 41

Centronics Parallel Interface, 270

Centronics Parallel Interface Signals, 271

- Acknowledge, 271
- Busy, 271
- Data Lines 1 through 8, 271
- Data Strobe, 271
- Fault, 271
- Online, 271
- Paper Empty (PE), 271
- Paper Instruction (PI), 271
- Prime, 271

Centronics (Parallel) submenu, 92

- Auto Trickle, 93
- Buffer Size in K, 93
- Busy On Strobe, 93
- Data Bit 8, 92
- Data Polarity, 92
- Latch Data On, 93
- PI Ignored, 92
- Prime Signal, 93
- Resp. Polarity, 93
- TOF Action, 93
- Trickle Time, 94

Change Case, 130

Change Case, 3270 Params menu, 144

Changing parameter settings, 48
 Changing parameters, example, 50
 Changing Ribbon Cartridge, 43
 Channel, WLAN PARAMS Menu, 114
 Char Set Select, 128, 137
 Character Set, 167

- ANSI Emulation menu, 193
- ASCII, 323
- Epson FX Emulation, 184
- Proprinter XL Emulation, 180
- Serial Matrix Emulation, 176

 Characteristics, environmental, 318
 Cleaning

- exterior, 281
- interior, 282

 Cleaning requirements, 281
 CLEAR key, 24
 CLEAR PAPER JAM message, 291
 Clear to Send (CTS), RS-232, 277
 CLEARING PROGRAM FROM FLASH message, 292
 Clip Page, 241
 Clock Skew, WLAN KERBEROS Menu, 118
 CLOSE PLATEN message, 292
 Coax Emulation menu, 126

- Active Char Set, 128
- Buffer Print, 134
- Buffer Reprint, 129
- Cancel IGP/DCU, 129
- Change Case, 130
- Char Set Select, 128
- Compatibility Op, 131
- Early Print Cmpl, 129
- Format Control, 133
- Host Override, 133
- Image Buf Size, 131
- Intervention Req, 131
- Max. Print Width, 134
- PA1, 128
- PA2, 129
- Prt Partial Line, 128
- PTX Transparent, 130
- SCS Buffer Cntrl, 129
- Set Text Orientn, 131
- Translate Table, 133
- Translation Tbl, 128

 Coax/Twinax (CTHI) Emulation menu, 124

- Simple Prot Conv, 125
- Standard, 124

 Code Page Subset, IPDS Emulation, 228
 COIL HOT message, 292
 Column 132 Wrap, 153
 Compatbl. Mode, 205
 Compatibility Mode, IEEE 1284 Parallel Interface, 272
 Compatibility Op, 131

- Auto Skip At End, 132, 146
- CR at MPP+1, 131, 145
- CR, EM, and NL (3287 only), 146
- CR, EM, & NL (3287 only), 133
- FF After Job, 133, 146
- FF Validity, 132, 146
- Last Char = FF, 132, 145
- NL At MPP+1, 131, 145
- Null Suppression, 132, 145
- Position Aft FF (4234 only), 132, 145

 Compatibility Op, 3270 Params menu, 145
 Compliance, Energy Star, 319
 Component locations, printer, 21
 Compressed CPI, 204
 Compressed Print, P-Series XQ Emulation, 173
 Config Print, PCL-II Emulation, 233
 Configuration

- Main Menu, 47
- overview, 47

 Configurations

- custom, 48
- default, 48
- saving, 53

 Configuration, Auto Save, 53
 CONFIG. CONTROL Menu, 85

CONFIG. CONTROL menu

- Delete Config., 86
- Load Config., 85
- Name Configs, 86
- Power-Up Config., 86
- Print Config., 85
- Protect Configs., 86
- Reset Cfg Names, 86
- Save Config., 85

Contact information, 15

Control Code 06, 165

- P-Series XQ Emulation, 172
- Serial Matrix Emulation, 175

Control Control Code 08, 165

Control panel, 24

Control panel keys

- CANCEL, 25
- CLEAR, 24
- ENTER, 26
- JOB SELECT, 26
- ON LINE, 24
- PAPER ADVANCE, 25
- PREV or NEXT, 27
- PREV + NEXT, 27
- PRT CONFIG, 26
- SET TOF, 26
- UP or DOWN, 26
- UP + DOWN, 27
- VIEW/EJECT key, 25

Conventions, manual, 13

CPI/LPI Select, 159

- ANSI Emulation menu, 190

CR at MPP+1, 131, 145

CR Edit, 200

CRTG COMM ERR message, 292

CRTG MISSING message, 292

CRTG NOT SETx message, 292

CR, EM, and NL (3287 only), 146

CR, EM, & NL (3287 only), 133

CR, LG Emulation, 236

CTL VOLT FAIL * message, 292

Custom configurations, 48

Customer Support Center, 15, 337

C128 Mode Comp, 220

C39 Compatbl., 204, 220

D

Darker print, Integrated Print Management System, 42

Data Bit 8, 222

- Centronics (Parallel) submenu, 92
- Dataproducts submenu, 95

Data Carrier Detect (DCD), RS-232, 277

Data Lines 1 through 8

- Centronics Parallel Interface Signals, 271
- Dataproducts Parallel Interface Signals, 269

Data Polarity

- Centronics (Parallel) submenu, 92
- Dataproducts submenu, 95

Data Protocol, Serial submenu, 98

Data Set Ready (DSR), RS-232, 277

Data Strobe

- Centronics Parallel Interface Signals, 271
- Dataproducts Parallel Interface Signals, 269

Data Term Ready, Serial submenu, 100

Data Terminal Ready (DTR), RS-232, 277

Dataproducts Parallel Interface, 268

Dataproducts Parallel Interface Signals, 269

- Buffer Clear, 269
- Cable Verify, 269
- Data Lines 1 through 8, 269
- Data Strobe, 269
- Demand/Data Request, 269
- Online, 269
- Paper Instruction (PI), 269
- Parity Error, 269
- Ready, 269

Dataproducts submenu, 95

- Auto Trickle, 96
- Buffer Size in K, 96
- Data Bit 8, 95
- Data Polarity, 95
- Latch Data On, 96
- PI Ignored, 95
- Prime Signal, 96

Resp. Polarity, 96
 TOF Action, 96
 Trickle Time, 97
 DATE Menu, 264
 Day, 264
 Hour, 264
 Minute, 264
 Month, 264
 Year, 264
 Day, DATE Menu, 264
 Default Code Page, IPDS Emulation, 227
 Default configurations, 48
 Default Font, IPDS Emulation, 228
 Default WEP Key, WLAN PARAMS Menu, 116
 Define CR Code, 165, 199
 ANSI Emulation menu, 192
 Epson FX Emulation, 183
 Proprinter XL Emulation, 179
 P-Series XQ Emulation, 172
 Serial Matrix Emulation, 175
 Define LF Code, 166, 200
 ANSI Emulation menu, 192
 Epson FX Emulation, 183
 Proprinter XL Emulation, 179
 P-Series XQ Emulation, 173
 Serial Matrix Emulation, 175
 Delete Config., 86
 Demand/Data Request, Dataproducts Parallel
 Interface Signals, 269
 Device Address, 137, 155
 Device ID, 77, 137
 DHCP
 Adapter Address Menu, 106
 Ethernet Address Menu, 109
 WLAN Address Menu, 112
 DIAGNOSTIC PASSED message, 293
 DIAGNOSTICS Menu, 261
 Feature File, 263
 Paper Out Dots, 262
 Print Statistics, 263
 Printer Tests, 261
 Shuttle Type, 263

Software Build, 263
 System Memory, 263
 Test Width, 262
 Dimensions, printer, 18, 318
 Display Functions, PCL-II Emulation, 232
 Display Language, PRINTER CONTROL, 252
 DO NOT POWER OFF message, 293
 Documentation list, 14
 Downloaded Fonts, ADVANCED USER Menu, 255
 DP FIFO Busy* message, 293
 DRVR CIR BAD * message, 293
 D50 STATUS%XX Clearing Flash message, 292
 D50 STATUS%XX Programming, 293
 D55 STATUS Send Program to EC, 293

E

E Net Test Unavailable, 302
 EAP Mode, WLAN EAP Menu, 120
 EAP Username, WLAN EAP Menu, 120
 Early Print Cmpl, 129
 3270 Params menu, 143
 Early Print Comp (Complete), IPDS Emulation, 227
 Electrical Characteristics, 320
 Elong/Alt. Font, P-Series XQ Emulation, 173
 EMULATION Menu, 123
 Postscript/PDF Interpreter, 238
 EMULATION menu, 242
 Emulation, IGP/PGL, 195
 Energy Star compliance, 319
 E-Net Adapter submenu, 103
 ENTER key, 26
 Environmental characteristics, 318
 Epson FX Character Set menu, 185
 PCL-II, 186
 Epson FX Emulation, 183
 Alt. Set 80-9F, 184
 Auto LF, 183
 Character Set, 184
 Define CR Code, 183
 Define LF Code, 183
 Printer Select, 184
 20 CPI Condensed, 184

ERROR CPLD NOT PROGRAMMED
 message, 303
 ERROR DC PROGRAM NOT VALID message, 303
 ERROR DRAM AT ADDRESS XXXXXXXX
 message, 303
 ERROR EC PROGRAM NOT VALID message, 303
 ERROR EC STOPPED AT STATE XXXX
 message, 303
 ERROR FLASH DID NOT PROGRAM
 message, 303
 ERROR FLASH NOT DETECTED message, 303
 Error Handling, 220
 Barcode Errors, 221
 Error Markers, 221
 Error Msgs, 220
 Offpage Errors, 221
 ERROR LOCKED SN=nnnnnnnnnnnnnnnnnnnnnnnnnnnn
 message, 303
 Error Markers, 221
 Error Msgs, 220
 ERROR NO DRAM DETECTED message, 303
 ERROR NVRAM FAILURE message, 304
 ERROR OCCURRED FLUSHING QUEUES*
 message, 304
 ERROR PROGRAM NEEDS MORE DRAM
 message, 304
 ERROR PROGRAM NEEDS MORE FLASH
 message, 304
 ERROR PROGRAM NOT COMPATIBLE
 message, 304
 ERROR PROGRAM NOT VALID message, 304
 Error Report, 207
 ERROR SECURITY KEY NOT DETECTED
 message, 304
 ERROR SHORT AT ADDRESS XXXX
 message, 304
 ERROR WRITING TO FLASH message, 304
 ERROR WRONG CHECKSUM message, 304
 ERROR WRONG OEM message, 304
 ERROR WRONG PRINTER TYPE message, 304
 ESC c Sequence, ANSI Emulation menu, 193
 ESC d command, Serial Matrix Emulation, 176
 ETHERNET ADAPTER BEING INITIALIZED
 message, 305
 Ethernet Address, 78
 ETHERNET ADDRESS Menu, 109
 DHCP, 109
 Gateway address, 109
 IP address, 109
 MAC address, 109
 Subnet mask, 109
 ETHERNET DETECTED message, 305
 ETHERNET INITIALIZING message, 305
 ETHERNET PARAMS Menu, 110
 ASCII data port, 110
 Ethernet speed, 111
 IPDS Data Port, 110
 Job Control, 111
 Keep alive timer, 110
 NetBIOS protocol, 110
 Ethernet speed, Adapter Params Menu, 108
 Ethernet speed, Ethernet Params Menu, 111
 Ethernet submenu, 104
 Buffer Size in K, 103, 104
 ETX/ACK, ANSI Emulation menu, 194
 EVFU, SPC Type, 156
 EXCESS RBN WEAR message, 305
 EXHAUST FAN FLT message, 305
 Expanded Font, 205, 217
 Ext Execute Copy, 202
 Exterior cleaning, 281
 E00 EXE @ ADDR0 message, 293
 E01A TYPE 0x40 message, 294
 E01B TYPE 0x60 message, 294
 E02 MACHINE CHK message, 294
 E03A DSI HASH L message, 294
 E03B DSI HASH S message, 294
 E03C DSI BAT PL message, 295
 E03D DSI BAT message, 295
 E03E DSI CXIWX message, 295
 E03F DSI CXOWX message, 295
 E03G DSI ECXIX message, 295
 E03H DSI ECXOWX message, 296
 E04A ISI NO TRA message, 296

E04B ISI DIRECT message, 296
 E04C ISI PROTEC message, 296
 E06 NOT ALIGNED message, 296
 E07 ILLEGAL INS message, 297
 E08 FLOATINGPNT message, 297
 E12 SYSTEM CALL message, 297
 E13 TRACE INT message, 297
 E16 ITRANS MISS message, 297
 E17 DLOAD MISS message, 298
 E18 DSTORE MISS message, 298
 E19 BREAKPOINT message, 298
 E20 SYS MANAGE message, 298
 E30 DEBUGGER message, 298
 E31A EVENT 0 BP message, 299
 E31B EVENT 1 BP message, 299
 E31C EVENT 2 BP message, 299
 E31D EVENT 3 BP message, 299
 E31E EVENT 4 BP message, 299
 E31F EVENT 5 BP message, 300
 E31G EVENT 6 BP message, 300
 E31H EVENT 7 BP message, 300
 E32A CND 0 BP message, 300
 E32B CND 1 BP message, 300
 E32C CND 2 BP message, 301
 E32D CND 3 BP message, 301
 E32E CND 4 BP message, 301
 E32F CND 5 BP message, 301
 E32G CND 6 BP message, 301
 E32H CND 7 BP message, 302
 E33 WRITE BP message, 302
 E34 TRACE CMPLT message, 302
 E99 UNKNOWN INT message, 302

F

Face CPI Delay, PCL-II Emulation, 231

Fault messages, 286

- A TO D OVERUN *, 288
- ACCESS NULL PTR *, 288
- ACTIVATE LOST, 288
- BUFFER OVERRUN, 291
- B00 STATUS SDRAM DETECTION
166MHZ, 288
- B01 STATUS 8245 SDRAM TEST 32MB, 288

- B10 ERROR NO DRAM DETECTED*, 288
- B11 ERROR RAM TEST FAILED*, 288
- B12 ERROR PROGRAM MISSING*, 289
- B13 ERROR NOT COMPATIBLE*, 289
- B19 ERROR DC RETURNED*, 289
- B20 STATUS 00% DOWNLOAD MODE, 289
- B21 STATUS PRINTER RESET, 289
- B22 ERROR DECOMPRESS SIZE*, 289
- B23 ERROR DECOMPRESS CKSUM*, 289
- B30 STATUS INITIALZING, 289
- B35 STATUS WAITING FOR EC STATUS, 289
- B40 ERROR SDRAMEE PROM CKSUM
BAD*, 290
- B41 ERROR DIM MEMORY NOT
SDRAM*, 290
- B42 ERROR SDRAM ROWS NOT
ALLOWED*, 290
- B43 ERROR SDRAM TOO MANY
BANKS*, 290
- B44 ERROR SDRAM NOT 64 BITS
WIDE*, 290
- B45 ERROR SDRAM IS WRONG
VOLTAGE*, 290
- B46 ERROR SDRAM HAS MIXED SIZES*, 290
- B47 ERROR SDRAM LARGER
THAN 256M*, 290
- B49 ERROR SDRAM # LOGICAL
BANKS*, 290
- B50 ERROR SDRAM LOGIC COMB
BANKS*, 290
- B50 XX% CLEAR FLASH, 290
- B51 XX% LOADING, 291
- B53 ERROR 12C NO ARBITRATION, 291
- B54 ERROR SDA LINE STUCK LOW, 291
- B55 STATUS SEND PROGRAM TO EC, 291
- CLEAR PAPER JAM, 291
- CLEARING PROGRAM FROM FLASH, 292
- CLOSE PLATEN, 292
- COIL HOT, 292
- CRTG COMM ERR, 292
- CRTG MISSING, 292
- CRTG NOT SETx, 292

CTL VOLT FAIL *, 292
 DIAGNOSTIC PASSED, 293
 DO NOT POWER OFF, 293
 DP FIFO Busy*, 293
 DRVR CIR BAD *, 293
 D50 STATUS%XX Clearing Flash, 292
 D51 STATUS%XX Programming, 293
 D55 STATUS Send Program to EC, 293
 ERROR CPLD NOT PROGRAMMED, 303
 ERROR DC PROGRAM NOT VALID, 303
 ERROR DRAM AT ADDRESS
 XXXXXXXX, 303
 ERROR EC PROGRAM NOT VALID, 303
 ERROR EC STOPPED AT STATE XXXX, 303
 ERROR FLASH DID NOT PROGRAM, 303
 ERROR FLASH NOT DETECTED, 303
 ERROR LOCKED
 SN=nnnnnnnnnnnnnnnnnnnnnn, 303
 ERROR NO DRAM DETECTED, 303
 ERROR NVRAM FAILURE, 304
 ERROR OCCURRED FLUSHING
 QUEUES*, 304
 ERROR PRINTER TYPE, 304
 ERROR PROGRAM NEEDS MORE
 DRAM, 304
 ERROR PROGRAM NEEDS MORE
 FLASH, 304
 ERROR PROGRAM NOT COMPATIBLE, 304
 ERROR PROGRAM NOT VALID, 304
 ERROR SECURITY KEY NOT
 DETECTED, 304
 ERROR SHORT AT ADDRESS XXXX, 304
 ERROR WRITING TO FLASH, 304
 ERROR WRONG CHECKSUM, 304
 ERROR WRONG OEM, 304
 ETHERNET ADAPTER BEING
 INITIALIZED, 305
 ETHERNET DETECTED, 305
 ETHERNET INITIALIZING, 305
 EXCESS RBN WEAR, 305
 EXHAUST FAN FLT, 305
 E00 EXE @ ADDR0, 293
 E01A TYPE 0x40, 294
 E01B TYPE 0x60, 294
 E02 MACHINE CHK, 294
 E03A DSI HASH L, 294
 E03B DSI HASH S, 294
 E03C DSI BAT PL, 295
 E03D DSI BAT, 295
 E03E DSI CXIWX, 295
 E03F DSI CXOWX, 295
 E03G DSI ECXIWX, 295
 E03H DSI ECXOWX, 296
 E04A ISI NO TRA, 296
 E04B ISI DIRECT, 296
 E04C ISI PROTEC, 296
 E06 NOT ALIGNED, 296
 E07 ILLEGAL INS, 297
 E08 FLOATINGPNT, 297
 E12 SYSTEM CALL, 297
 E13 TRACE INT, 297
 E16 ITRANS MISS, 297
 E17 DLOAD MISS, 298
 E18 DSTORE MISS, 298
 E19 BREAKPOINT, 298
 E20 SYS MANAGE, 298
 E30 DEBUGGER, 298
 E31A EVENT 0 BP, 299
 E31B EVENT 1 BP, 299
 E31C EVENT 2 BP, 299
 E31D EVENT 3 BP, 299
 E31E EVENT 4 BP, 299
 E31F EVENT 5 BP, 300
 E31G EVENT 6 BP, 300
 E31H EVENT 7 BP, 300
 E32A CND 0 BP, 300
 E32B CND 1 BP, 300
 E32C CND 2 BP, 301
 E32D CND 3 BP, 301
 E32E CND 4 BP, 301
 E32F CND 5 BP, 301
 E32G CND 6 BP, 301
 E32H CND 7 BP, 302
 E33 WRITE BP, 302

E34 TRACE CMPLT, 302
E99 UNKNOWN INT, 302
FIRMWARE ERROR, 305
FM HEADER ERROR, 305
FRAMING ERROR, 306
FREEFORM OFF, 306
FREEFORM ON OFF HOLD KEY
 @ PWRUP, 306
GRF CHECK ERROR PRESS STOP, 306
HAMMER COIL BAD, ###, 307
HAM. COIL OPEN *, 307
HB NOT INSTALLED *, 307
HMR BANK FAN FLT, 307
H00: PCI SLOT ?, 306
H01: PCI J12, 306
H02: PCI J13, 306
ILL EXT BUS ACC *, 307
ILLGL OPR ACCSS *, 308
INCOMPAT E-NET, 308
INTAKE FAN FAULT, 308
INTERRUPT UNUSED VECTOR 00, 308
INVALID ACTIVATE, 308
INVALID COMMAND, 308
LO DRV. SHORT *, 308
LOAD PAPER, 308
LOADING PROGRAM FROM PORT XX%, 308
LOADING PROGRAM INTO FLASH, 308
NEW SPX DETECTED, 309
NON VOLATILE MEMORY FAILED, 309
ON LINE, 309
ONLINE CU TIMED OUT, 309
ONLINE 28 CU NOT ENAB, 309
ONLINE 8344 FAILED, 309
PAP BAD TABLE *, 309
PAP BSY TOO LNG *, 309
PAP FIFO OVERFL *, 309
PAP FIFO UNDRFL *, 310
PAP ILLGL ST *, 310
PAP INCMPL ENER *, 310
PAP INVLD CMD *, 310
PAP INVLD PARM *, 310
PAP NOT SCHED *, 310
PAP NT AT SPEED *, 310
PAP UNEXP INT *, 310
PAPER REQUESTED A4, 310
PARAMETER ERROR, 310
PARITY ERROR, 310
PLAT INV CMD *, 310
PLAT INV PARM *, 310
PLAT INV STATE *, 311
PLEASE WAIT...RESET IN PROGRESS, 311
POWERSUPPLY HOT *, 311
PRINTER HOT *, 311
PRINTER UNDER REMOTE CONTROL, 311
PROTECTED INSTR *, 311
PS/PDF ERROR JOB ABORTED, 311
PWRSUPP VOLT *, 311
QUEUE OVERRUN*, 311
RBN AT END POINT, 311
REGIONx MISMATCH, 312
REMOVE USED SPX, 312
RESTORING BOOT CODE, 312
RIB INVLD CMD*, 312
RIBBON DRIVE, 312
RIBBON STALL, 312
RIBBON UNDER 2%, 312
RWP DOWNLOAD, 312
SCS COMMAND ERROR, 312
SECURITY KEY NOT DETECTED, 313
SECURITY VIOLATION, 312
SENDING PROGRAM TO EC
 PROCESSOR, 313
SF ERROR, 313
SHTL MISMATCH, 313
SHUTL INV CMD *, 313
SHUTL INV PARM *, 313
SHUTL OVR SPEED*, 313
SHUTTLE JAM, 313
SHUTTLE STALL, 313
SHUTTLE TYPE NOT SUPPORTED*, 314
SOFTWARE ERROR* CYCLE POWER, 314
SPX FOUND, ERROR KEY NOT
 DETECTED, 314
SPX NOT NEEDED OPTIONS ENABLED, 314

SSTACKER JAM, 314
STACK OVERFLOW*, 314
STACK UNDERFLOW*, 314
STACKER FAULT, 314
STACKER FULL, 314
TABLE MISMATCH DOWNLOAD AGAIN, 314
TCB CORRUPTED*, 314
TCP PORT BUSY, 315
TIP MISMATCH, 315
UNDEF INTERRUPT*, 315
UNDFNED OPCODE*, 315
UNKNOWN RBN1, 315
UP DRV. SHORT*, 315
WAITING FOR ETHERNET ADAPTER, 315
WELD NOT DETECT, 315
WELD RESET ERROR, 315
WELD SNSR MISSING, 315
x/y BARCODES / Not Found, 291
06 HOST REQUEST, 287
08 HOLD PRINT TIMEOUT, 287
15 COMM CHECK, 287
15V PWR FAIL *, 287
22 INVALID ADDR, 287
23.5V PWR FAIL *, 287
31 PAPER OUT TIMEOUT, 287
32 PAPER JAM TIMEOUT, 287
33 PLATEN OPEN TIMEOUT, 287
34 RIBBON STALL TIMEOUT, 288
48V CIRCUIT*, 288
48V PWR FAIL *, 288
8.5V PWR FAIL *, 287
Fault, Centronics Parallel Interface Signals, 271
Feature File, DIAGNOSTICS, 263
Features, printer, 11
FF After Job, 133, 146
FF Valid at TOF, Proprinter XL Emulation, 179
FF Validity, 132, 146
FF, LG Emulation, 237
File System, ADVANCED USER Menu, 256
FIRMWARE ERROR message, 305
FM HEADER ERROR message, 305

Font Attributes, 160
 ANSI Emulation menu, 190
Font Set, 222
Font Size, IPDS Emulation, 226
Font, LG Emulation, 235
Form Length, 79, 80
Form Width, 80, 81
Format Control, 133, 140
 3270 Params menu, 147
 5250 Params menu, 152
Forms Handling, 201
FRAMING ERROR message, 306
Framing Errors, Serial submenu, 102
FREEFORM OFF message, 306
FREEFORM ON OFF HOLD KEY @ PWRUP
message, 306

G

Gateway Address
 Adapter Address Menu, 106
Gateway address
 Ethernet Address Menu, 109
 WLAN Address Menu, 112
Graphic CharSize, IPDS Emulation, 227
Graphic Chek Cod, 139
Graphic Chek Cod, 5250 Params menu, 151
Graphic Chek Err, 138
Graphic Chek Err, 5250 Params menu, 151
Graphics Density, PCL-II Emulation, 231
Graphics enhancement, 13
Graphics Options, 216
 Absorb After ^PN, 219
 Absorb After ^PY, 217
 AI 00 Spaces, 218
 Append Rotated, 216
 Auto FF at ^PN, 220
 C128 Mode Comp, 220
 C39 Compatbl., 220
 Expanded Font, 217
 Ignore Dots, 216
 Ignore Spaces, 217
 Ignore ^Lxx Cmd., 220
 IGP110 Compatbl., 219

I25 Selection, 218
LP+ Font, 218
Midline PY (includes ^PN), 217
MSI Check Digit, 218
PDF Size Comp., 220
Print Quality, 217
Rot. Char Size, 217
Slash 0, 216
True Vert 1/10, 216
Truncate Alpha, 216
UPC Descenders, 217
Width Limit, 219

Graphics Print, IPDS Emulation, 226
Graphics Quality, IPDS Emulation, 226
Graphics Scaling, IPDS Emulation, 227
Gray Adjust, 242
GRF CHECK ERROR PRESS STOP
message, 306

H

HAMMER COIL BAD, ### Message, 307
HAM. COIL OPEN * message, 307
HB NOT INSTALLED * message, 307
Hex Dump Mode, ADVANCED USER Menu, 255
Hex Dump, printing, 285
Hexdump Mode, IPDS Emulation, 228
HMR BANK FAN FLT Message, 307
Horiz Forms, 81
Horiz Forms, LG Emulation, 236
Hor. Quiet Zone, 247
Host Command, 160
Host Form Length, 204
Host Interface, 77
HOST INTERFACE Menu, 87
 Auto Switching, 88
 Centronics (Parallel), 92
 Dataproducts, 95
 E-Net Adapter, 103
 Ethernet, 104
 IEEE 1284 Parallel (Bidirectional), 90
 Serial, 97

Host Override, 133, 139
 3270 Params menu, 146
 5250 Params menu, 151
Host PI, 222
Hour, DATE Menu, 264
HS Print (High Speed Print), P-Series XQ
Emulation, 173
H00: PCI SLOT ? message, 306
H01: PCI J12 message, 306
H02: PCI J13 message, 306

I

I 2/5 Selection, 203
Idle Response, Serial submenu, 101
IEEE 1284 Parallel Interface, 272
 Byte Mode, 272
 Compatibility Mode, 272
 Nibble Mode, 272
 Signals, 273
IEEE 1284 Parallel (Bidirectional) Submenu, 90
 Auto Trickle, 91
 Buffer Size in K, 90
 Offline Process, 91
 Prime Signal, 90
 TOF Action, 90
 Trickle Time, 91
Ignore Char, 205
Ignore Chars, 221
Ignore CH#1, 221
Ignore CH#2, 221
Ignore Dots, 216
Ignore Spaces, 217
Ignore ^Lxx Cmd., 220
Ignore/DB8 Setup, 221
 Data Bit 8, 222
 Ignore Chars, 221
 Ignore CH#1, 221
 Ignore CH#2, 221
IGP/PGL Emulation, 195
 configuring with the control panel, 196

IGP/PGL submenu, 197
 Auto Uppercase, 201
 Autowrap, 200
 Barcode Options, 202
 Compatbl. Mode, 205
 Compressed CPI, 204
 CR Edit, 200
 Define CR (Carriage Return) Code, 199
 Define LF (Line Feed) Code, 200
 Error Report, 207
 Expanded Font, 205
 Ext Execute Copy, 202
 Forms Handling, 201
 Host Form Length, 204
 Ignore Char, 205
 LG, 199
 PCL-II, 198
 PGL SFCC, 200
 PI Slew Range, 200
 Power On IGP/PGL, 202
 Power on S-Mode, 206
 Print Quality, 206
 Printer PI Line, 206
 Scalable Size, 205
 Select Font, 200, 207
 Select LPI, 201
 Skip Cmd Prefix, 201
 Slash 0, 201
 True Form Slew, 206
 Trunc Dyn Data, 207
 Var Form Adjust, 204
 Var Form Type, 204
 IGP/PGL, Font Set menu, 208
 IGP/VGL Emulation, 209
 configuring with the control panel, 210
 IGP/VGL Font Set Menu, 224
 IGP/VGL submenu, 210
 Error Handling, 220
 Font Set, 222
 Graphics Options, 216
 Ignore/DB8 Setup, 221
 LG, 214
 LPI, 216
 PCL-II, 212
 PI Control, 222
 Prt to Emulate, 223
 SFCC & Pwrap, 215
 IGP110 Compatbl., 219
 ILL EXT BUS ACC * message, 307
 ILLGL OPR ACCSS * message, 308
 Image Buf Size, 131
 INCOMPAT E-NET message, 308
 INTAKE FAN FAULT message, 308
 Integrated Print Management System, 41
 Darker Print, 42
 Lighter Print, 42
 Interface Type, Serial submenu, 98
 Interfaces
 printer, 267
 specifications, 321
 Interior cleaning, 282
 Internat. Mode, WLAN PARAMS Menu, 115
 INTERRUPT UNUSED VECTOR 00 message, 308
 Intervention Req, 131, 153
 Intervention Req, 3270 Params menu, 144
 INVALID ACTIVATE message, 308
 INVALID COMMAND message, 308
 IP address
 Adapter Address Menu, 105
 Ethernet Address Menu, 109
 WLAN Address Menu, 112
 IPDS Data Port, Adapter Params Menu, 107
 IPDS Data Port, Ethernet Params Menu, 110
 IPDS Emulation, 225
 Barcode Quality, 226
 Barcode Size, 227
 Barcode Speed, 226
 Code Page Subset, 228
 Default Code Page, 227
 Default Font, 228
 Early Print Comp (Complete), 227
 Font Size, 226
 Graphic CharSize, 227
 Graphics Quality, 226

Graphics Scaling, 227
Hexdump Mode, 228
I2/5 Checksum, 227
Print IPDS Fonts, 228
Print Quality, 226
VPA Check, 228
I2/5 Checksum, IPDS Emulation, 227
I-2/5 Guard Bars, LG Emulation, 237
I25 Selection, 218

J

Job Control, Adapter Params Menu, 108
Job Control, Ethernet Params Menu, 111
JOB SELECT key, 26

K

KDC Port Number, WLAN KERBEROS Menu, 118
Keep alive timer, Adapter Params Menu, 108
Keep alive timer, Ethernet Params Menu, 110
Kerberos Enable, WLAN KERBEROS Menu, 117
Kerb. Passwrđ, WLAN KERBEROS Menu, 118

L

Label specifications, 318
LAC Approx., 139
LAC Option, 139
Last Char = FF, 132, 145
Latch Data On
 Centronics (Parallel) submenu, 93
 Dataproducts submenu, 96
Lead-in Chars, 130
 PTX Transparent, 138
LEAP Password, WLAN LEAP Menu, 119, 120
LEAP Username, WLAN LEAP Menu, 119
LG Emulation
 Autowrap, 236
 CR, 236
 FF, 237
 Font, 235
 Horiz Forms, 236
 I-2/5 Guard Bars, 237
 LP, 236
 Plot Mode Opt, 237

Print Mode Opt, 237
Unsolicited Rpt, 237
Vert Forms, 235
Lighter print, Integrated Print Management System, 42
Line Terminator, PCL-II Emulation, 232
LinePrinter Plus Emulation submenu, 157
 Barcode Height, 163
 Barcode x-offset, 163
 CPI/LPI Select, 159
 Font Attributes, 160
 Host Command, 160
 Page Format, 162
 PCL-II, 159
 Print Char. Set, 163
 Printer Protocol, 159
 Reset Cmd CFG Ld, 163
 Set Substitution, 163
LO DRV. SHORT * message, 308
Load Config., 83, 85
LOAD PAPER message, 308
LOADING PROGRAM FROM PORT XX% message, 308
LOADING PROGRAM INTO FLASH message, 308
Loading Used Ribbon, 42
Logical Buf Size, 153
LPI, 216
LPI Adjust, PCL-II Emulation, 232
LP, LG Emulation, 236
LP+ Font, 218

M

MAC address
 Adapter Address Menu, 106
 Ethernet Address Menu, 109
 WLAN Address Menu, 112
Main Menu
 OpenPrint P7000 STD Postscript, 74
 P7000 ANSI Firmware, 72
 P7000 HD OpenPrint Postscript/PDF Firmware, 76
 P7000 LG Firmware, 70
 P7000 PCL-II Firmware, 68

P7000 STD Firmware, 64
P7000 TN Firmware, 66
Maintenance, 13
Manual
 conventions, 13
 related documents, 14
 special information, 14
 warnings, 14
Margins, 80
Max Line Width, 81
Max Line Width, PCL-II Emulation, 231
Max PI 16, 222
Max. Print Width, 134, 140
 3270 Params menu, 147
 5250 Params menu, 152
Menu
 ADVANCED USER, 254
 CONFIG. CONTROL, 85
 DATE, 264
 DIAGNOSTICS, 261
 EMULATION, 123, 242
 IGP/PGL Font Set, 208
 navigating, 49
 NETWORK SETUP, 105
 PRINTER CONTROL, 251
 PRINTER MGMT, 265
Mgmt Port Number, PRINTER MGMT Menu, 265
Mgmt Protocol, PRINTER MGMT Menu, 265
Midline PY (includes ^PN), 217
Min Xfer Rate, WLAN PARAMS Menu, 114
Minute, DATE Menu, 264
Month, DATE Menu, 264
Move to TOF, 242
MSI Check Digit, 218

N

Name Configs, 86
Navigating the menus, 49
Nest Serv Type, Adapter Params Menu, 107
NetBIOS protocol, Adapter Params Menu, 107
NetBIOS protocol, Ethernet Params Menu, 110

NETWORK SETUP Menu, 105
 ADAPTER ADDRESS, 105
 ADAPTER PARAMS, 106
 ETHERNET ADDRESS, 109
 ETHERNET PARAMS, 110
 WLAN ADDRESS, 112
 WLAN EAP, 120
 WLAN KERBEROS, 117
 WLAN LEAP, 119
 WLAN PARAMS, 113
NEW SPX DETECTED message, 309
Nibble Mode, IEEE 1284 Parallel Interface, 272
NL At MPP+1, 131, 145, 154
noise level, acoustic, 319
NON VOLATILE MEMORY FAILED message, 309
Novell frame, Adapter Params Menu, 107
Novell protocol, Adapter Params Menu, 107
Null Suppression, 132, 145

O

Offline Process
 IEEE 1284 Parallel (Bidirectional) Submenu, 91
Offline Process, Serial submenu, 102
Offpage Errors, 221
ON LINE key, 24
ON LINE message, 309
One Char Enquiry, Serial submenu, 102
Online
 Centronics Parallel Interface Signals, 271
 Dataproducts Parallel Interface Signals, 269
ONLINE CU TIMED OUT message, 309
ONLINE 28 CU NOT ENAB message, 309
ONLINE 8344 FAILED message, 309
Open Platen @ BOF (Bottom of Form)
 PRINTER CONTROL, 252
OpenPrint P7000 STD Postscript/PDF,
 Main Menu, 74
OpenPrint SURE SCAN menu, 242
 Alignment, 243
 Barcodes on Page, 250
 Bcodes Optimized, 250
 Hor. Quiet Zone, 247
 Optimize Barcode, 243

Update PDF, 249
Ver. Erase Zone, 248
Operating modes, 23
Operation Mode, WLAN PARAMS Menu, 114
Operational procedures
cancel a print job, 28
reload paper, 29
unload paper, 38
Optimize Barcode, 243
Optimized Ratio, 203
Optimizing print quality, 58
Optimizing print speed, 59
Output Darkness, 41
Overstrike, 166
Serial Matrix Emulation, 175
Overview, Main Menu, 47
Overview, printer models, 11

P

Page Format, 162
ANSI Emulation menu, 191
Page Length Rep, 81
Page Length Rep, PCL-II Emulation, 231
Page L./Inches, PCL-II Emulation, 232
Page L./Lines, PCL-II Emulation, 232
PAP BAD TABLE * message, 309
PAP BSY TOO LNG * message, 309
PAP FIFO OVERFL * message, 309
PAP FIFO UNDRFL * message, 310
PAP ILLGL ST * message, 310
PAP INCMPL ENER * message, 310
PAP INVLD CMD * message, 310
PAP INVLD PARM * message, 310
PAP NOT SCHED * message, 310
PAP NT AT SPEED * message, 310
PAP UNEXP INT * message, 310
Paper
reload, 29
unload, 38
PAPER ADVANCE key, 25
Paper Empty (PE)
Centronics Parallel Interface Signals, 271
Paper Instruction (PI)
Centronics Parallel Interface Signals, 271
Dataproducts Parallel Interface Signals, 269
Paper Out Dots, DIAGNOSTICS, 262
PAPER REQUESTED A4 message, 310
Paper Size, 82, 240
Paper Size Fault, 241
Paper specifications, 317
Parallel Interface
Centronics, 270
Dataproducts, 268
PARAMETER ERROR message, 310
Parameter settings
changing, 48
saving, 48
Parameters, changing, example, 50
Parity Error
Dataproducts Parallel Interface Signals, 269
PARITY ERROR message, 310
Parity, Serial submenu, 100
PA1, 128, 153
PA2, 129, 154
PCL-II Emulation, 229
Config Print, 233
Display Functions, 232
Face CPI Delay, 231
Graphics Density, 231
Line Terminator, 232
LPI Adjust, 232
Max Line Width, 231
Page Length Rep, 231
Page L./Inches, 232
Page L./Lines, 232
Perforation Skip, 231
Primary Char. Set, 231
PTX Linefeed, 232
Reset Cmd CFG Ld, 233
Second Char. Set, 231
Symbol Set Print, 233
PDF Size Comp., 220
Perforation Skip, PCL-II Emulation, 231
PGL SFCC, 79, 200

PI Control, 222
 Host PI, 222
 Max PI 16, 222
 Printer PI, 222
 PI Ignored
 Centronics (Parallel) submenu, 92
 Dataproducts submenu, 95
 PI Slew Range, 200
 PLAT INV CMD * message, 310
 PLAT INV PARM * message, 310
 PLAT INV STATE * message, 311
 PLEASE WAIT...RESET IN PROGRESS
 message, 311
 Plot Mode Opt, LG Emulation, 237
 PMD (Paper Motion Detection) Fault, ADVANCED
 USER, 256
 PNE Port Number, PRINTER MGMT Menu, 265
 PNE Port Timeout, PRINTER MGMT Menu, 265
 PNE Port, PRINTER MGMT Menu, 265
 Poll Character, Serial submenu, 101
 Poll Response, Serial submenu, 101
 Port Type, Auto Switching submenu, 89
 Position Aft FF (4234 only), 132, 145
 Postscript/PDF Interpreter, 238
 Postscript/PDF submenu
 Clip Page, 241
 Gray Adjust, 242
 Move to TOF, 242
 Paper Size, 240
 Paper Size Fault, 241
 Resolution, 239
 Pos. on BC/OvrSz, ANSI Emulation menu, 194
 Power Consumption, 320
 Power Mgmt, WLAN PARAMS Menu, 115
 Power On IGP/PGL, 202
 Power requirements, 17
 Power Saver Time, ADVANCED USER, 258
 Power Stacker, ADVANCED USER Menu, 256
 POWER SUPPLY HOT * message, 311
 Power Up ^ F, 215
 Power Up ^ X, 215
 Power Up ^PY, 216
 Powering on the printer, 23
 Power-on S-Mode, 206
 Power-Up Config, 84
 Power-Up Config., 86
 Power-Up State, ADVANCED USER Menu, 255
 Preamble, WLAN PARAMS Menu, 115
 PREV or NEXT key, 27
 PREV + NEXT key, 27
 Primary Char. Set, PCL-II Emulation, 231
 Prime Signal
 Centronics (Parallel) submenu, 93
 Dataproducts submenu, 96
 IEEE 1284 Parallel (Bidirectional) Submenu, 90
 Prime, Centronics Parallel Interface Signals, 271
 Print Char. Set, 163
 Print Config., 85
 Print IPDS Fonts, IPDS Emulation, 228
 Print job, cancel, 28
 Print Mode Opt, LG Emulation, 237
 Print Quality, 206, 217
 optimizing, 58
 Print speed, optimizing, 59
 Print Statistics, DIAGNOSTICS, 263
 Printer
 component locations, 21
 control panel, 24
 dimensions, 18, 318
 exterior cleaning, 281
 features, 11
 interior cleaning, 282
 maintenance, 13
 models, 11
 operating modes, 23
 powering on, 23
 site requirements, 17
 weight, 318
 PRINTER CONTROL Menu, 251
 Accented Char, 253
 Bar Code Quality, 252
 Display Language, 252
 Open Platen @ BOF (Bottom of Form), 252
 Ribbon End Point, 251

Tear Bar Dist. (Distance), 252
 Unidirectional, 252
 View Function, 252
 PRINTER HOT * message, 311
 Printer interfaces, 267
 PRINTER MGMT Menu, 265
 Mgmt Port Number, 265
 Mgmt Protocol, 265
 PNE Port, 265
 PNE Port Number, 265
 PNE Port Timeout, 265
 Status Port Numb, 265
 Printer PI, 222
 Printer PI Line, 206
 Printer Protocol, 79, 159
 Printer Select
 ANSI Emulation menu, 193
 Epson FX Emulation, 184
 Serial Matrix Emulation, 176
 Printer Tests, DIAGNOSTICS, 261
 Printer Type, SPC Type, 156
 PRINTER UNDER REMOTE CONTROL
 message, 311
 Printing rates, 321
 Printing, Hex Dump, 285
 PrintNet Enterprise, consumable monitoring, 13
 Private Mode, ANSI Emulation menu, 193
 Proprinter XL Character Set menu, 181
 LG, 182
 PCL-II, 182
 Proprinter XL Emulation, 179
 Alt. Char Set, 180
 Auto LF, 179
 Character Set, 180
 Define CR Code, 179
 Define LF Code, 179
 FF Valid at TOF, 179
 20 CPI Condensed, 180
 Protect Configs., 86
 PROTECTED INSTR * message, 311
 PRT CONFIG key, 26
 Prt Partial Line, 128, 137
 3270 Params menu, 143
 5250 Params menu, 150
 Prt to Emulate, 223
 P-Series Character Set menu, 168
 LG, 171
 PCL-II, 170
 PSeries Dbl High, 167
 P-Series Emulation, 164, 165
 Alt. Set 80-9F, 167
 Auto LF, 166
 Character Set, 167
 Control Code 06, 165
 Control Code 08, 165
 Define CR Code, 165
 Define LF Code, 166
 FF Valid at TOF, 167
 LG, 165
 Overstrike, 166
 PCL-II, 164
 PSeries Dbl High, 167
 P-Series SFCC, 166
 SFCC d Command, 167
 VFU Select, 167
 P-Series SFCC, 80, 166
 P-Series XQ Emulation, 172
 Auto LF, 172
 Compressed Print, 173
 Control Code 06, 172
 Define CR Code, 172
 Define LF Code, 173
 Elong/Alt. Font, 173
 HS Print (High Speed Print), 173
 Slew Relative, 174
 Upr. Case Select, 174
 VFU Select, 173
 PS/PDF ERROR JOB ABORTED message, 311
 PTX Linefeed, PCL-II Emulation, 232
 PTX Setup Option, ADVANCED USER Menu, 255
 PTX Transparent, 130, 138
 Alt. Set 80-9F, 130, 138
 Lead-in Chars, 130, 138
 Usr Defined HTRN, 130, 138

3270 Params menu, 143
5250 Params menu, 150
PUM Default, ANSI Emulation menu, 194
Pwr Save Control, ADVANCED USER, 258
PWRSUPP VOLT * message, 311
P7000 ANSI Firmware, Main Menu, 72
P7000 HD OpenPrint Postscript/PDF Firmware,
Main Menu, 76
P7000 LG Firmware, Main Menu, 70
P7000 PCL-II Firmware, Main Menu, 68
P7000 STD Firmware, Main Menu, 64
P7000 TN Firmware, Main Menu, 66

Q

QUEUE OVERRUN* message, 311
QUICK SETUP menu
 Active Emulation, 79
 Active IGP Emulation, 79
 Adapter Address, 77
 Device ID, 77
 Ethernet Address, 78
 Form Length, 79, 80
 Form Width, 80, 81
 Horiz Forms, 81
 Host Interface, 77
 Load Config., 83
 Margins, 80
 Max Line Width, 81
 Page Length Rep, 81
 Paper Size, 82
 PGL SFCC, 79
 Power-Up Config, 84
 Printer Protocol, 79
 P-Series SFCC, 80
 Resolution, 82
 Ribbon End Point, 83
 Save Config, 84
 Select CPI, 80
 Select LPI, 80
 Vert Forms, 81
 WLAN Address, 78
 ZTP Data Time, 78
 ZTP TearDistance, 79

ZTP Wait Time, 78
Quiet Zone Fault, 248

R

RBN AT END POINT message, 311
RBN End Action, ADVANCED USER Menu, 260
RBN Low Action, ADVANCED USER Menu, 260
RBN Low Warn @, ADVANCED USER Menu, 259
Rcv. Status Port, ADVANCED USER Menu, 258
Ready, Dataproducts Parallel Interface
Signals, 269
Receive Data (RD), RS-232, 277
Received CR, ANSI Emulation menu, 193
Received DEL, ANSI Emulation menu, 193
REGIONx MISMATCH message, 312
Reload paper, 29
REMOVE USED SPX message, 312
Renew Lifetime, WLAN KERBEROS Menu, 118
Report Status, Auto Switching submenu, 89
Request to Send
 RS-232, 277
 Serial submenu, 101
Requirements
 power, 17
 printer site, 17
Reset Cfg Names, 86
Reset Cmd CFG Ld, 163
 ANSI Emulation menu, 193
Reset Cmd CFG Ld, PCL-II Emulation, 233
Reset EAP Password, WLAN EAP Menu, 120
Reset EAP User, WLAN EAP Menu, 120
Reset Kerb. Pwd, WLAN KERBEROS Menu, 118
Reset LEAP Password, WLAN LEAP Menu, 119
Reset LEAP User, WLAN LEAP Menu, 119
Reset SSID Name, WLAN PARAMS Menu, 114
Reset WEP Keys, WLAN PARAMS Menu, 116
Reset WPA P-Phs, WLAN PARAMS Menu, 117
Resistor configurations, terminating, 275
Resistors
 installation, 276
 removal, 276
Resistors, terminating
 location of, 276

Resolution, 82, 239
Resp. Polarity
 Centronics (Parallel) submenu, 93
 Dataproducts, 96
RESTORING BOOT CODE message, 312
Ret. Status Port, ADVANCED USER Menu, 258
RIB INVLD CMD* message, 312
Ribbon Cartridge, changing, 43
RIBBON DRIVE message, 312
Ribbon End Point, 83
Ribbon End Point, PRINTER CONTROL, 251
RIBBON STALL message, 312
RIBBON UNDER 2% message, 312
Rot. Char Size, 217
RS-232, 277
 Clear to Send (CTS), 277
 Data Carrier Detect (DCD), 277
 Data Set Ready (DSR), 277
 Data Terminal Ready (DTR), 277
 Receive Data (RD), 277
 Request to Send (RTS), 277
 Transmit Data (TD), 277
RS-232 Serial Interfaces, 276
RS-422, 278
RS-422 Serial Interfaces, 276
RWP DOWNLOAD message, 312

S

Save Config, 84, 85
Save, Auto, 53
Saving new configurations, 53
Saving parameter settings, 48
Scalable Size, 205
SCS Buffer Cntrl, 129
SCS COMMAND ERROR message, 312
Second Char. Set, PCL-II Emulation, 231
SECURITY KEY NOT DETECTED message, 313
SECURITY VIOLATION message, 312
Select CPI, 80
Select Font, 200, 207
Select LPI, 80, 201
Select SO Char, 203

SENDING PROGRAM TO EC PROCESSOR
message, 313
Serial Interfaces
 RS-232, 276
 RS-422, 276
Serial Matrix Character Set menu, 177
Serial Matrix Emulation, 174
 Alt. Set 80-9F, 176
 Auto LF, 175
 Character Set, 176
 Control Code 06, 175
 Define CR Code, 175
 Define LF Code, 175
 ESC d command, 176
 Overstrike, 175
 Printer Select, 176
Serial submenu, 97
 Baud Rate, 100
 Buffer Size in K, 101
 Data Protocol, 98
 Data Term Ready, 100
 Framing Errors, 102
 Idle Response, 101
 Interface Type, 98
 Offline Process, 102
 One Char Enquiry, 102
 Parity, 100
 Poll Character, 101
 Poll Response, 101
 Request to Send, 101
 Stop Bits 1, 100
 Word Length, 100
Set Lock Key, ADVANCED USER Menu, 259
Set Sharing, ADVANCED USER Menu, 257
Set Text Orientn, 131, 139
 3270 Params menu, 144
 5250 Params menu, 151
SET TOF key, 26
SF ERROR message, 313
SFCC Char, SPC Type, 156
SFCC d Command, 167

SFCC & Pwrup, 215
 Power Up ^ F, 215
 Power Up ^ PY, 216
 Power Up ^ X, 215
 VGL SFCC, 215
 SHTL MISMATCH message, 313
 SHUTL INV CMD * message, 313
 SHUTL INV PARM * message, 313
 SHUTL OVR SPEED* message, 313
 SHUTTLE JAM message, 313
 SHUTTLE STALL message, 313
 Shuttle Timeout, ADVANCED USER Menu, 257
 SHUTTLE TYPE NOT SUPPORTED*
 message, 314
 Shuttle Type , DIAGNOSTICS, 263
 Signal Strenth, WLAN PARAMS Menu, 114
 Signals
 Centronics Parallel Interface, 271
 Dataproducts Parallel Interface, 269
 IEEE 1284 Parallel Interface, 273
 Simple Prot Conv, 125
 Site requirements, 17
 Skip Cmd Prefix, 201
 Slash 0, 201, 216
 Slew Relative, P-Series XQ Emulation, 174
 Slow Paper Slew, ADVANCED USER Menu, 257
 Software Build, DIAGNOSTICS, 263
 SOFTWARE ERROR* CYCLE POWER
 message, 314
 SPC Char Set, SPC Type, 156
 SPC Coax Params, 152
 Buffer Print, 153
 Buffer Reprint, 154
 Column 132 Wrap, 153
 Intervention Req, 153
 Logical Buf Size, 153
 NL At MPP+1, 154
 PA1, 153
 PA2, 154
 SPC Null Supp, 154
 SPC Space Supp, 154
 Translation Tbl, 153
 Usr Defined HTRN, 153
 SPC Null Supp, 154
 SPC Space Supp, 154
 SPC Twx Params, 155
 Buffer Print, 156
 SPC Type, 156
 Translation Tbl, 156
 SPC Type, 156
 EVFU, 156
 Printer Type, 156
 SFCC Char, 156
 SPC Char Set, 156
 Usr Defined HTRN, 156
 Special information, 14
 Specifications
 interfaces, 321
 label, 318
 paper, 317
 Speed print, 321
 SPX FOUND, ERROR KEY NOT DETECTED
 message, 314
 SPX NOT NEEDED OPTIONS ENABLED
 message, 314
 SSID Name, WLAN PARAMS Menu, 114
 STACK FAULT message, 314
 STACK OVERFLOW* message, 314
 STACK UNDERFLOW* message, 314
 STACKER FULL message, 314
 STACKER JAM message, 314
 Standard, CTHI, 124
 Status Port Numb, PRINTER MGMT Menu, 265
 Stop Bits 1, Serial submenu, 100
 Submenu
 IGP/PGL, 197
 IGP/PGL with LG, 199
 IGP/PGL with PCL-II, 198
 IGP/VGL, 210
 IGP/VGL with LG, 214
 IGP/VGL with PCL-II, 212

Subnet mask
 Adapter Address Menu, 105
 Ethernet Address Menu, 109
 WLAN Address Menu, 112
 Supplies Department, 15, 337
 SURE SCAN menu
 Quiet Zone Fault, 248
 Switch Out On, Auto Switching submenu, 89
 Symbol Set Print, PCL-II Emulation, 233
 System Memory, DIAGNOSTICS, 263

T

TABLE MISMATCH DOWNLOAD AGAIN
 message, 314
 TCB CORRUPTED* message, 314
 TCP PORT BUSY message, 315
 Tear Bar Dist. (Distance), PRINTER
 CONTROL, 252
 Terminating resistor configurations, 275
 Terminating resistors
 location of, 276
 Test Width, DIAGNOSTICS, 262
 Ticket Lifetime, WLAN KERBEROS Menu, 118
 Timeout, Auto Switching submenu, 89
 TIP MISMATCH message, 315
 TOF Action
 Centronics (Parallel) submenu, 93
 Dataproducts submenu, 96
 IEEE 1284 Parallel (Bidirectional) Submenu, 90
 Translate Table, 133
 Translation Tbl, 128, 153
 SPC Twx Params, 156
 3270 Params menu, 143
 5250 Params menu, 150
 Transmit Data (TD), RS-232, 277
 Transmit Power, WLAN PARAMS Menu, 115
 Trickle Time
 Centronics (Parallel) submenu, 94
 Dataproducts submenu, 97
 IEEE 1284 Parallel (Bidirectional) Submenu, 91
 Trickle Time, Auto Switching submenu, 89
 True Form Slew, 206
 True Vert 1/10, 216

Trunc Dyn Data, 207
 Truncate Alpha, 216
 Truncate PI Slew, ANSI Emulation menu, 194
 Twinax Params menu, 135
 Active Char Set, 137
 Buffer Print, 140
 Cancel IGP/DCU, 137
 Char Set Select, 137
 Device Address, 137
 Device ID, 137
 Format Control, 140
 Graphic Chek Cod, 139
 Graphic Chek Err, 138
 Host Override, 139
 LAC Approx., 139
 LAC Option, 139
 Max. Print Width, 140
 Prt Partial Line, 137
 PTX Transparent, 138
 Set Text Orientn, 139
 5225 World Trade, 137

U

UNDEF INTERRUPT* message, 315
 UNDFNED OPCODE* message, 315
 Unidirectional, PRINTER CONTROL, 252
 UNKNOWN RBN1 message, 315
 Unload paper, 38
 Unsolicited Rpt, LG Emulation, 237
 UP DRV. SHORT* message, 315
 UP or DOWN key, 26
 UP + DOWN key, 27
 UPC Descenders, 202, 217
 Update PDF, 249
 Upr. Case Select, P-Series XQ Emulation, 174
 User-Def Ratio, 203
 Usr Defined HTRN, 130, 153
 Usr Defined HTRN, PTX Transparent, 138
 Usr Defined HTRN, SPC Type, 156
 UTF-8, 208

V

Var Form Adjust, 204
Var Form Type, 204
Vert Forms, 81
Vert Forms, LG Emulation, 235
Ver. Erase Zone, 248
VFU Select, 167
VFU Select, P-Series XQ Emulation, 173
VGL SFCC, 215
View Function, PRINTER CONTROL, 252
VIEW/EJECT key, 25
Voltage, 320
VPA Check, IPDS Emulation, 228

W

WAITING FOR ETHERNET ADAPTER
message, 315
Warnings, 14
Weight, printer, 318
WELD NOT DETECT message, 315
WELD RESET ERROR message, 315
WELD SNSR MISSING message, 315
WEP Key 1, WLAN PARAMS Menu, 116
WEP Key 2, WLAN PARAMS Menu, 116
WEP Key 3, WLAN PARAMS Menu, 116
WEP Key 4, WLAN PARAMS Menu, 116
Width Limit, 219
WLAN Address, 78
WLAN ADDRESS Menu, 112
 DHCP, 112
 Gateway address, 112
 IP address, 112
 MAC address, 112
 Subnet mask, 112
WLAN EAP Menu, 120
 EAP Mode, 120
 EAP Username, 120
 Reset EAP Password, 120
 Reset EAP User, 120

WLAN KERBEROS Menu, 117
 Clock Skew, 118
 KDC Port Number, 118
 Kerberos Enable, 117
 Kerb. Passwrd, 118
 Renew Lifetime, 118
 Reset Kerb. Pwd, 118
 Ticket Lifetime, 118
WLAN LEAP Menu, 119
 Auth Method, 119
 LEAP Password, 119, 120
 LEAP Username, 119
 Reset LEAP Password, 119
 Reset LEAP User, 119
WLAN PARAMS Menu, 113
 Antenna, 115
 Ant. Diversity, 115
 Auth Method, 116
 Channel, 114
 Default WEP Key, 116
 Internat. Mode, 115
 Min Xfer Rate, 114
 Operation Mode, 114
 Power Mgmt, 115
 Preamble, 115
 Reset SSID Name, 114
 Reset WEP Keys, 116
 Reset WPA P-Phs, 117
 Signal Strength, 114
 SSID Name, 114
 Transmit Power, 115
 WEP Key 1, 116
 WEP Key 2, 116
 WEP Key 3, 116
 WEP Key 4, 116
 WPA Cipher, 117
 WPA Mode, 116
 WPA P-Phs, 117
Word Length, Serial submenu, 100
WPA Cipher, WLAN PARAMS Menu, 117
WPA Mode, WLAN PARAMS Menu, 116
WPA P-Phs, WLAN PARAMS Menu, 117

X

x/y BARCODES / Not Found message, 291

Y

Year, DATE Menu, 264

Z

Zero Tear Pedestal (ZTP)

adjust paper guides, 326

clear paper jams, 335

forms type, 334

load paper, 328

menu, 333

overview, 325

paper jams, 335

position paper, 326

position paper out sensor, 330

set tear bar distance, 331

set top of form, 332

ZTP Data Time, 333

ZTP Function, 333

ZTP Platen Open, 334

ZTP TearDistance, 333

ZTP Wait Time, 333

ZTP Data Time, 78, 333

ZTP Function, 333

ZTP Platen Open, 334

ZTP TearDistance, 79, 333

ZTP Wait Time, 78, 333

/PDF, 74

06 HOST REQUEST message, 287

08 HOLD PRINT TIMEOUT message, 287

15 COMM CHECK message, 287

15V PWR FAIL * message, 287

20 CPI Condensed

Epson FX Emulation, 184

Proprinter XL Emulation, 180

22 INVALID ADDR message, 287

23.5V PWR FAIL * message, 287

31 PAPER OUT TIMEOUT message, 287

32 PAPER JAM TIMEOUT message, 287

3270 Params, 141

3270 Params menu

Active Char Set, 143

Change Case, 144

Compatibility Op, 145

Early Print Cmpl, 143

Format Control, 147

Host Override, 146

Intervention Req, 144

Max. Print Width, 147

Prt Partial Line, 143

PTX Transparent, 143

Set Text Orientn, 144

Translation Tbl, 143

33 PLATEN OPEN TIMOUT message, 287

34 RIBBON STALL TIMOUT message, 288

48V CIRCUIT* message, 288

48V PWR FAIL * message, 288

5225 World Trade, 137

5250 Params, 148

5250 Params menu

Active Char Set, 150

Format Control, 152

Graphic Chek Cod, 151

Graphic Chek Err, 151

Host Override, 151

Max. Print Width, 152

Prt Partial Line, 150

PTX Transparent, 150

Set Text Orientn, 151

Translation Tbl, 150

8.5V PWR FAIL * message, 287



254796-001G